

REVISIONS C (050502)

DRAWN BHK

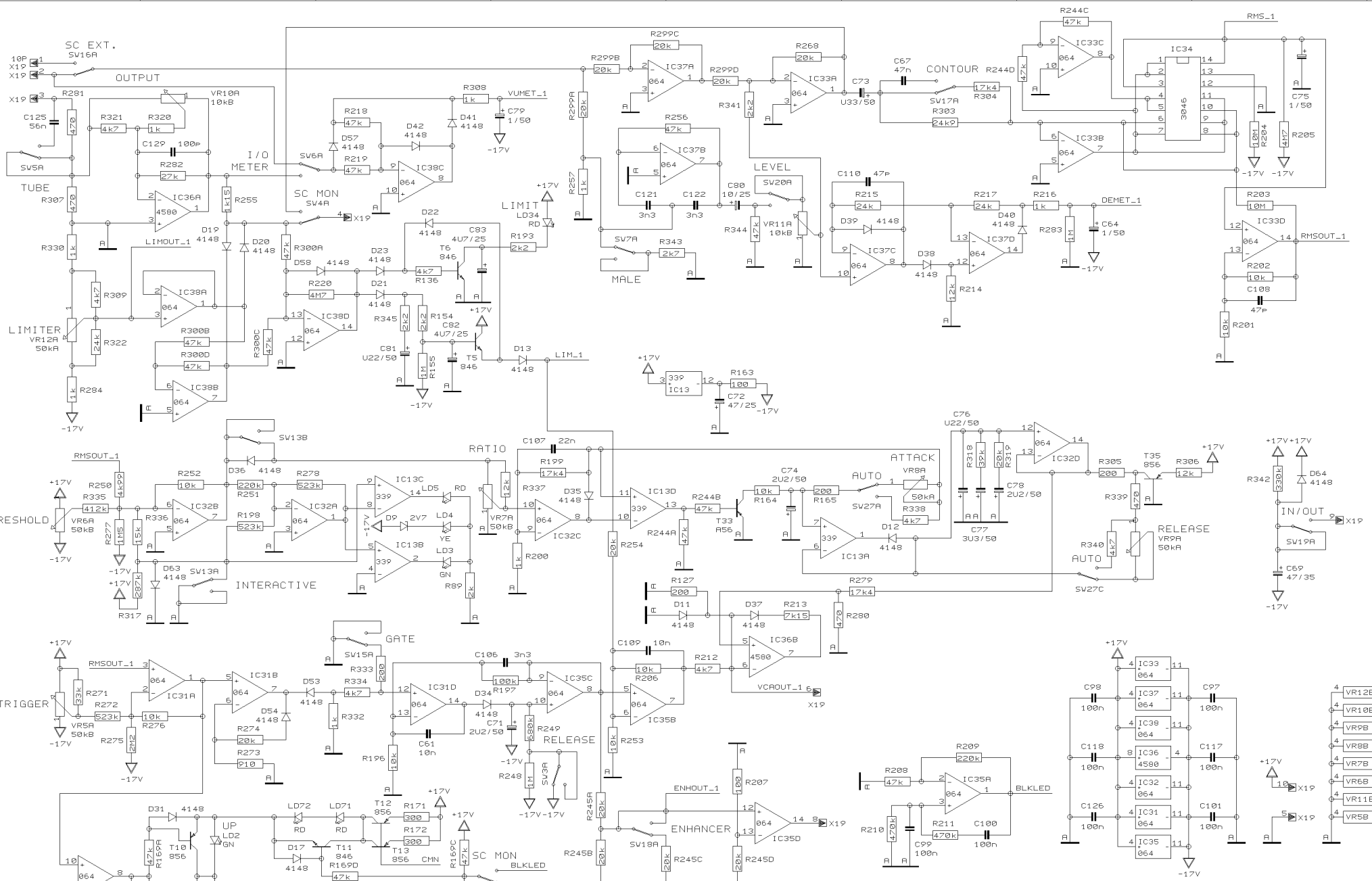
CHECKED

DATE 21.09. 4  
12:11



PROJECT MDX2600  
INPUT/OUTPUT SECTION  
CHANNEL 1&2

SHEET 1 OF 5 SHEETS TOTAL



REVISIONS C

DRAWN BHK

CHECKED

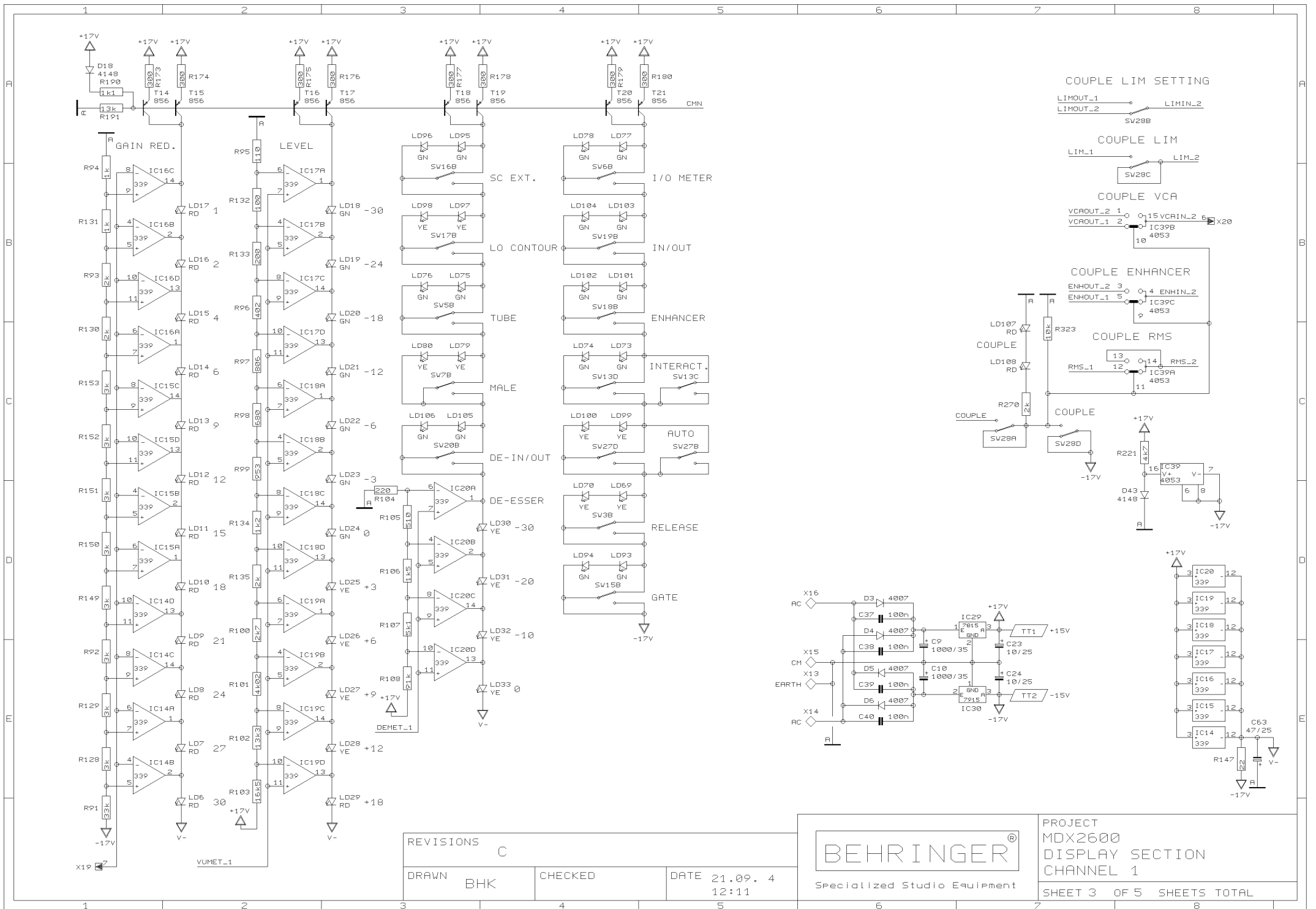
DATE 21.09. 4  
12:11

BEHRINGER®

Specialized Studio Equipment

PROJECT  
MDX2600  
SIDE CHAIN SECTION  
CHANNEL 1

SHEET 2 OF 5 SHEETS TOTAL



REVISIONS  
C

DRAWN BHK

CHECKED

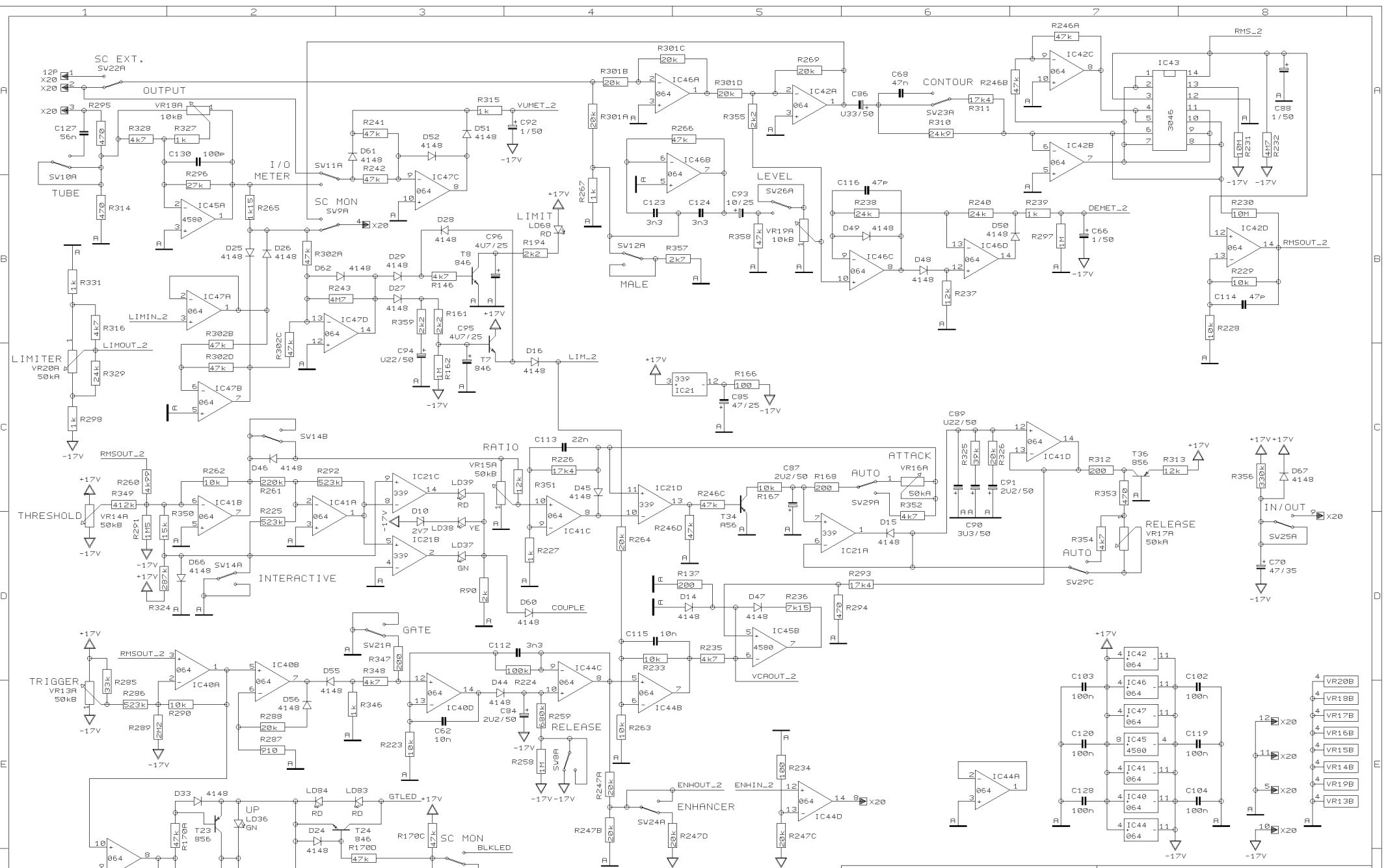
DATE 21.09. 4  
12:11

BEHRINGER®

Specialized Studio Equipment

PROJECT  
MDX2600  
DISPLAY SECTION  
CHANNEL 1

SHEET 3 OF 5 SHEETS TOTAL

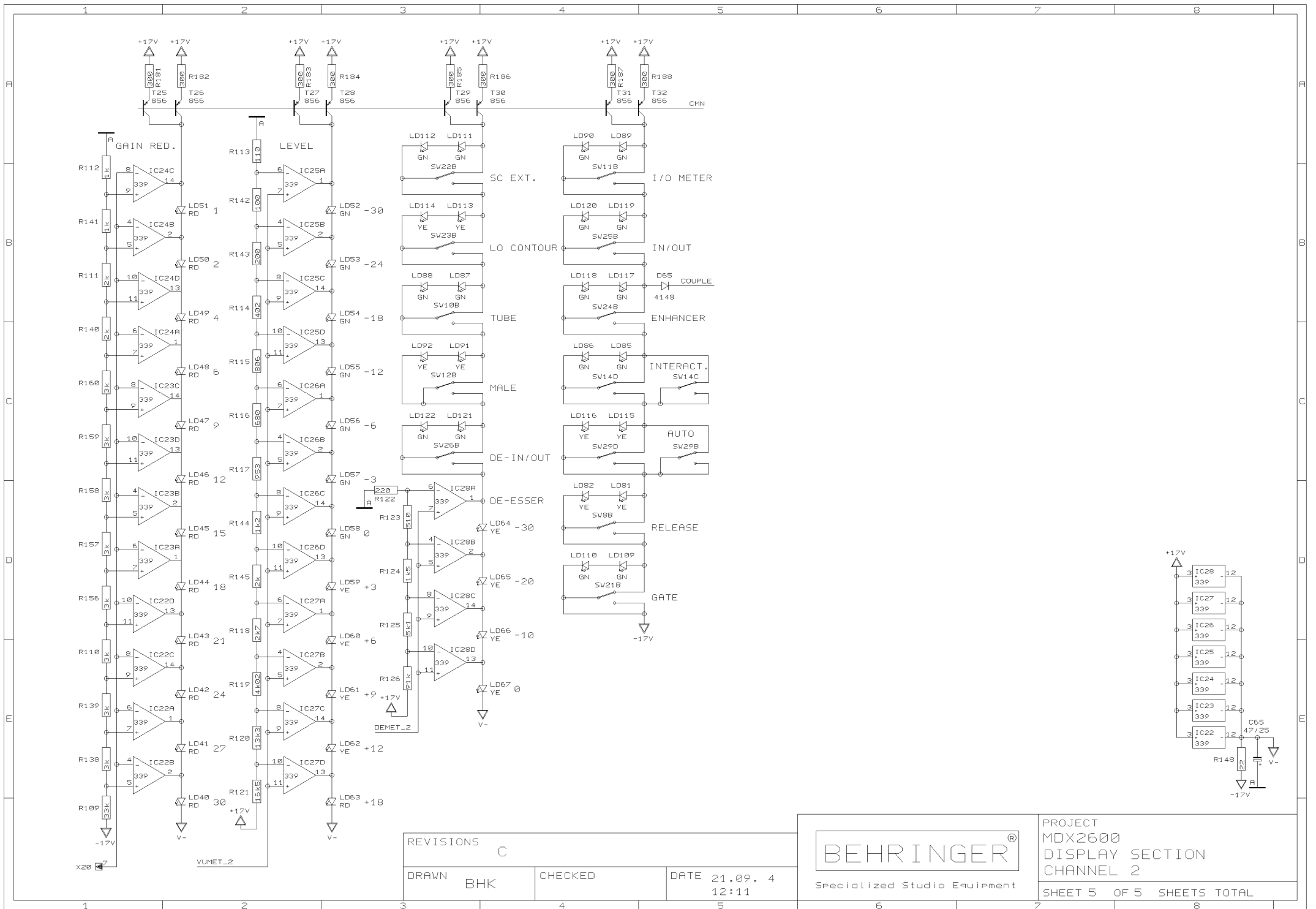


REVISIONS

DRAWN	BHK	CHECKED	DATE	21.09. 4
				12:11



PROJECT  
MDX2600  
SIDE CHAIN SECTION  
CHANNEL 2  
SHEET 4 OF 5 SHEETS TOTAL



REVISIONS  
C

DRAWN BHK

CHECKED

DATE 21.09. 4  
12:11

**BEHRINGER**<sup>®</sup>  
Specialized Studio Equipment

PROJECT  
MDX2600  
DISPLAY SECTION  
CHANNEL 2

SHEET 5 OF 5 SHEETS TOTAL