

REVISIONS			
REV	DESCRIPTION	DRAFTER	Q.C. AUTH.
1	REDRAWN; ADDED Y4, C157, & C158 PER ECO 960314-00	RWH 3/18/96	CW 4/2/96
2	CHANGED U23 SYMBOL AND SHEETS 11 & 12 PER ECO 960418-00	JMA 4/1/96	BAC 4/2/96
3	CHANGED NOTE 6 AND SHEETS 6 & 9 PER ECO 960502-00	RWH 4/19/96	CW 4/22/96
4	CHANGED SHEET 11 PER ECO 960626-00	JMA 4/22/96	BAC 4/19/96
5	CHANGED SHEET 9 PER ECO 960812-00. CHANGED SHEETS 9 & 12 PER ECO 960827-00	RWH 7/23/96	CW 7/24/96
6	CHANGED SHEET 7 PER ECO 970922-01 UPDATED ADDRESS ON ALL PAGES	BAC 9/11/96	BAC 9/11/96
7	CHANGED SHEET 6 PER ECO 980601-00	MTG 9/30/97	CW 10/16/97
8	CHANGED PER DCR 000414-00	JJF 10/8/97	BAC 10/16/97
9	CHANGED SHT. 10 PER ECO 000517-00	RWH 6/4/98	CW 6/5/98
10	CHANGED SHT. 10 PER ECO 000517-00-A	BAC 6/4/98	BAC 6/5/98
		RWH 4/17/00	CW 5/19/00
		ECM 5/18/00	ECM 5/22/00
		RWH 5/18/00	CW 5/22/00
		ECM 5/26/00	ECM 5/26/00

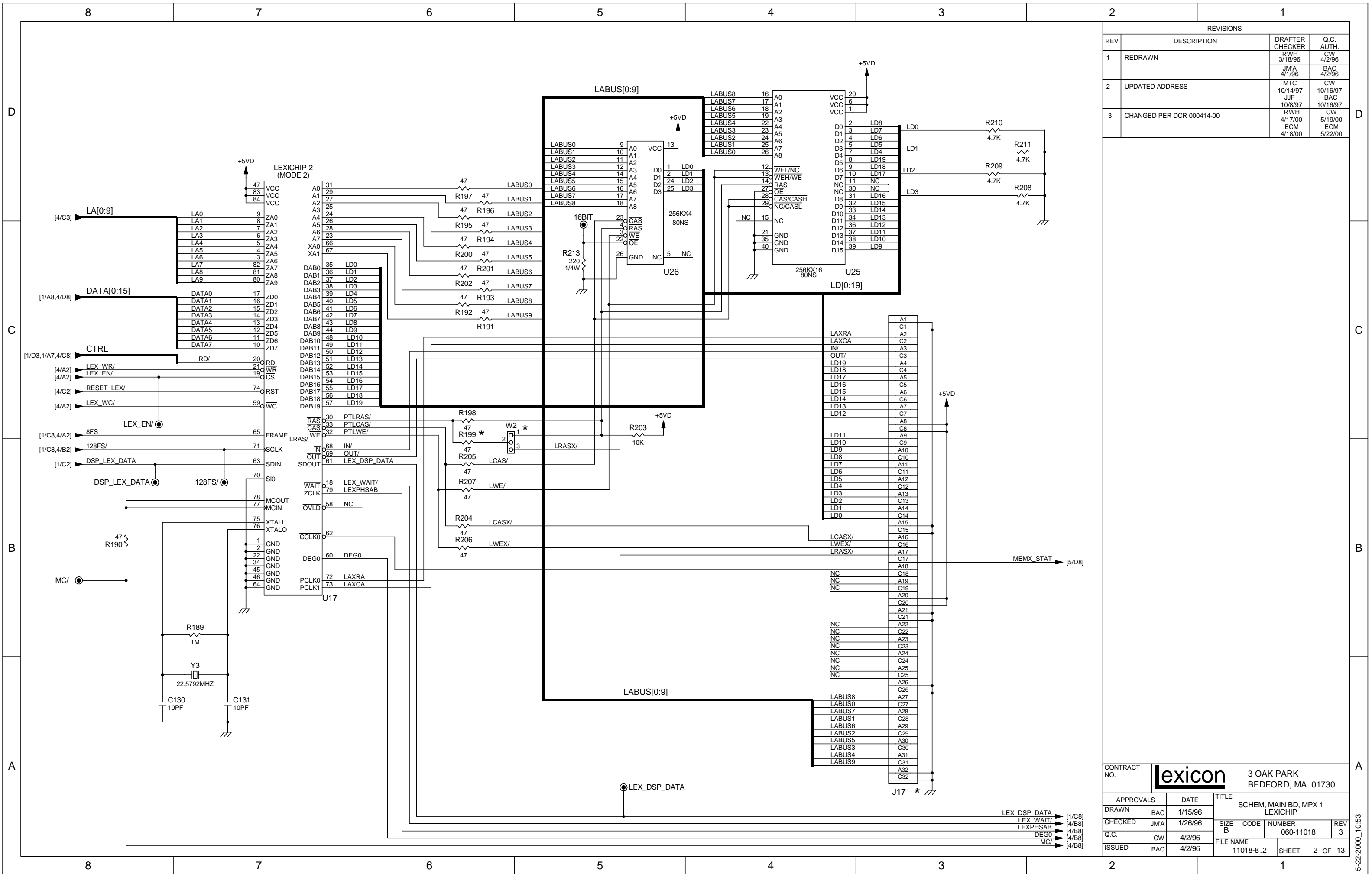
- NOTES**
- UNLESS OTHERWISE INDICATED, RESISTORS ARE 1/10W
  - UNLESS OTHERWISE INDICATED, RESISTORS ARE 5%
  - UNLESS OTHERWISE INDICATED, CAPACITORS ARE UV/F
  - DIGITAL GROUND ANALOG GROUND CHASSIS GROUND POWER GROUND
  - [XX/XX] DENOTES [SHEET NUMBER/SECTOR]
  - LAST REFERENCE DESIGNATORS USED: BAT1, C158, D22, FB19, J21, Q38, R261, SW1, U33, W2, Y4
  - COMPONENTS MARKED WITH \* ARE NOT INSTALLED.

DOCUMENT CONTROL BLOCK: #060-11018

SHEET NUMBER	REVISION NUMBER
1 OF 13	10
2 OF 13	3
3 OF 13	3
4 OF 13	3
5 OF 13	3
6 OF 13	5
7 OF 13	3
8 OF 13	3
9 OF 13	5
10 OF 13	5
11 OF 13	5
12 OF 13	5
13 OF 13	3

CONTRACT NO. **lexicon** 3 OAK PARK BEDFORD, MA 01730

APPROVALS	DATE	TITLE
DRAWN BAC	1/15/96	SCHEM, MAIN BD, MPX 1
CHECKED JM'A	1/26/96	Z80, DSP
Q.C. CW	4/2/96	SIZE B CODE NUMBER 060-11018 REV 10
ISSUED BAC	4/2/96	FILE NAME 11018-10.1 SHEET 1 OF 13

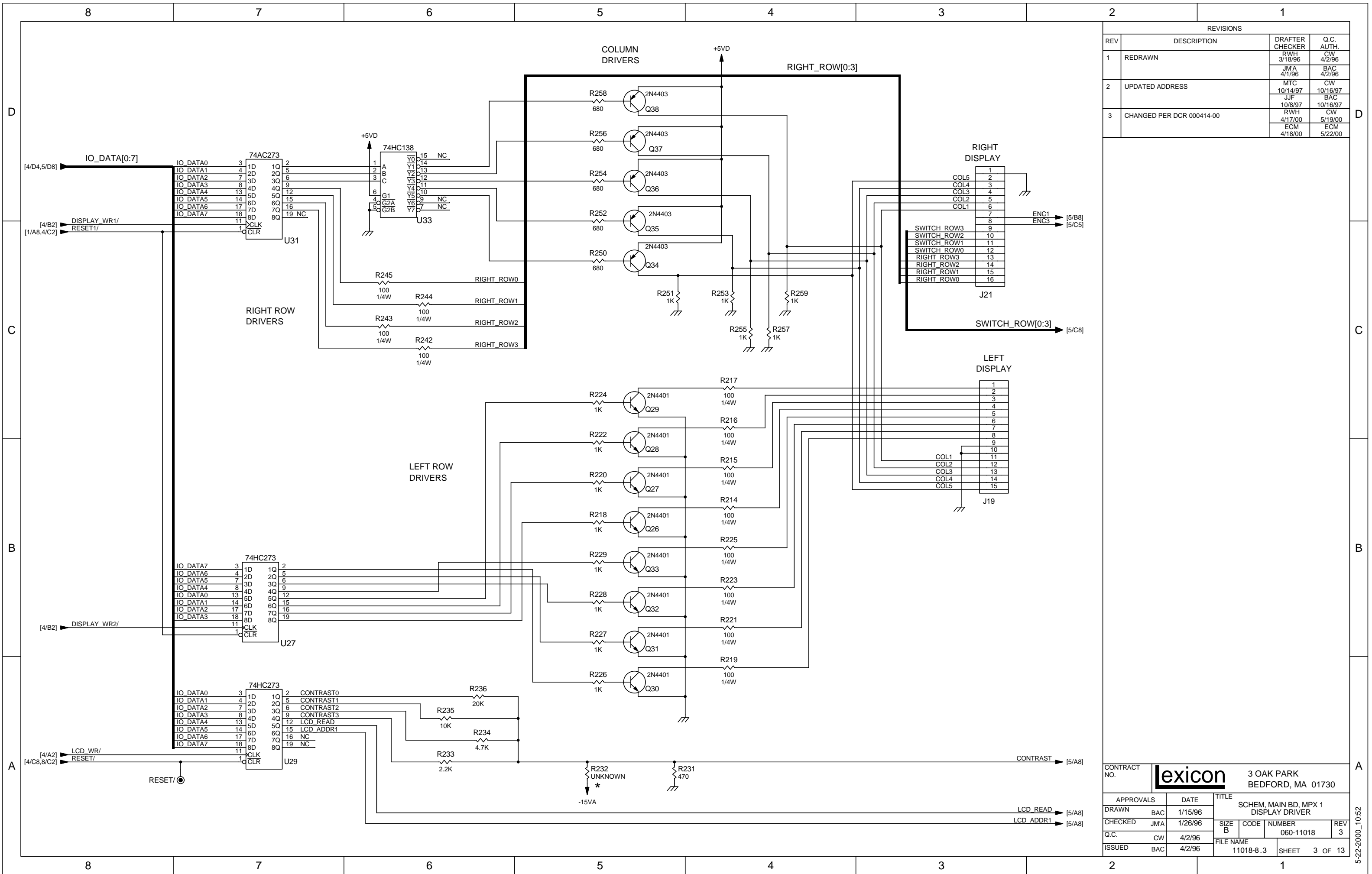


REVISIONS			
REV	DESCRIPTION	DRAFTER CHECKER	Q.C. AUTH.
1	REDRAWN	RWH 3/18/96	CW 4/2/96
2	UPDATED ADDRESS	JMA 4/1/96	BAC 4/2/96
3	CHANGED PER DCR 000414-00	MTC 10/14/97 JF 10/8/97	CW 10/16/97 BAC 10/16/97
		ECM 4/17/00	CW 5/19/00 ECM 5/22/00

CONTRACT NO.		<b>lexicon</b>		3 OAK PARK BEDFORD, MA 01730	
APPROVALS	DATE	TITLE			
DRAWN BAC	1/15/96	SCHEM, MAIN BD, MPX 1 LEXICHIP			
CHECKED JMA	1/26/96	SIZE B	CODE	NUMBER 060-11018	REV 3
Q.C. CW	4/2/96	FILE NAME		11018-8.2	
ISSUED BAC	4/2/96	SHEET		2 OF 13	

- ▶ LEX\_DSP\_DATA [1/C8]
- ▶ LEX\_WAIT [4/B8]
- ▶ LEXPHSAB [4/B8]
- ▶ DEGO [4/B8]
- ▶ MC [4/B8]

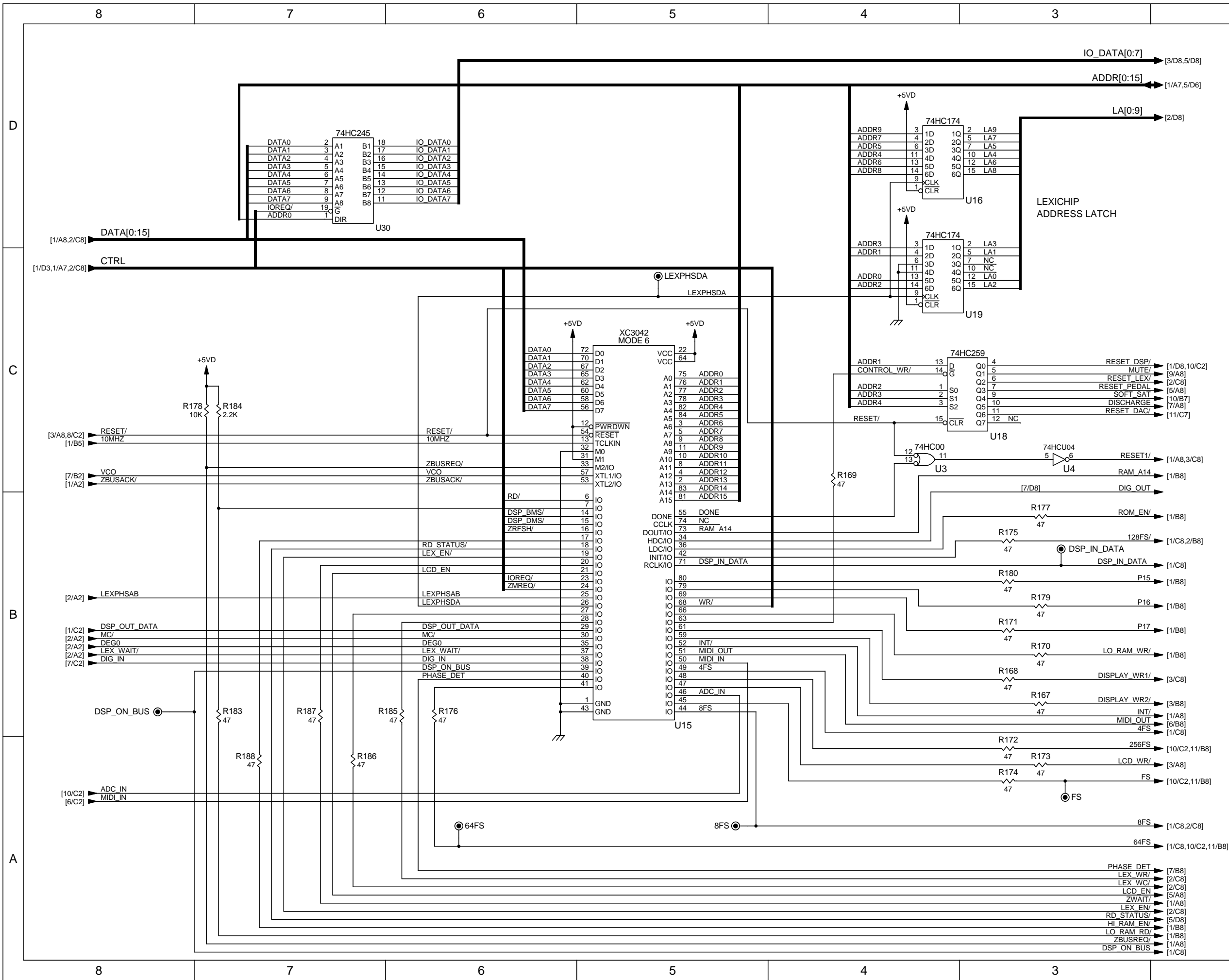
5-22-2000\_10:53



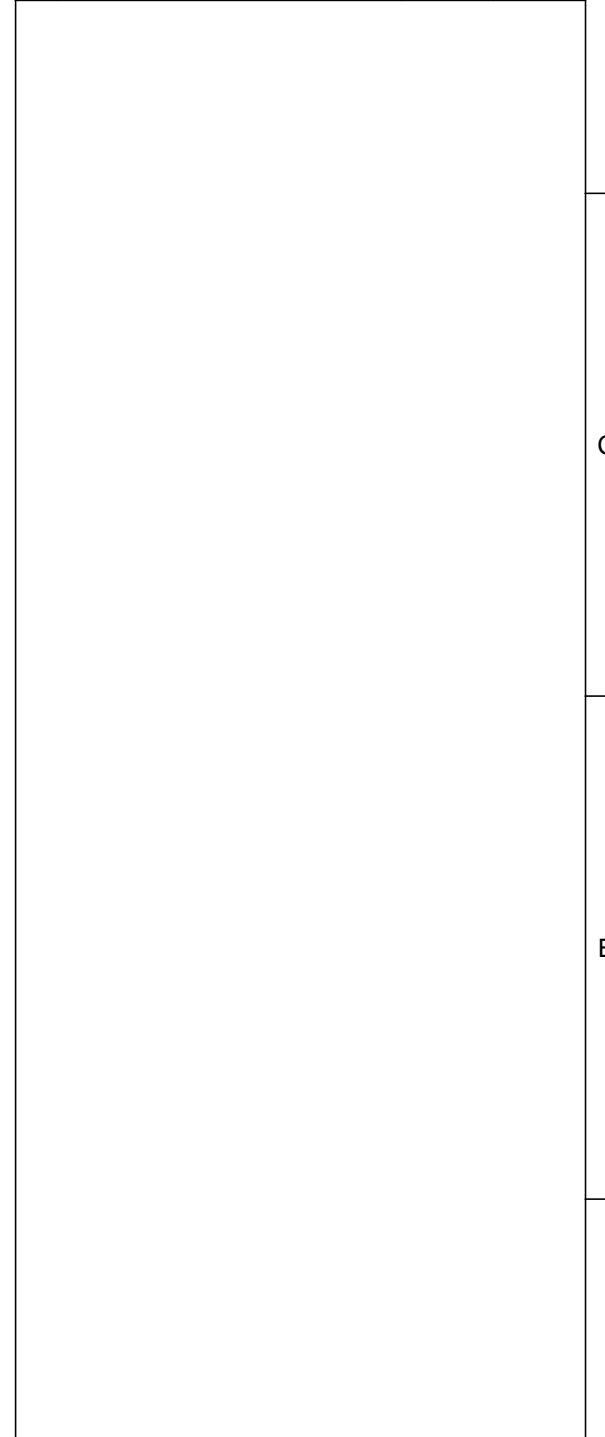
REVISIONS			
REV	DESCRIPTION	DRAFTER CHECKER	Q.C. AUTH.
1	REDRAWN	RWH 3/18/96 JMA 4/1/96	CW 4/2/96 BAC 4/2/96
2	UPDATED ADDRESS	MTC 10/14/97 JFJ 10/8/97	CW 10/16/97 BAC 10/16/97
3	CHANGED PER DCR 000414-00	RWH 4/17/00 ECM 4/18/00	CW 5/19/00 ECM 5/22/00

CONTRACT NO.		<b>lexicon</b>		3 OAK PARK BEDFORD, MA 01730	
APPROVALS	DATE	TITLE			
DRAWN BAC	1/15/96	SCHEM, MAIN BD, MPX 1 DISPLAY DRIVER			
CHECKED JMA	1/26/96	SIZE B	CODE	NUMBER	REV
Q.C. CW	4/2/96			060-11018	3
ISSUED BAC	4/2/96	FILE NAME		SHEET	
		11018-8.3		3 OF 13	

5-22-2000\_10:52

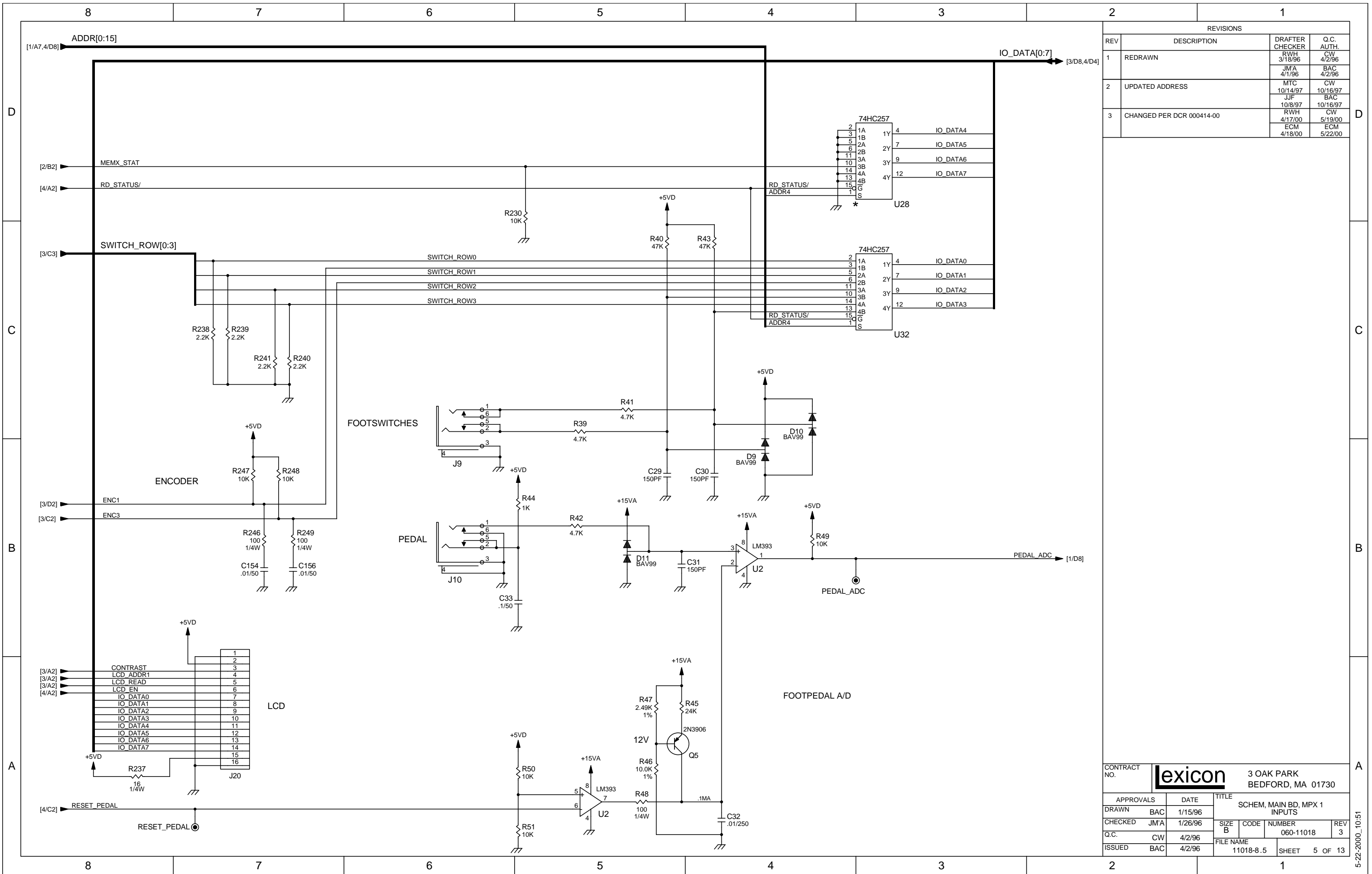


REVISIONS			
REV	DESCRIPTION	DRAFTER	Q.C. AUTH.
1	REDRAWN	RWH 3/18/96	CW 4/2/96
2	UPDATED ADDRESS	JMA 4/1/96	BAC 4/2/96
3	CHANGED PER DCR 000414-00	MTC 10/14/97 JMF 10/8/97 RWH 4/17/00 ECM 4/18/00	CW 10/16/97 BAC 10/16/97 CW 5/19/00 ECM 5/22/00



CONTRACT NO.	<b>lexicon</b>		3 OAK PARK BEDFORD, MA 01730	
APPROVALS	DATE	TITLE		
DRAWN BAC	1/15/96	SCHEM, MAIN BD, MPX 1 FPGA		
CHECKED JM'A	1/26/96	SIZE B	CODE	NUMBER
Q.C. CW	4/2/96			060-11018
ISSUED BAC	4/2/96	FILE NAME	REV 3	
		11018-8.4	SHEET 4 OF 13	

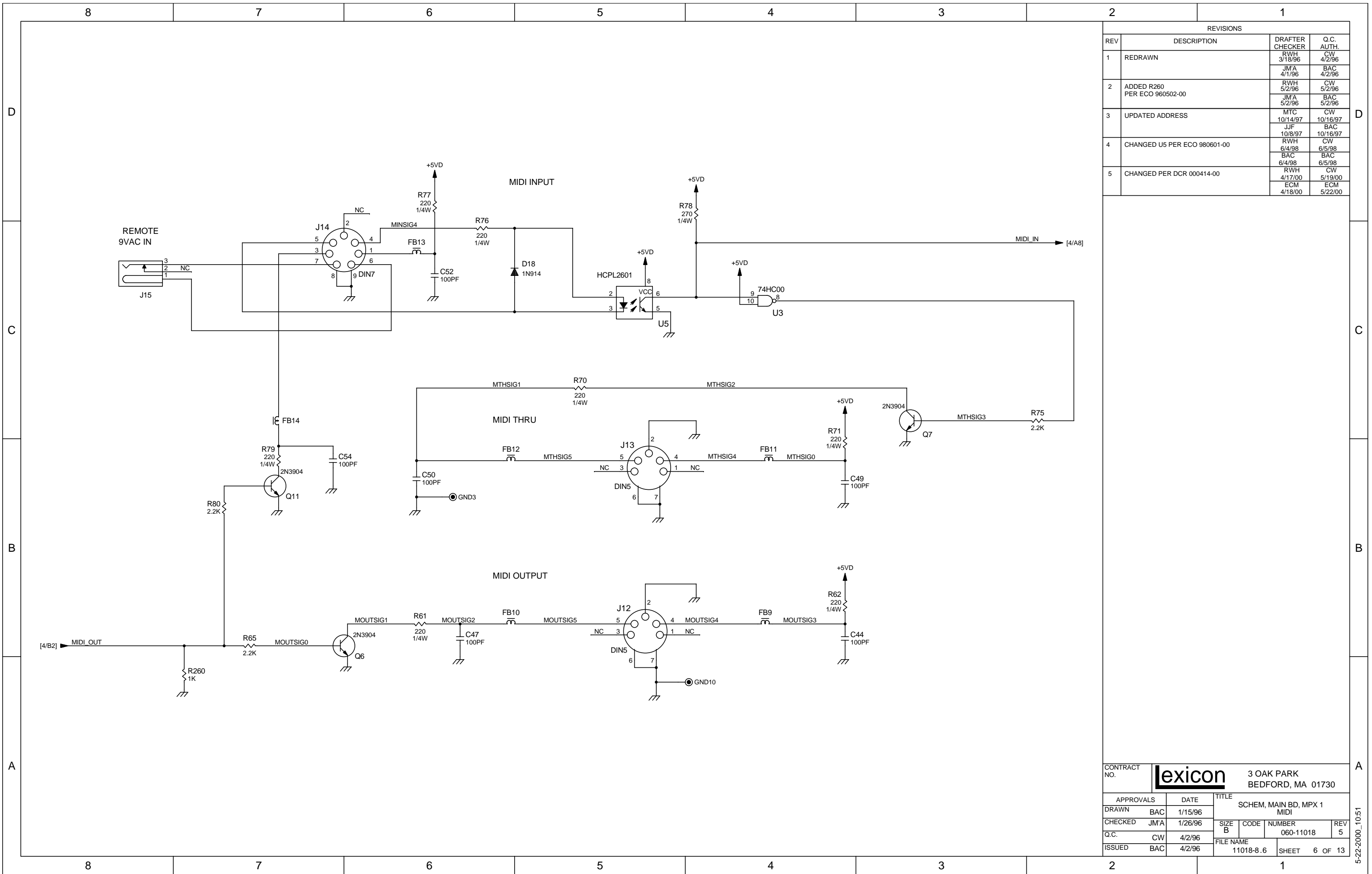
5-22-2000\_10:51



REVISIONS			
REV	DESCRIPTION	DRAFTER CHECKER	Q.C. AUTH.
1	REDRAWN	RWH 3/18/96	CW 4/2/96
2	UPDATED ADDRESS	JMA 4/1/96	BAC 4/2/96
3	CHANGED PER DCR 000414-00	MTC 10/14/97 JF 10/8/97	CW 10/16/97 BAC 10/16/97
		ECM 4/17/00	CW 5/19/00 ECM 5/22/00

CONTRACT NO.		<b>lexicon</b>		3 OAK PARK BEDFORD, MA 01730	
APPROVALS	DATE	TITLE			
DRAWN	BAC	SCHEM, MAIN BD, MPX 1 INPUTS			
CHECKED	JM'A	SIZE	CODE	NUMBER	REV
Q.C.	CW	B		060-11018	3
ISSUED	BAC	FILE NAME	SHEET		
		11018-8.5	5 OF 13		

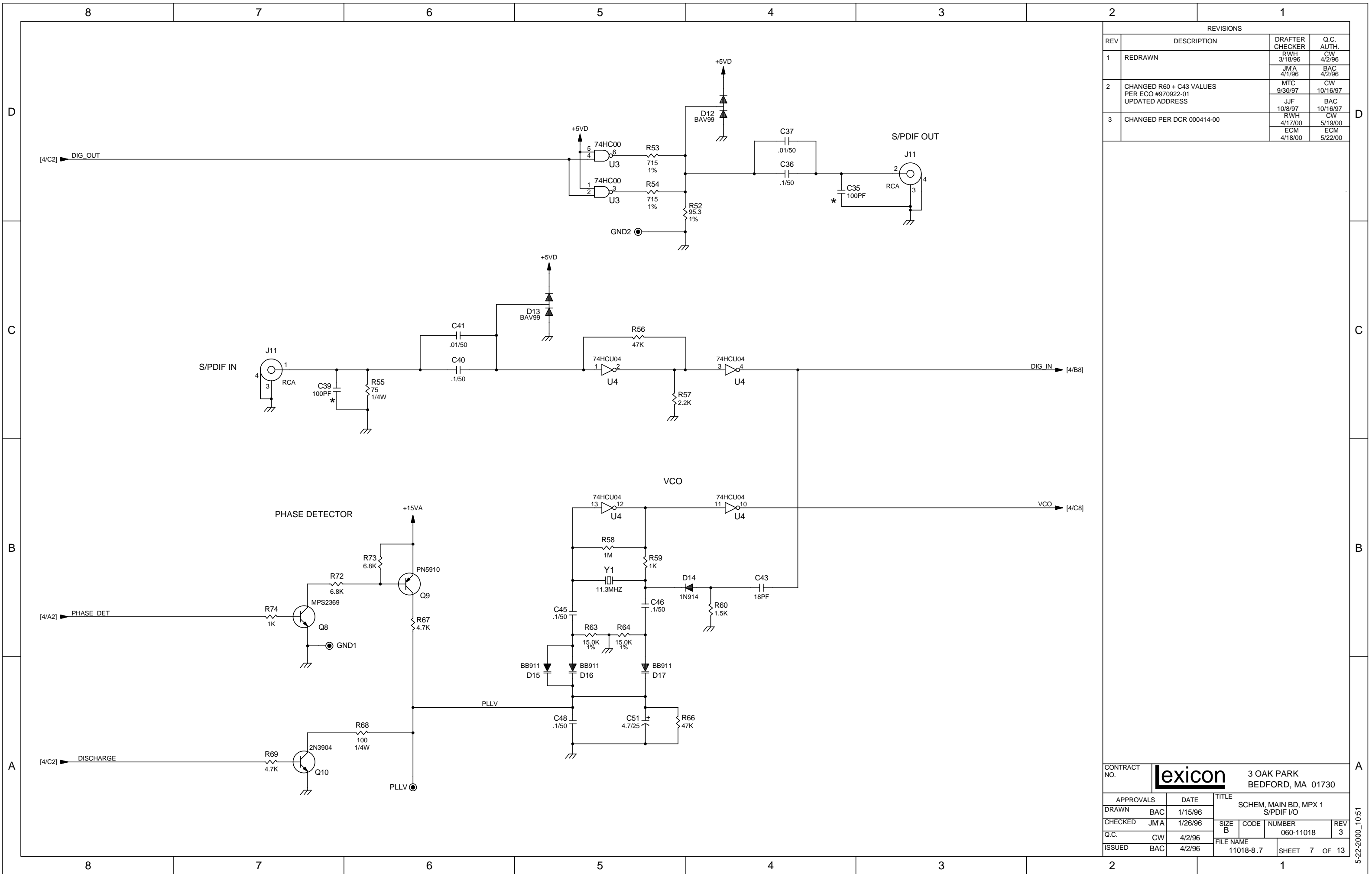
5-22-2000\_10:51



REVISIONS			
REV	DESCRIPTION	DRAFTER	Q.C. AUTH.
1	REDRAWN	RWH 3/18/96	CW 4/2/96
		JMA 4/1/96	BAC 4/2/96
2	ADDED R260 PER ECO 960502-00	RWH 5/2/96	CW 5/2/96
		JMA 5/2/96	BAC 5/2/96
3	UPDATED ADDRESS	MTC 10/14/97	CW 10/16/97
		JF 10/8/97	BAC 10/16/97
		RWH 10/8/97	CW 10/16/97
4	CHANGED U5 PER ECO 980601-00	RWH 6/4/98	CW 6/5/98
		BAC 6/4/98	BAC 6/5/98
		RWH 6/4/98	CW 6/5/98
		BAC 6/4/98	BAC 6/5/98
5	CHANGED PER DCR 000414-00	RWH 4/17/00	CW 5/19/00
		ECM 4/18/00	ECM 5/22/00
		RWH 4/17/00	CW 5/19/00
		ECM 4/18/00	ECM 5/22/00

CONTRACT NO.		<b>lexicon</b>		3 OAK PARK BEDFORD, MA 01730	
APPROVALS	DATE	TITLE			
DRAWN	BAC	1/15/96	SCHEM, MAIN BD, MPX 1 MIDI		
CHECKED	JM'A	1/26/96	SIZE	CODE	NUMBER
Q.C.	CW	4/2/96	B		060-11018
ISSUED	BAC	4/2/96	FILE NAME	11018-8.6	
				SHEET	6 OF 13

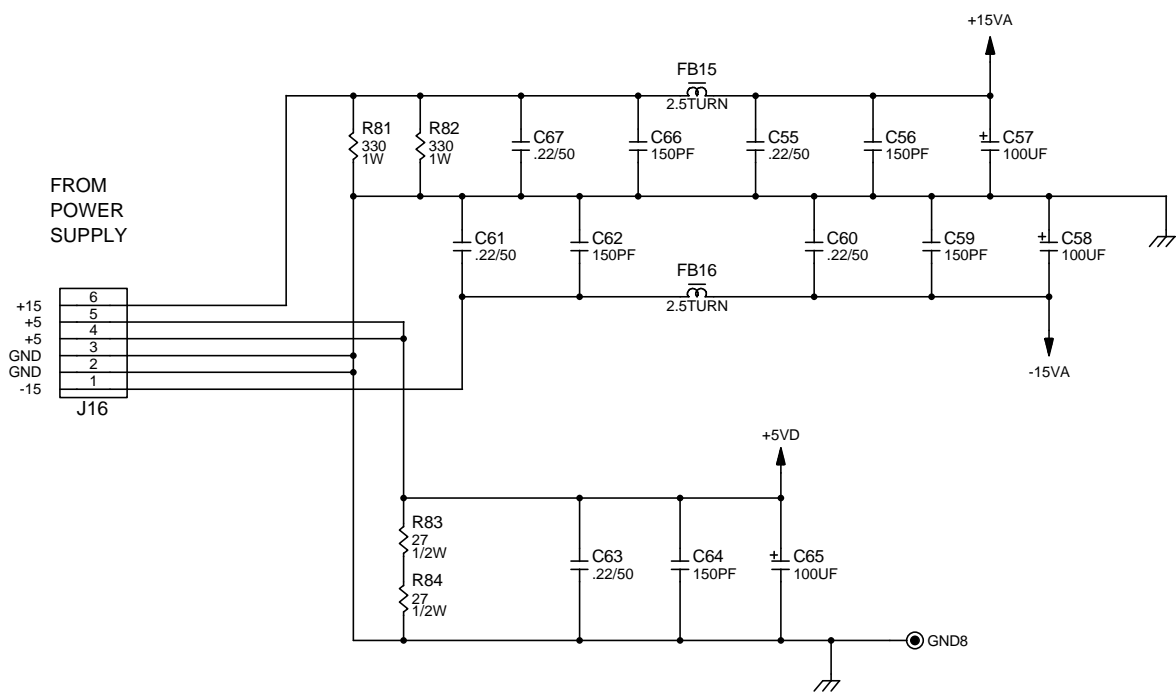
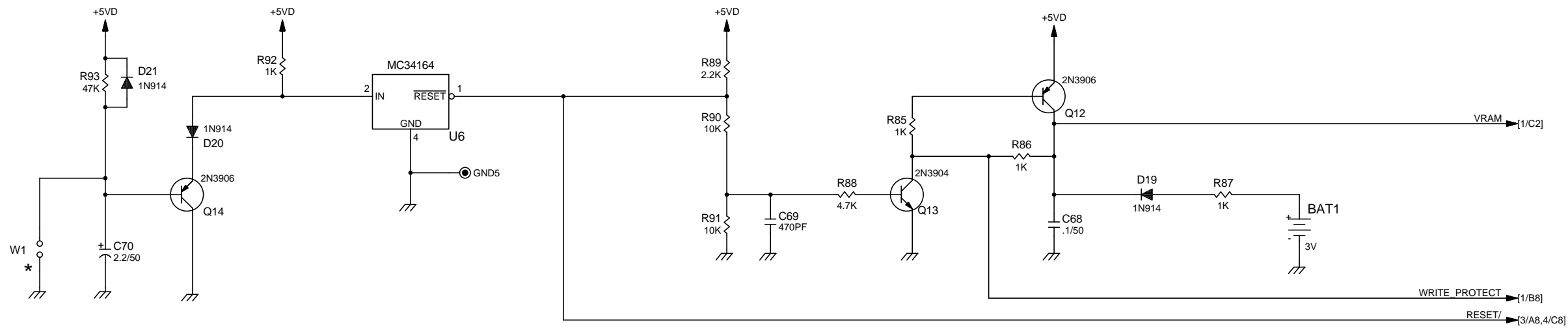
5-22-2000\_10:51



REVISIONS			
REV	DESCRIPTION	DRAFTER	Q.C. AUTH.
1	REDRAWN	RWH 3/18/96	CW 4/2/96
2	CHANGED R60 + C43 VALUES PER ECO #970922-01 UPDATED ADDRESS	JMA 4/1/96	BAC 4/2/96
		MTC 9/30/97	CW 10/16/97
3	CHANGED PER DCR 000414-00	JJF 10/8/97	BAC 10/16/97
		RWH 4/17/00	CW 5/19/00
		ECM 4/18/00	ECM 5/22/00

CONTRACT NO.		<b>lexicon</b>		3 OAK PARK BEDFORD, MA 01730	
APPROVALS	DATE	TITLE			
DRAWN BAC	1/15/96	SCHEM, MAIN BD, MPX 1 S/PDIF I/O			
CHECKED JM'A	1/26/96	SIZE B	CODE	NUMBER 060-11018	REV 3
Q.C. CW	4/2/96	FILE NAME		11018-8.7	
ISSUED BAC	4/2/96	SHEET		7 OF 13	

5-22-2000\_10:51

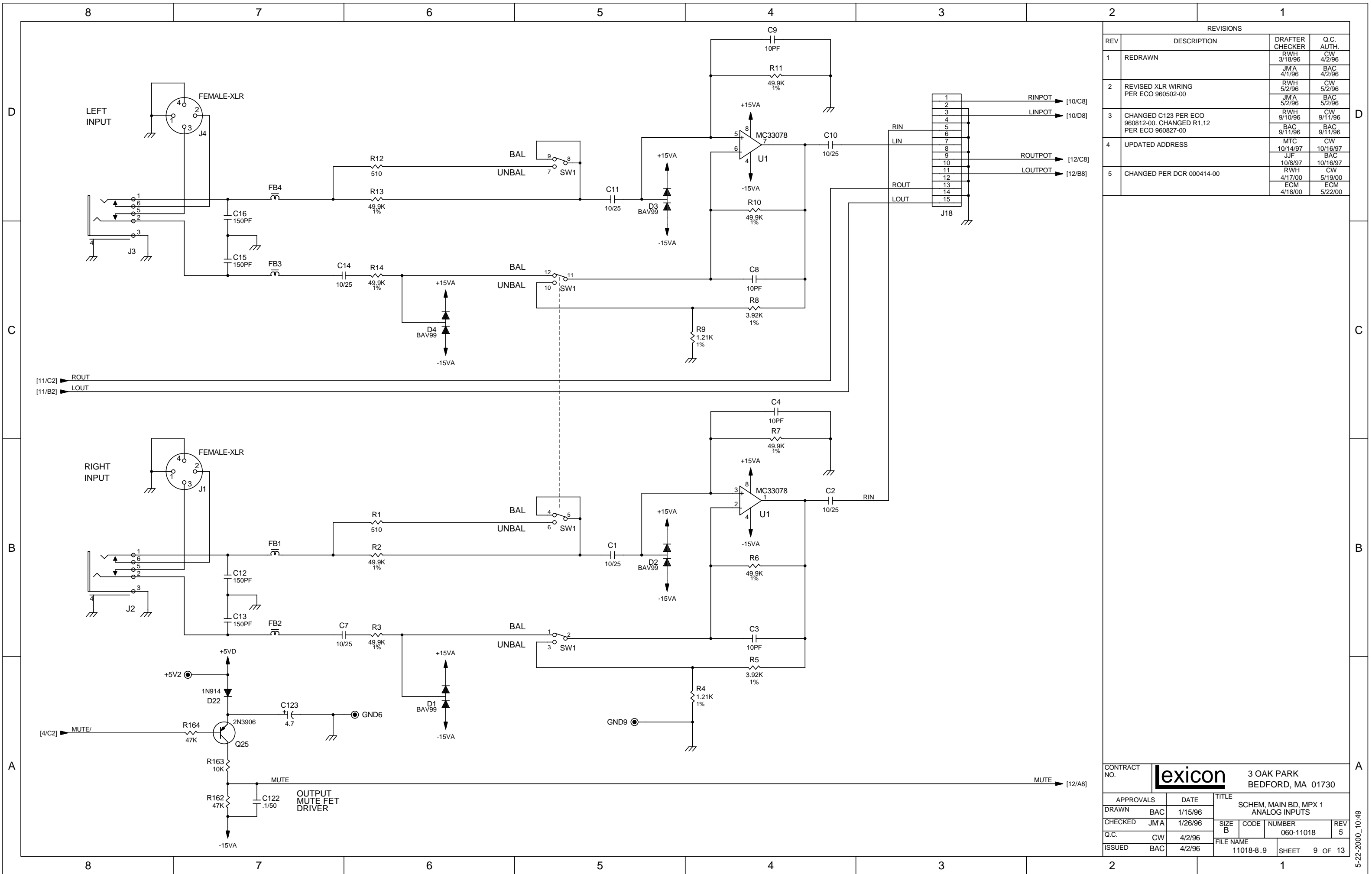


REVISIONS			
REV	DESCRIPTION	DRAFTER CHECKER	Q.C. AUTH.
1	REDRAWN	RWH 3/18/96 JMA 4/1/96	CW 4/2/96 BAC 4/2/96
2	UPDATED ADDRESS	MTC 10/14/97 JF 10/8/97	CW 10/16/97 BAC 10/16/97
3	CHANGED PER DCR 000414-00	RWH 4/17/00 ECM 4/18/00	CW 5/19/00 ECM 5/22/00

CONTRACT NO.		<b>lexicon</b>		3 OAK PARK BEDFORD, MA 01730	
APPROVALS	DATE	TITLE			
DRAWN	BAC	SCHEM, MAIN BD, MPX 1 RESET, PS			
CHECKED	JM'A	SIZE	CODE	NUMBER	REV
Q.C.	CW	B		060-11018	3
ISSUED	BAC	FILE NAME		SHEET	
		11018-8.8		8 OF 13	

5-22-2000\_10:50

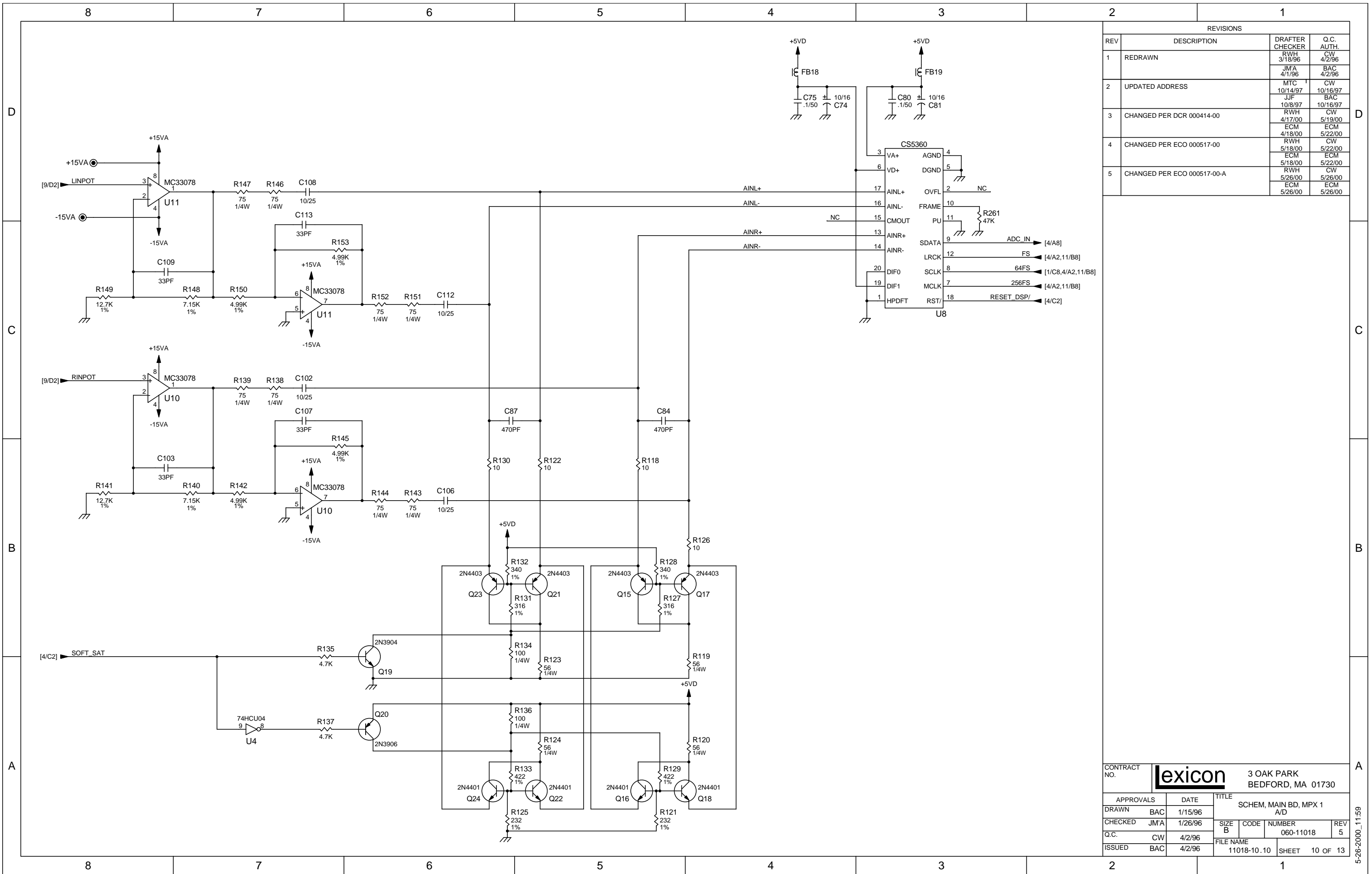




REVISIONS					
REV	DESCRIPTION	DRAFTER	CHECKER	Q.C. AUTH.	
1	REDRAWN	RWH	3/18/96	CW	4/2/96
		JMA	4/1/96	BAC	4/2/96
2	REVISED XLR WIRING PER ECO 960502-00	RWH	5/2/96	CW	5/2/96
		JMA	5/2/96	BAC	5/2/96
3	CHANGED C123 PER ECO 960812-00. CHANGED R1,12 PER ECO 960827-00	RWH	9/10/96	CW	9/11/96
		BAC	9/11/96	BAC	9/11/96
4	UPDATED ADDRESS	MTC	10/14/97	CW	10/16/97
		JJF	10/8/97	BAC	10/16/97
		RWH	10/8/97	CW	10/16/97
5	CHANGED PER DCR 000414-00	RWH	4/17/00	CW	5/19/00
		ECM	4/18/00	ECM	5/22/00

CONTRACT NO.		<b>lexicon</b> 3 OAK PARK BEDFORD, MA 01730		
APPROVALS	DATE	TITLE		
DRAWN BAC	1/15/96	SCHEM, MAIN BD, MPX 1 ANALOG INPUTS		
CHECKED JM'A	1/26/96	SIZE B	CODE	NUMBER
Q.C. CW	4/2/96			060-11018
ISSUED BAC	4/2/96	FILE NAME	REV 5	
		11018-8.9	SHEET	9 OF 13

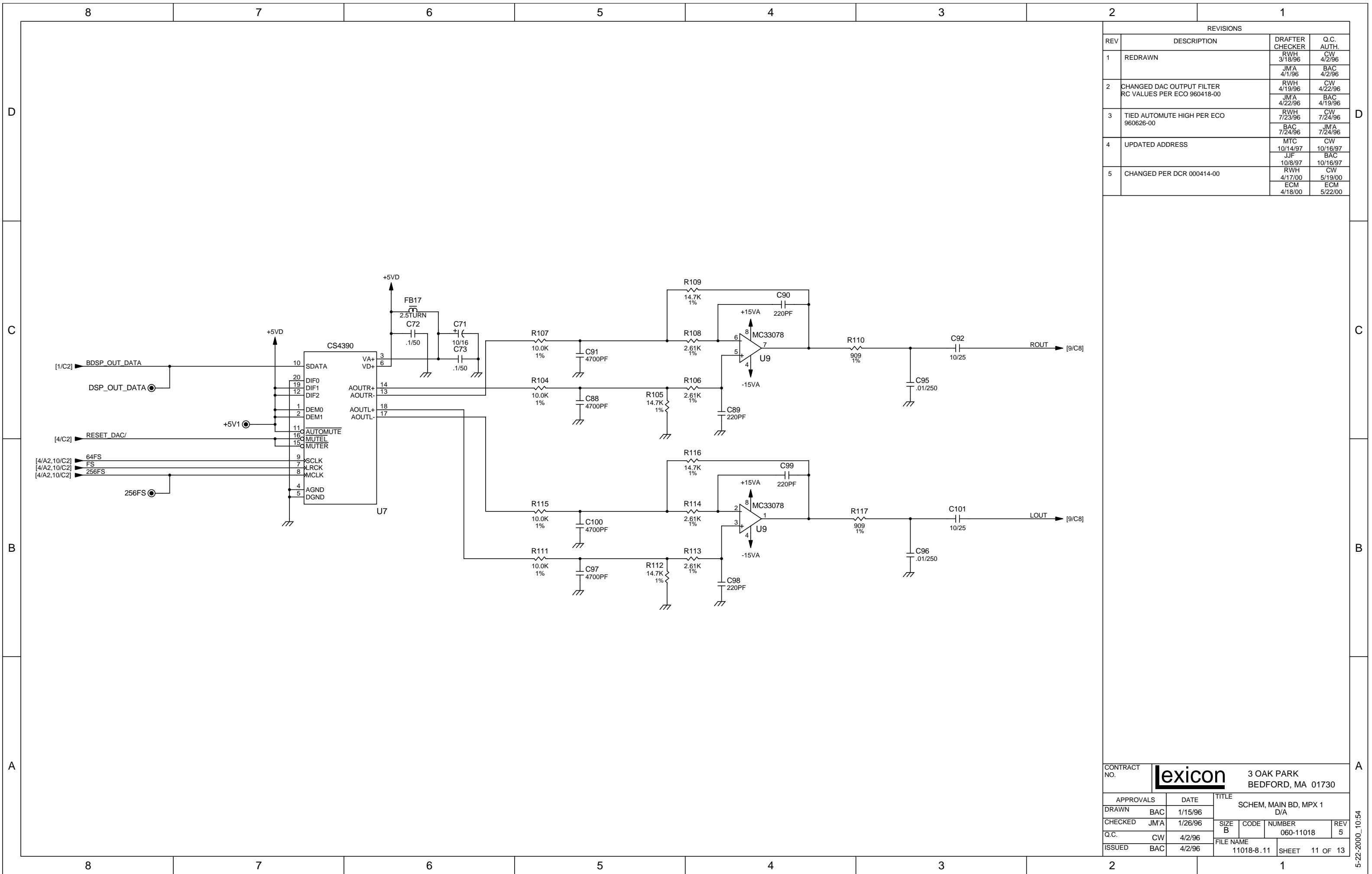
5-22-2000\_10:49



REVISIONS			
REV	DESCRIPTION	DRAFTER	Q.C. AUTH.
1	REDRAWN	RWH 3/18/96	CW 4/2/96
2	UPDATED ADDRESS	JMA 4/1/96	BAC 4/2/96
3	CHANGED PER DCR 000414-00	MTC 10/14/97	CW 10/16/97
4	CHANGED PER ECO 000517-00	JF 10/8/97	BAC 10/16/97
5	CHANGED PER ECO 000517-00-A	RWH 4/17/00	CW 5/19/00
		ECM 4/18/00	ECM 5/22/00
		RWH 5/18/00	CW 5/22/00
		ECM 5/18/00	ECM 5/22/00
		RWH 5/26/00	CW 5/26/00
		ECM 5/26/00	ECM 5/26/00

CONTRACT NO.		<b>lexicon</b>		3 OAK PARK BEDFORD, MA 01730	
APPROVALS	DATE	TITLE			
DRAWN	BAC	SCHEM, MAIN BD, MPX 1			
CHECKED	JM'A	SIZE	CODE	NUMBER	REV
Q.C.	CW	B		060-11018	5
ISSUED	BAC	FILE NAME	SHEET		
		11018-10.10	10 OF 13		

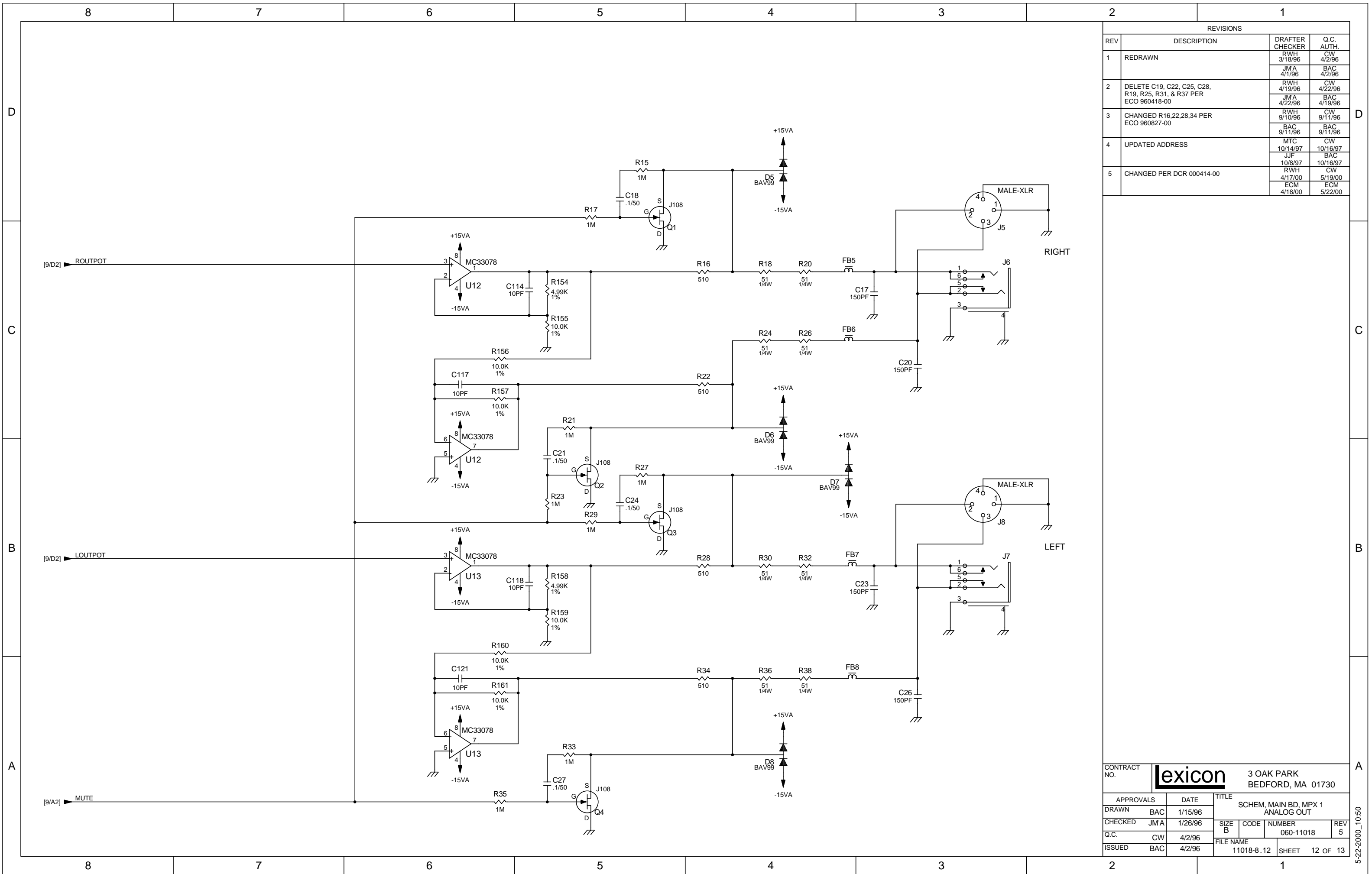
5-26-2000\_11:59



REVISIONS			
REV	DESCRIPTION	DRAFTER	Q.C. AUTH.
1	REDRAWN	RWH 3/18/96	CW 4/2/96
		JMA 4/1/96	BAC 4/2/96
2	CHANGED DAC OUTPUT FILTER RC VALUES PER ECO 960418-00	RWH 4/19/96	CW 4/22/96
		JMA 4/22/96	BAC 4/19/96
3	TIED AUTOMUTE HIGH PER ECO 960626-00	RWH 7/23/96	CW 7/24/96
		BAC 7/24/96	JMA 7/24/96
4	UPDATED ADDRESS	MTC 10/14/97	CW 10/16/97
		JJF 10/8/97	BAC 10/16/97
5	CHANGED PER DCR 000414-00	RWH 4/17/00	CW 5/19/00
		ECM 4/18/00	ECM 5/22/00

CONTRACT NO.		<b>lexicon</b>		3 OAK PARK BEDFORD, MA 01730	
APPROVALS	DATE	TITLE			
DRAWN	BAC	1/15/96	SCHEM, MAIN BD, MPX 1		
CHECKED	JM'A	1/26/96	D/A		
Q.C.	CW	4/2/96	SIZE	CODE	NUMBER
ISSUED	BAC	4/2/96	B		060-11018
FILE NAME			REV		
11018-8.11			5		
SHEET			11 OF 13		

5-22-2000\_10:54

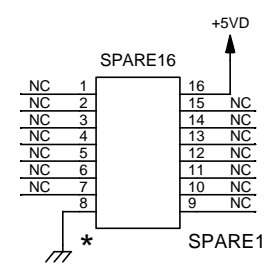
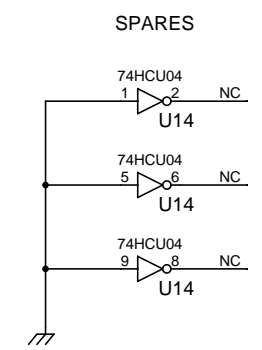
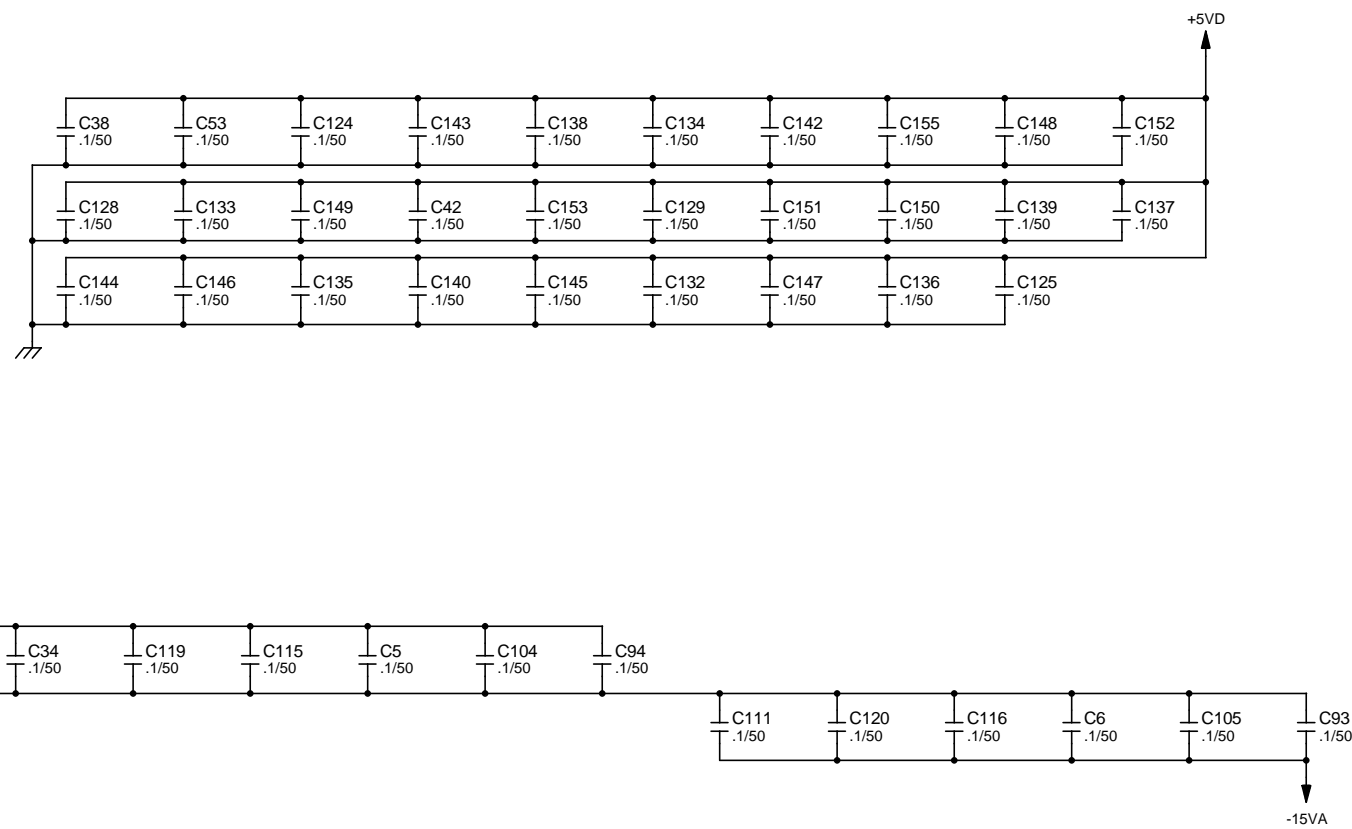


REVISIONS			
REV	DESCRIPTION	DRAFTER	Q.C. AUTH.
1	REDRAWN	RWH 3/18/96	CW 4/2/96
2	DELETE C19, C22, C25, C28, R19, R25, R31, & R37 PER ECO 960418-00	JMA 4/1/96	BAC 4/2/96
3	CHANGED R16,22,28,34 PER ECO 960827-00	RWH 4/19/96	CW 4/22/96
4	UPDATED ADDRESS	RWH 9/10/96	CW 9/11/96
5	CHANGED PER DCR 000414-00	BAC 9/11/96	BAC 9/11/96
		MTC 10/14/97	CW 10/16/97
		JJF 10/8/97	BAC 10/16/97
		RWH 4/17/00	CW 5/19/00
		ECM 4/18/00	ECM 5/22/00

CONTRACT NO.		<b>lexicon</b>		3 OAK PARK BEDFORD, MA 01730	
APPROVALS	DATE	TITLE			
DRAWN BAC	1/15/96	SCHEM, MAIN BD, MPX 1 ANALOG OUT			
CHECKED JM'A	1/26/96	SIZE	CODE	NUMBER	REV
Q.C. CW	4/2/96	B		060-11018	5
ISSUED BAC	4/2/96	FILE NAME		SHEET	
		11018-8.12		12 OF 13	

5-22-2000\_10:50

REVISIONS			
REV	DESCRIPTION	DRAFTER CHECKER	Q.C. AUTH.
1	REDRAWN	RWH 3/18/96	CW 4/2/96
		JMA 4/1/96	BAC 4/2/96
2	UPDATED ADDRESS	MTC 10/14/97	CW 10/16/97
		JJF 10/8/97	BAC 10/16/97
		RWH 4/17/00	CW 5/19/00
3	CHANGED PER DCR 000414-00	ECM 4/18/00	ECM 5/22/00



CONTRACT NO.		<b>lexicon</b>		3 OAK PARK BEDFORD, MA 01730	
APPROVALS	DATE	TITLE			
DRAWN BAC	1/15/96	SCHEM, MAIN BD, MPX 1 BYPASS, SPARES			
CHECKED JM'A	1/26/96	SIZE	CODE	NUMBER	REV
Q.C. CW	4/2/96	B		060-11018	3
ISSUED BAC	4/2/96	FILE NAME		SHEET	
		11018-8-.13		13 OF 13	

5-22-2000\_10:50