

SERVICE MANUAL

MUSIC WORKSTATION

M1

CONTENTS

1. SPECIFICATIONS	2
2. STRUCTURAL DIAGRAM	3
3. BLOCK DIAGRAM	6
4. CIRCUIT DIAGRAM	7
5. P. C. BOARD	15
6. REFERENCE DATA	19
7. PARTS LIST	26

KORG

1. SPECIFICATIONS

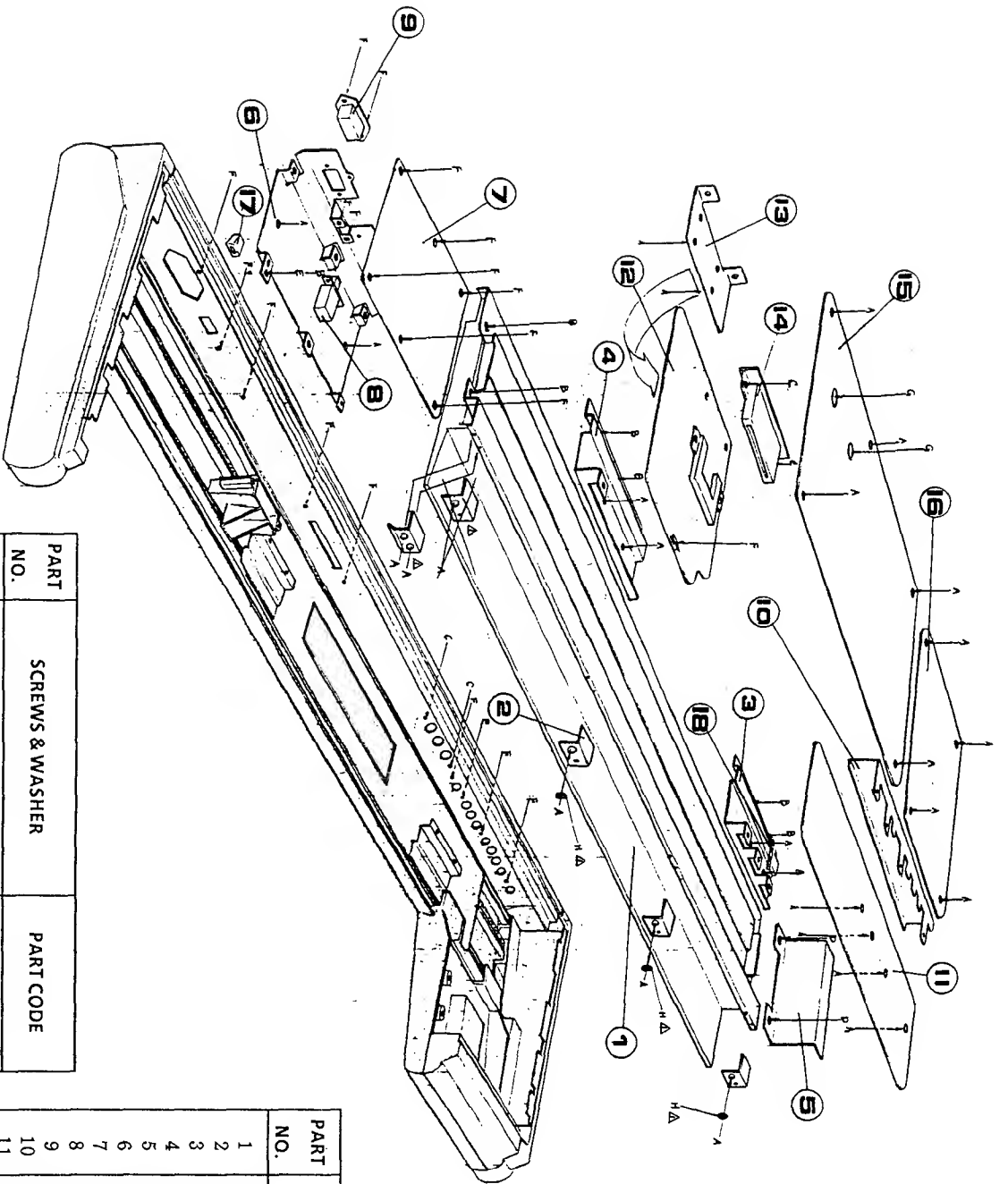
Sound generation method	:	AI Synthesis system (full digital sound processing)
Sound source	:	16 voice, 16 oscillator (Single mode)
	:	8 voice, 16 oscillator (Double mode)
Keyboard	:	61 key (with initial and after touch)
Waveform memory	:	PCM; 2 Mword (4 Mbyte)
Quantization	:	16 bit
Effect section	:	2-system digital multi-effects
Program memory capacity	:	100 Programs* ¹
Combination memory capacity	:	100 Combinations* ¹
Sequencer section	:	10 songs, 100 patterns, max. 7700 notes* ²
		8 tracks, 8-timbre multi-timbral operation (Dynamic Voice Allocation)
Controller inputs	:	Damper pedal, assignable footswitches (pedals) 1/2
Outputs	:	1/L, 2/R, 3, 4, stereo headphones
MIDI terminals	:	IN, OUT, THRU
Display	:	Backlit LCD (40 characters x 2 lines)
Optional accessories	:	RAM card (MCR-03), ROM card, PCM card
Power requirements	:	11 W
Dimensions	:	1058 (W) x 356 (D) x 110 (H)
Weight	:	13.5 kg

*¹ Memory allocation can be changed to 50 Programs and 50 Combinations.

*² A capacity of 4400 notes when 100 Program/100 Combination memory allocation is selected.

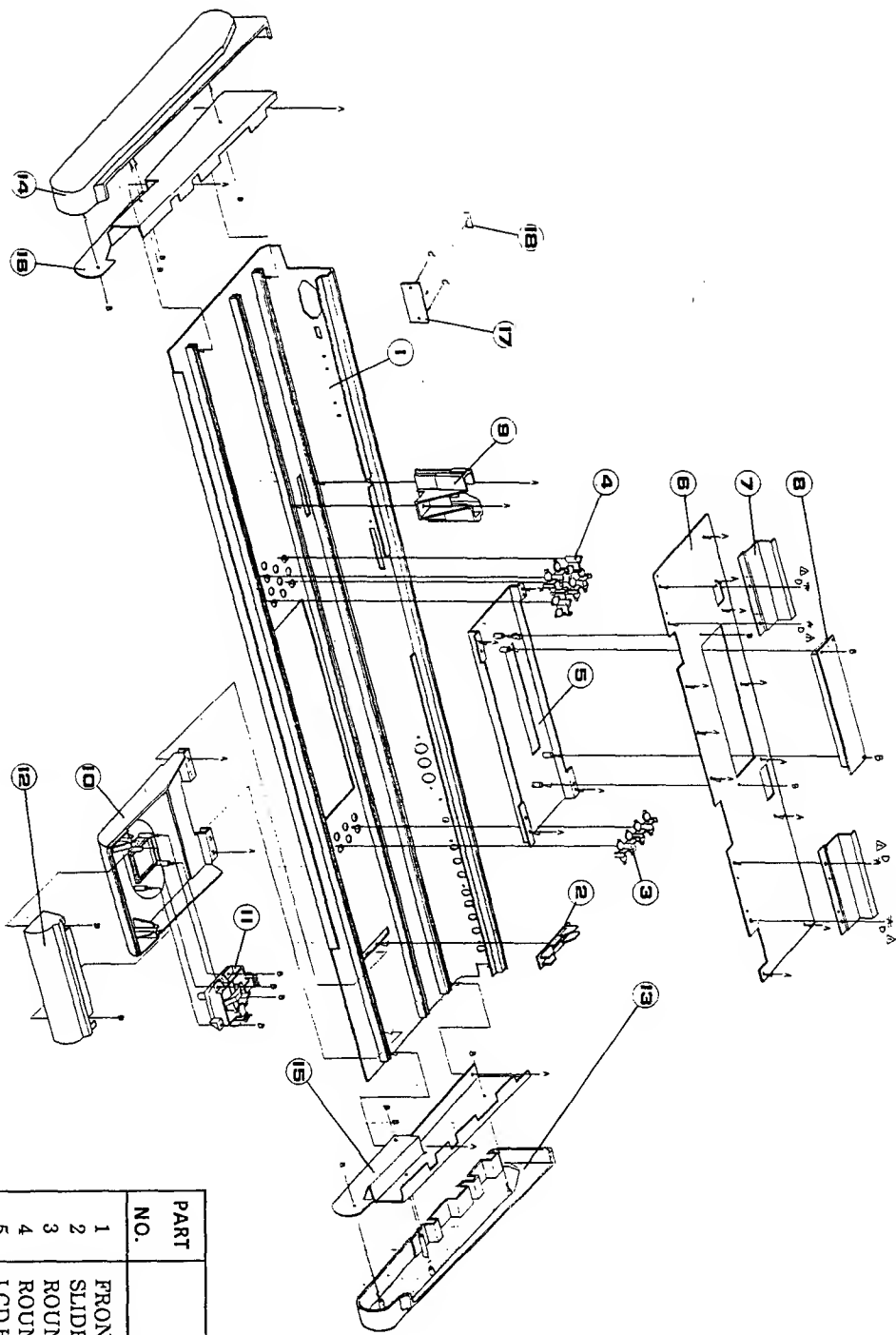
- Specifications are subject to changes and improvements without notice.

2. STRUCTURAL DIAGRAM



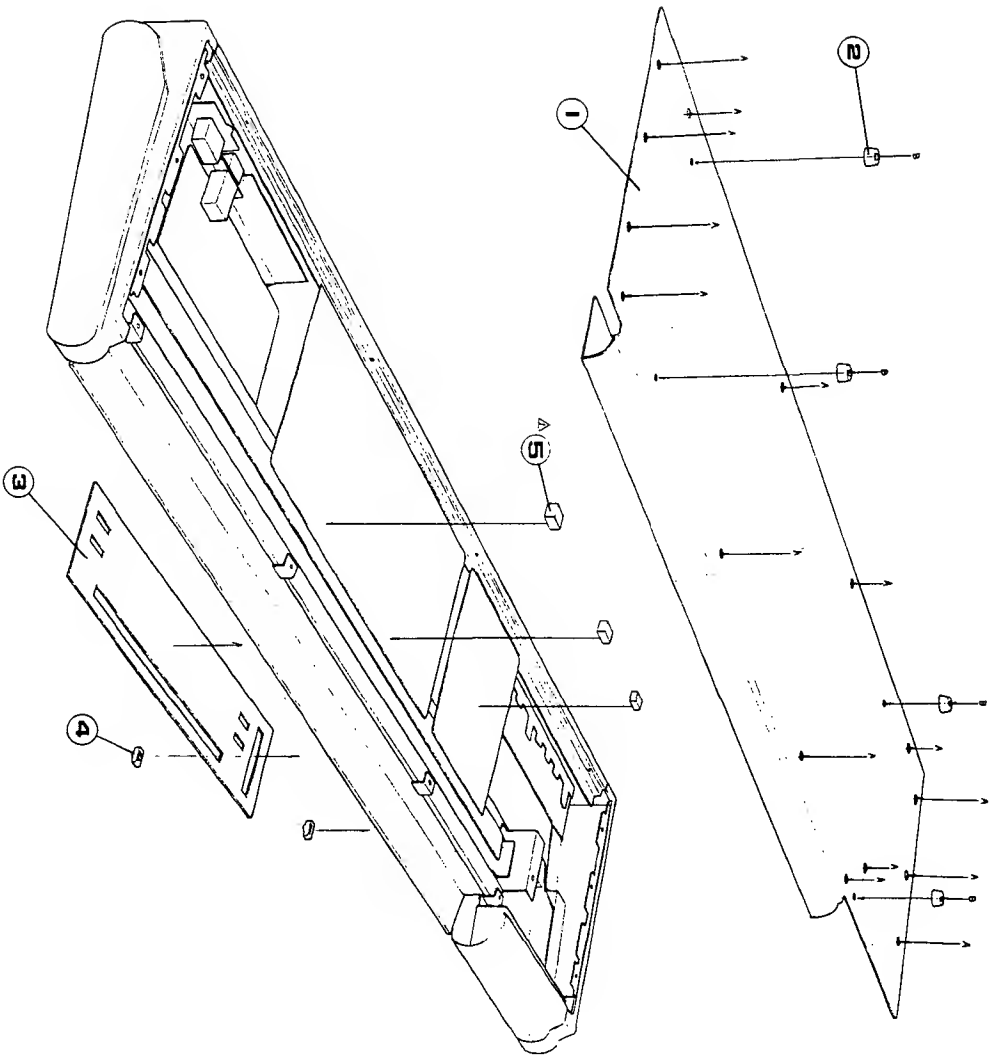
PART NO.	SCREWS & WASHER	PART CODE
A	SCREW CT B ZMC 3X8	715230308
B	SCREW CT B ZMC 4X10	715230410
C	SCREW PLAX B BZMC 3X8	745060308
D	SCREW PLAX B ZMC 4X10	745080410
E	WASHER TWU ZMC 4	784030400
F	SCREW CT B BZMC 3X8	715260308
G	SCREW TP2G B ZMC 3X25	725030325

PART NO.	PART NAME	PART CODE
1	KEYBOARD FS-61	420004000
2	KB ANGLE	640092400
3	MAIN ANGLE A	640091800
4	MAIN ANGLE B	640091801
5	SIDE KB ANGLE	640092100
6	PU CHASSIS	640091700
7	POW. SUPPLY P. C. BOARD	
8	POWER SW	375006100
9	INLET SOCKET	
10	JACK PLATE	640091900
11	P. C. BOARD KLM-1263	
12	P. C. BOARD KLM-1264	
13	CARD ANGLE	640092000
14	PCM CARD SLOT	646028300
15	P. C. BOARD KLM-1266	
16	P. C. BOARD KLM-1261	
17	POWER SW KNOB	620018200
18	SPIRAL CLIP CS-8	540008600



PART NO.	SCREWS & WASHER	PART CODE
A	SCREW CT B ZMC 3X8	715230308
B	SCREW PLAX B BZMC 3X8	745060308
C	SCREW CT B BZMC 3X8	715260308

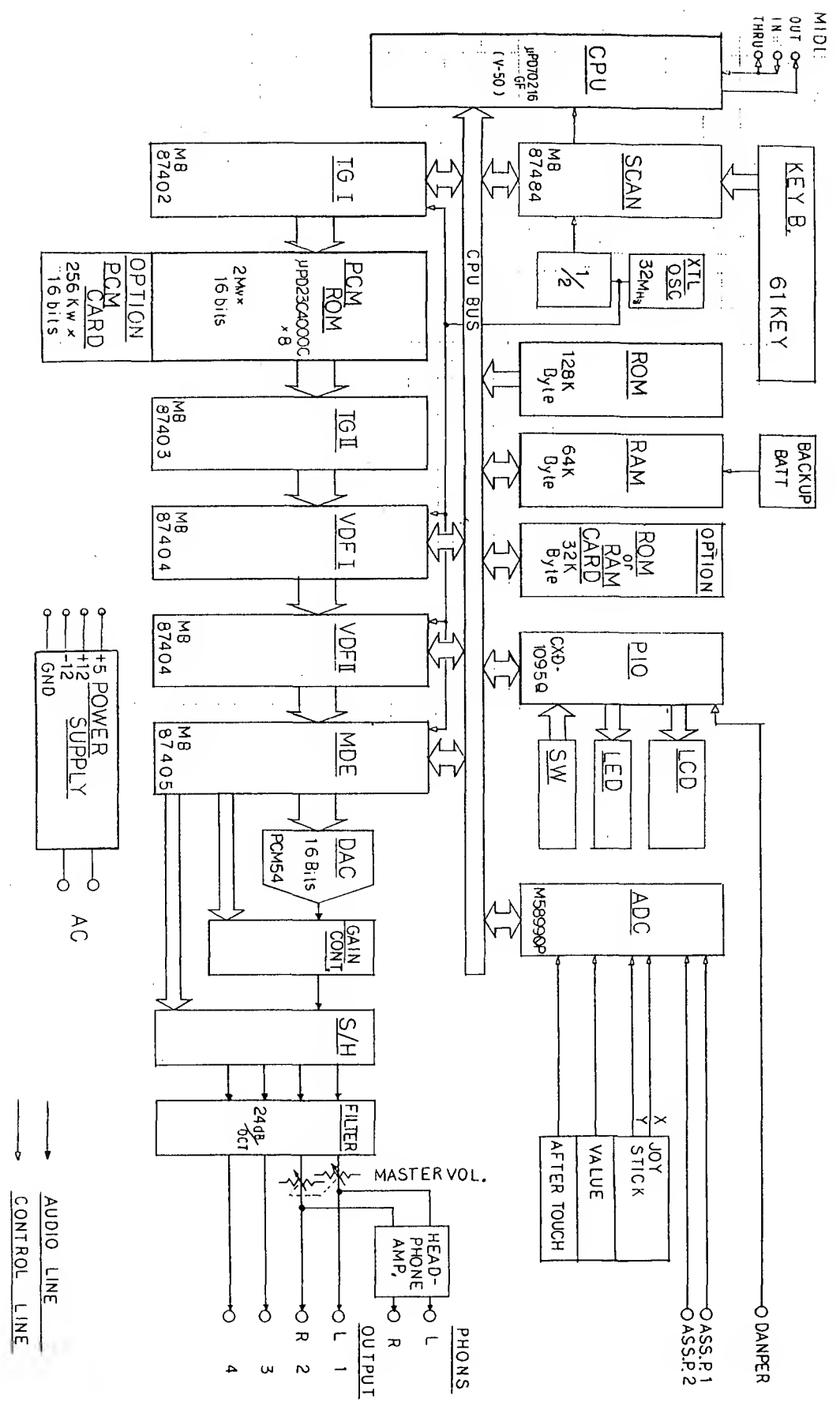
PART NO.	PART NAME	PART CODE
1	FRONT PANEL M1	640092600
2	SLIDE VR FRAME	646028200
3	ROUND KNOB NO 1 GS	620018901
4	ROUND KNOB NO 2 GS	620019001
5	LCD HOOD	646028500
6	P. C. BOARD KLM-1262	
7	PANEL ANGLE	640092200
8	LCD MODULE	313001300
9	PROG/SEQ CARD SLOT	646028100
10	JOYSTICK PANEL	646028600
11	JOYSTICK ASSY	
12	JOYSTICK UNDER COVER	646028700
13	SIDE PANEL (L) M1	646028400
14	SIDE PANEL (R) M1	646028401
15	SIDE CHASSIS (L) M1	640091600
16	SIDE CHASSIS (R) M1	640091601
17	NAME PLATE	
18	SERIAL NO.	

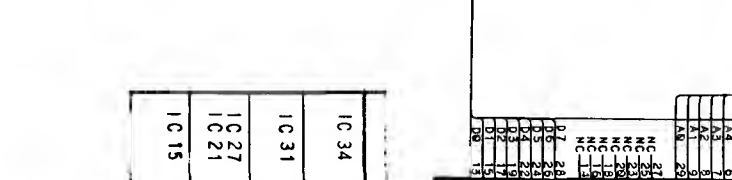
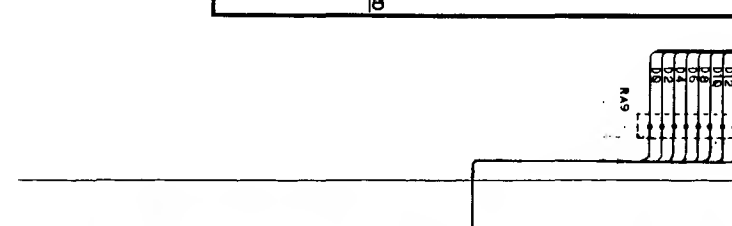
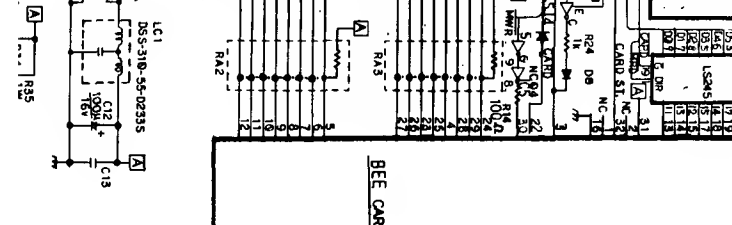
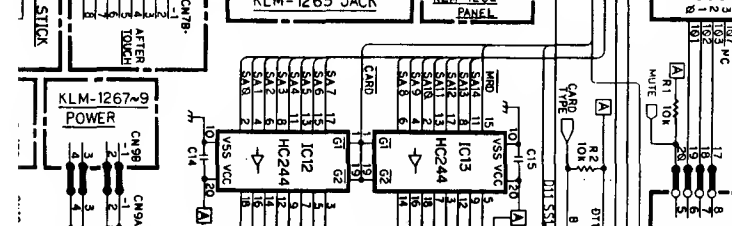
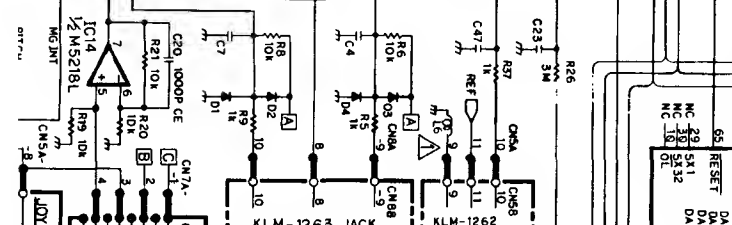
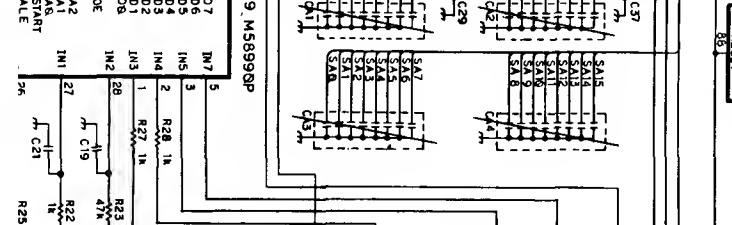
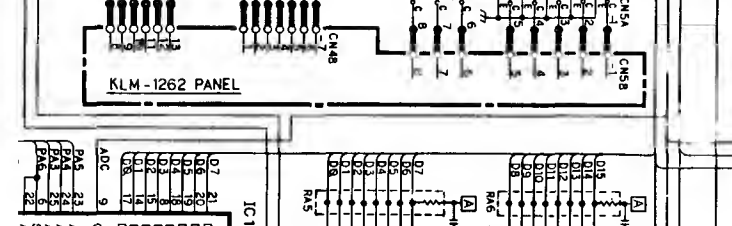
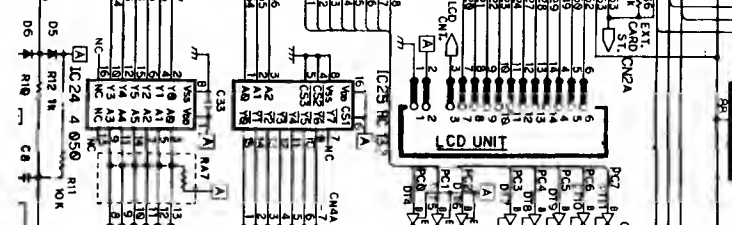
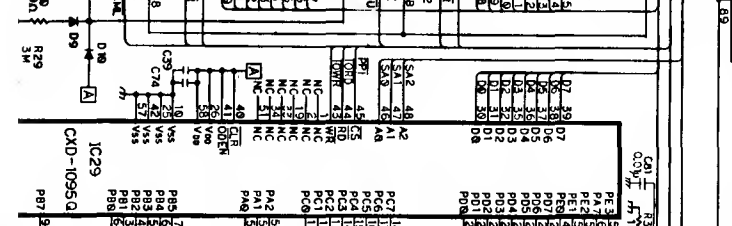
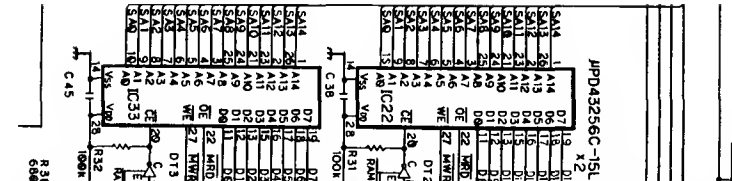
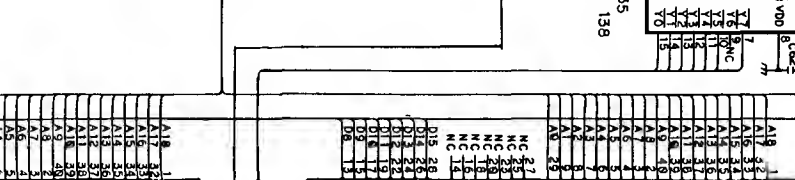
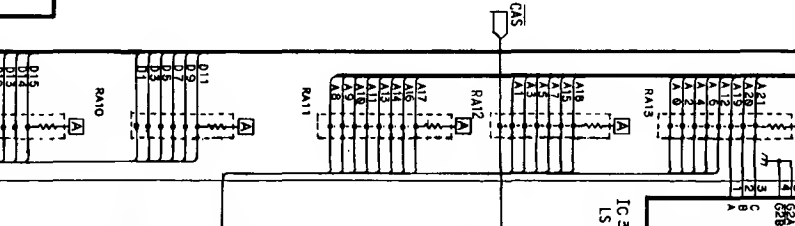
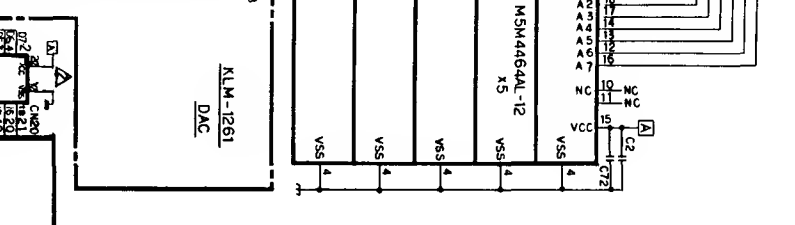
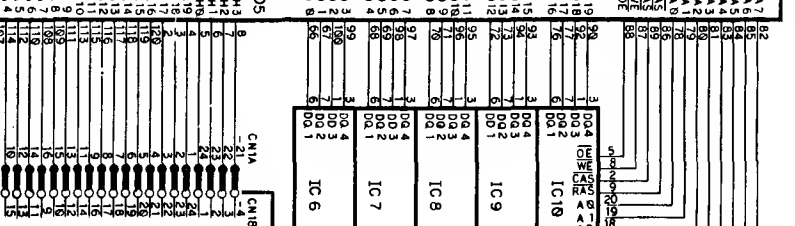
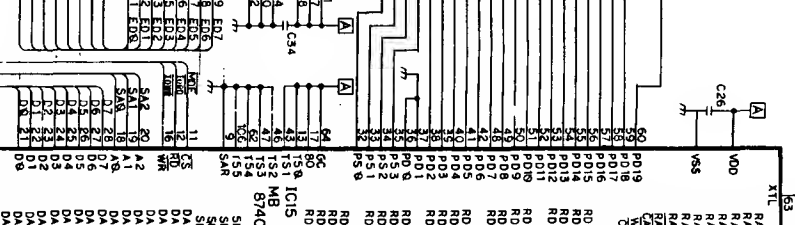
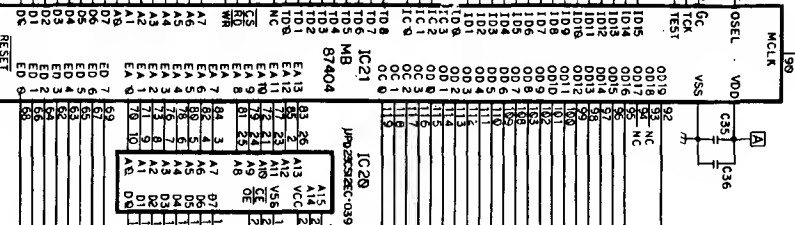
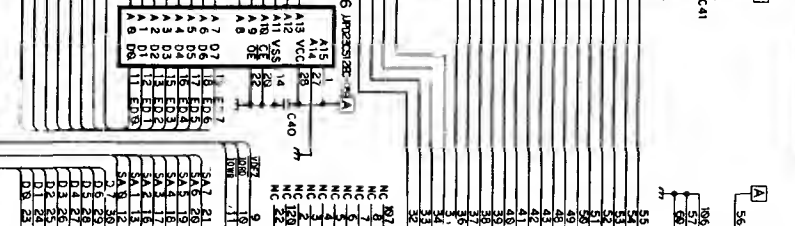
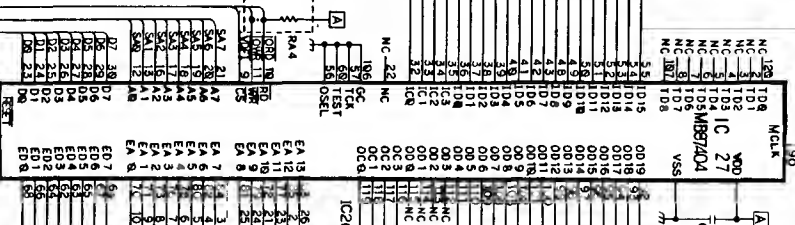
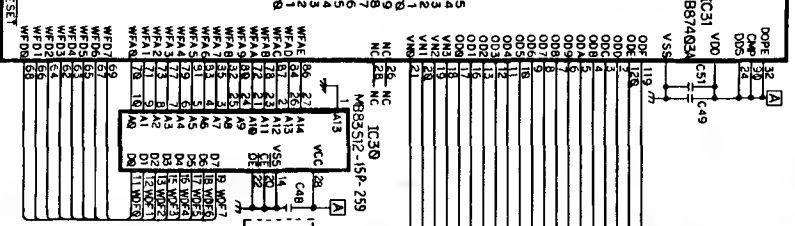
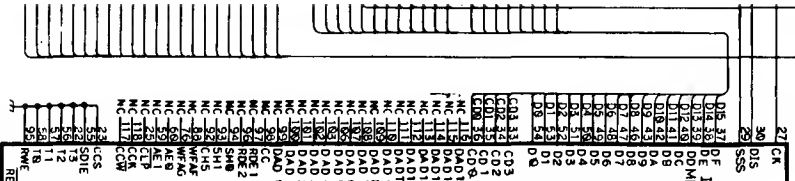
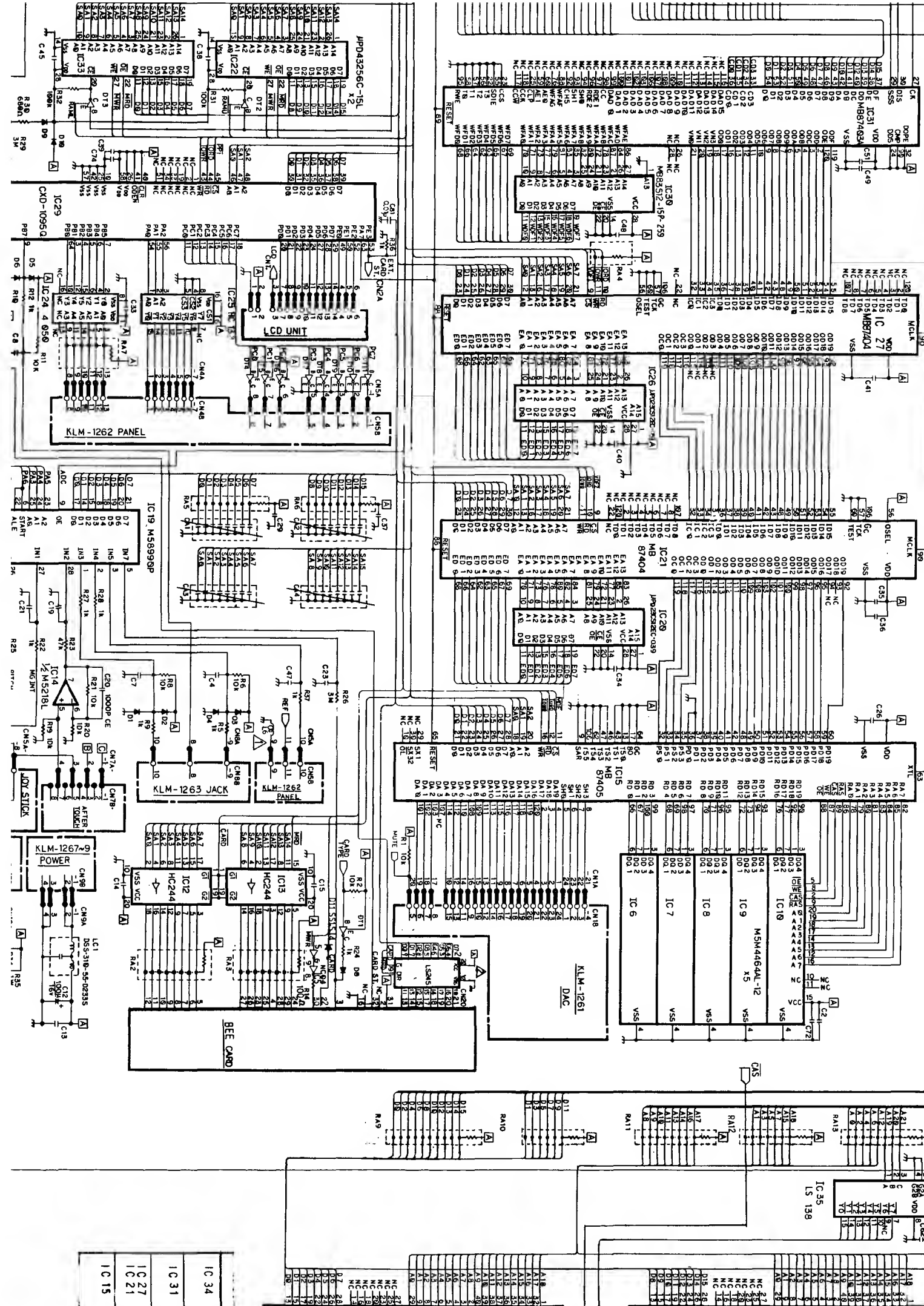


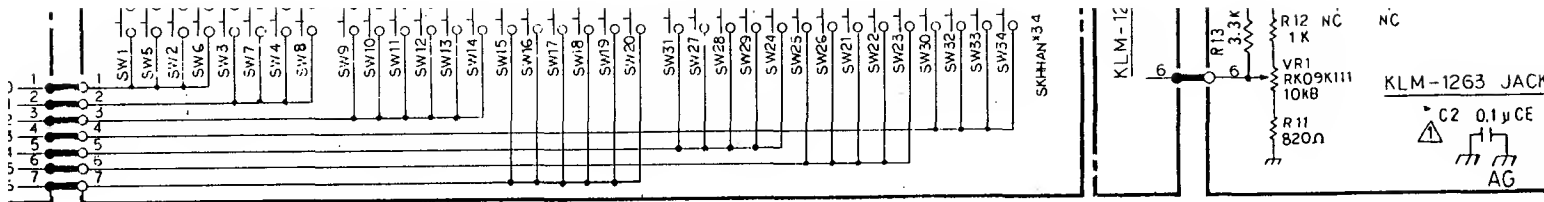
PART NO.	SCREWS & WASHER	PART CODE
A	SCREW CT B BZMC 4X10	715260410
B	SCREW T2G B BZMC 3X14	725060314

PART NO.	PART NAME	PART CODE
1	LOWER CASE M1	640091500
2	RUBBER FEET	500009500
3	LCD WINDOW	630006500
4	SLIDE VR KNOB	620019700

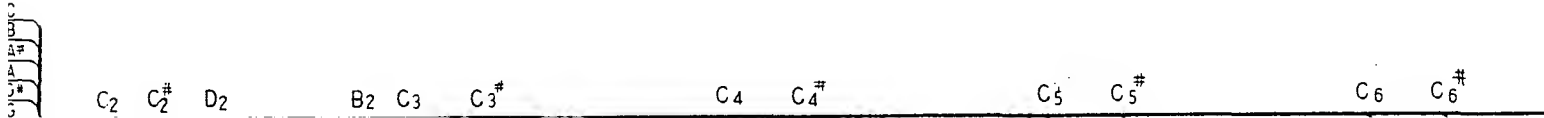
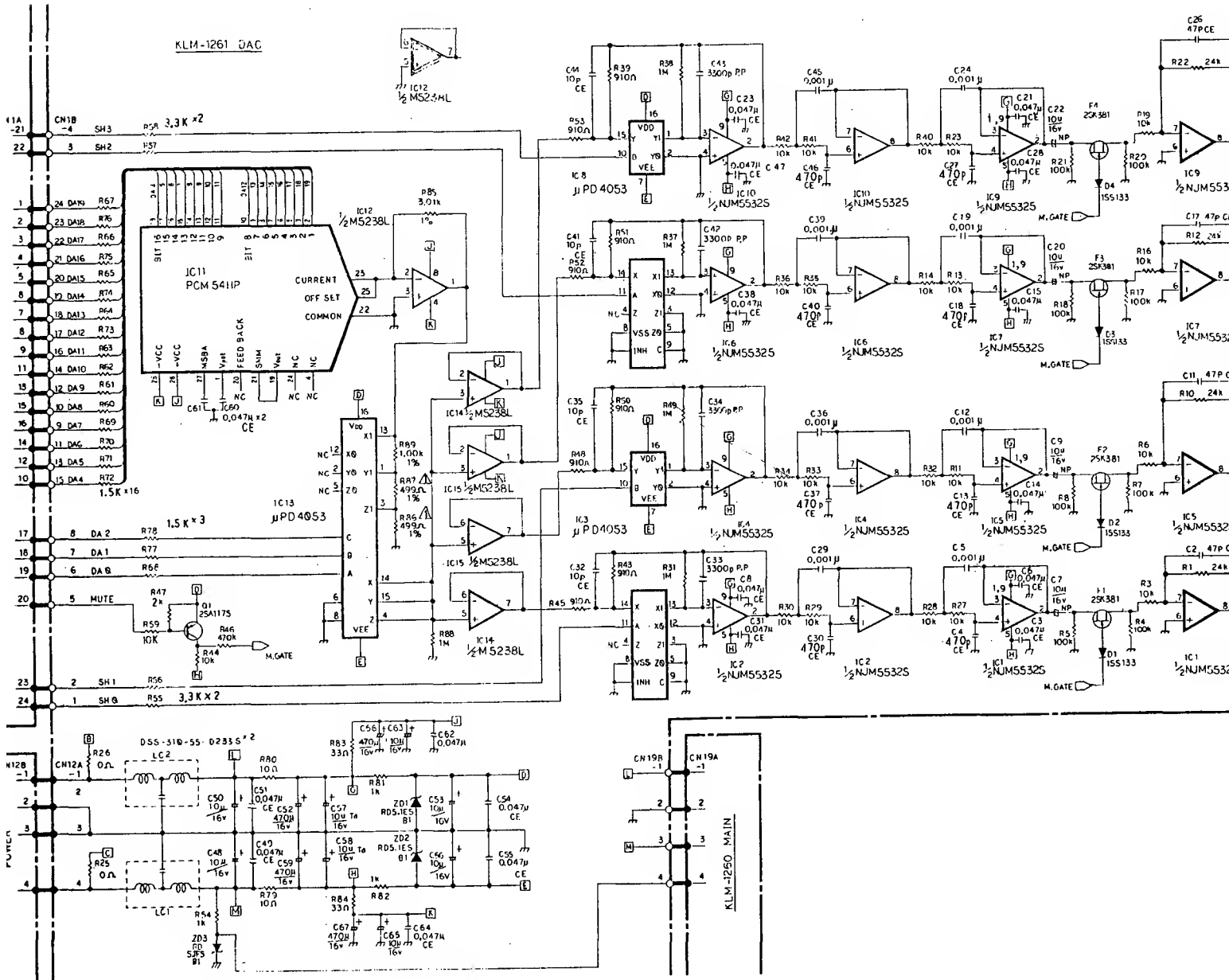
3. BLOCK DIAGRAM



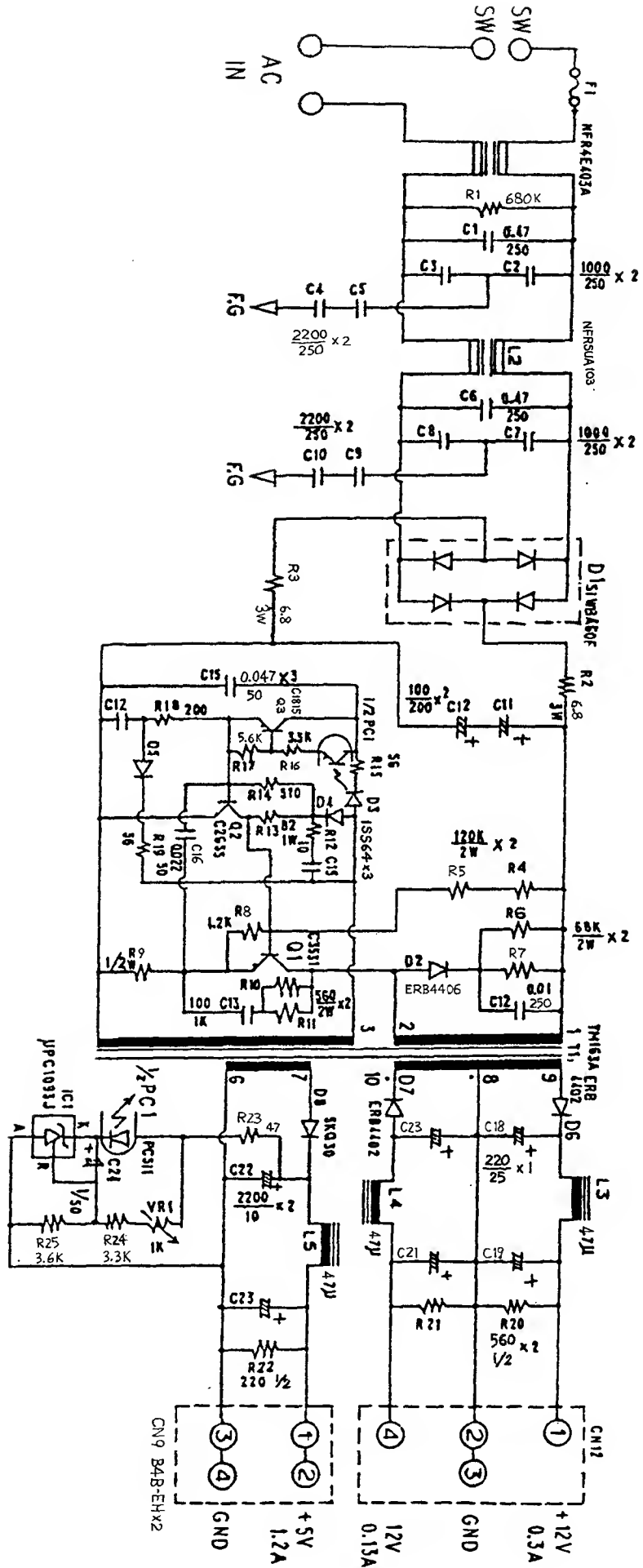




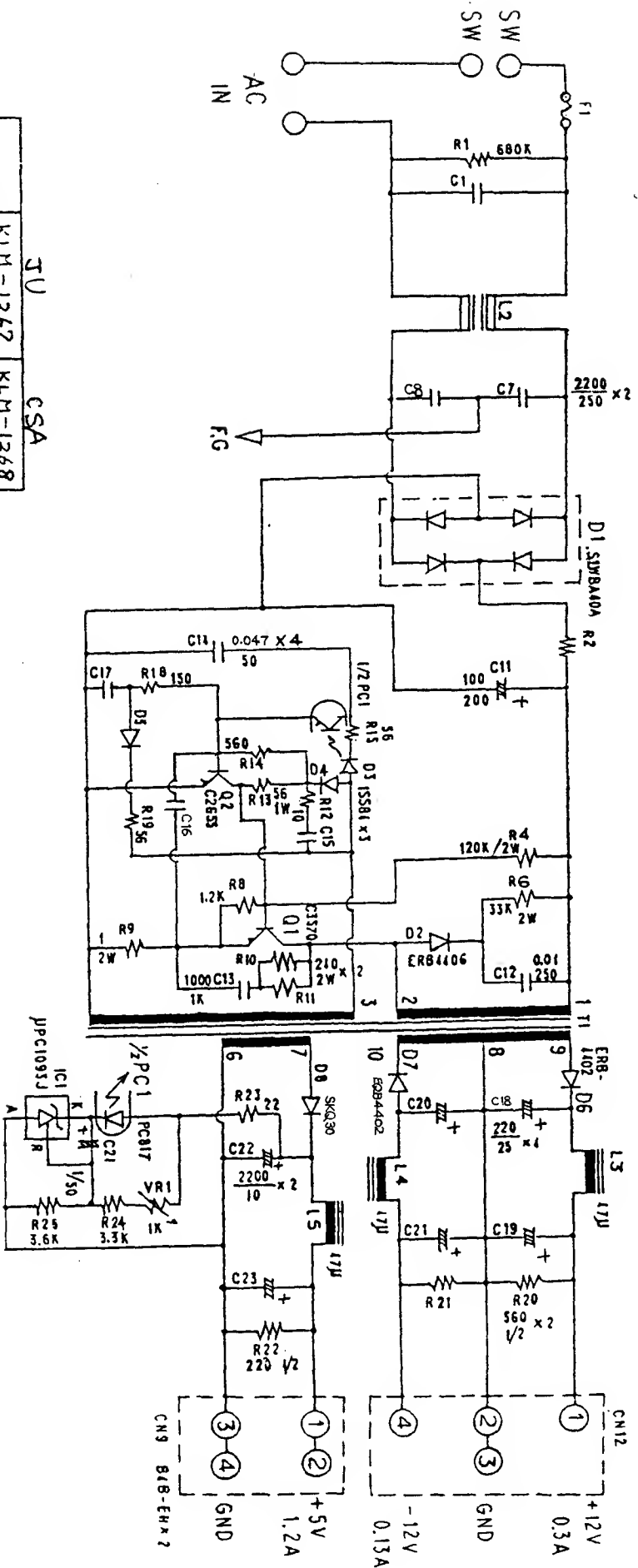
KLM-1261



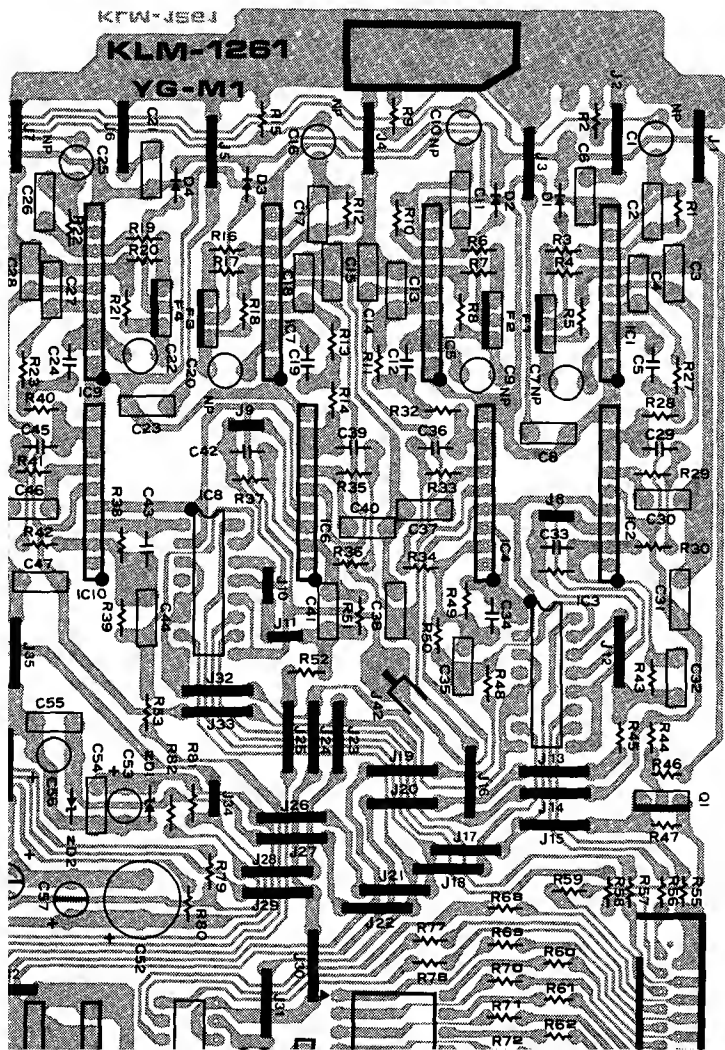
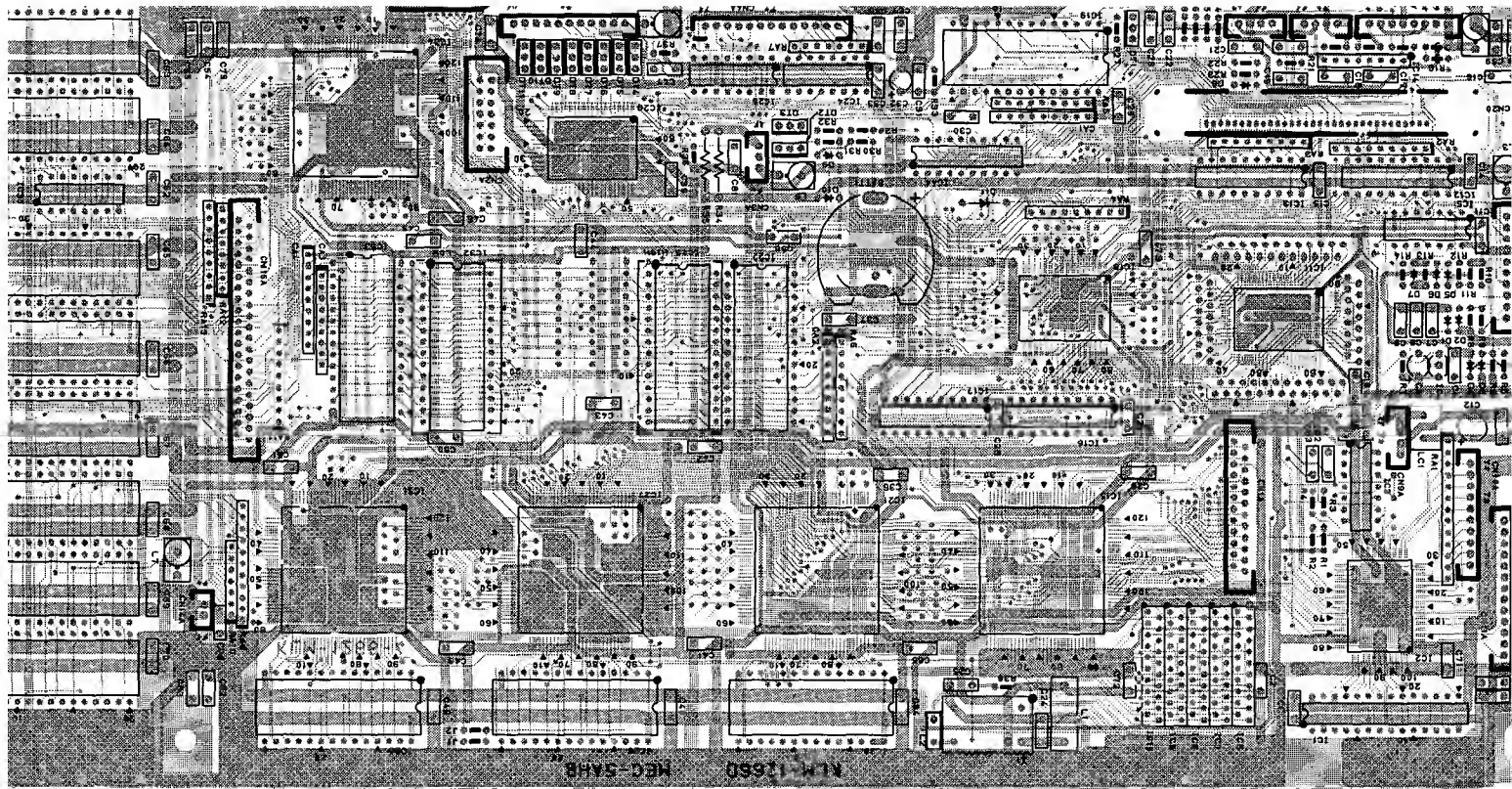
KLM-1269



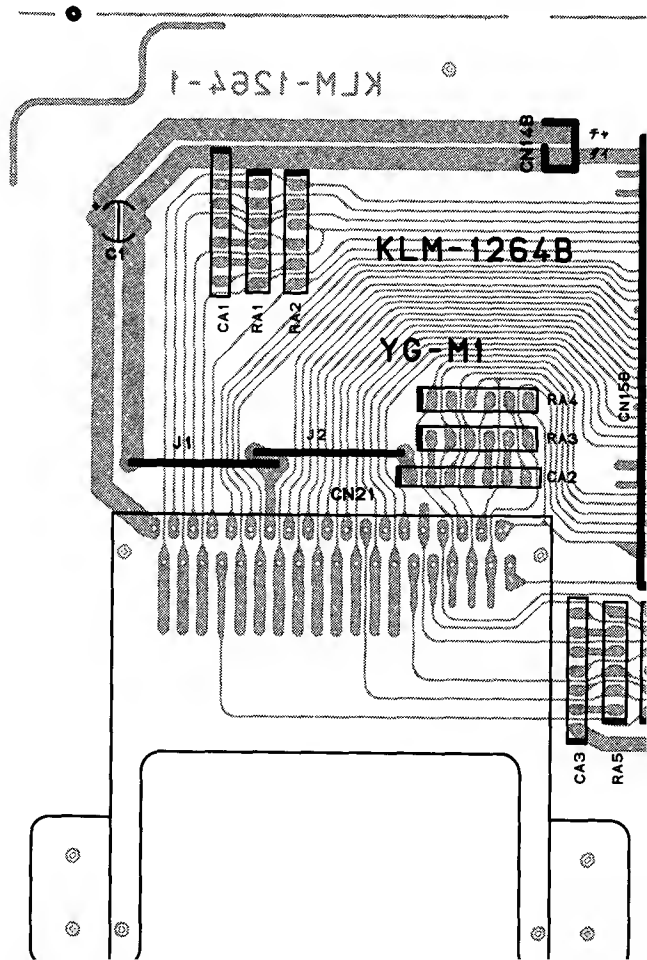
KLM1267, 1268 (FOR JU. CSA)

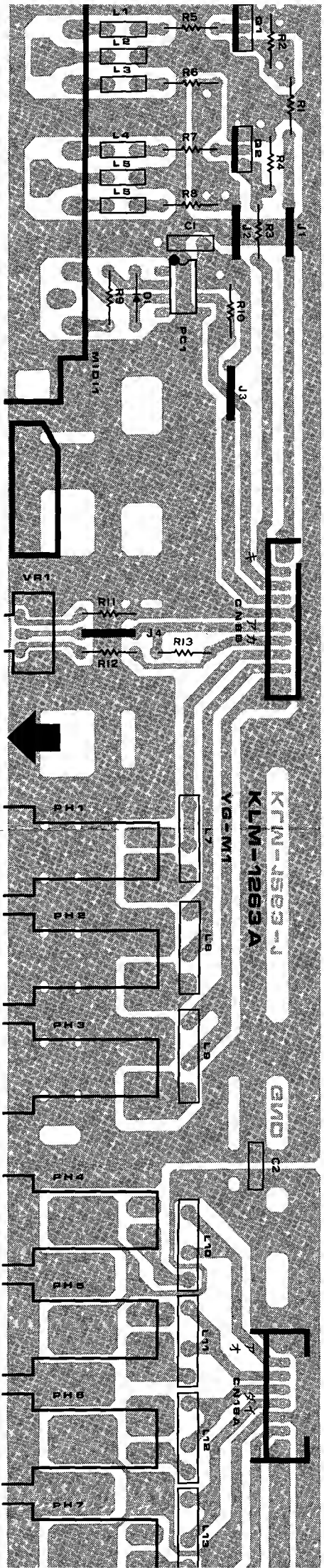


JU		CSA	
R2	KLM-1267	KLM-1268	
C1	HRSN3FB 6.8n	6.8n. 2A 250V	
T1	0.22uF 250V	0.1uF 250V	
L2	TYA024	TYA023	
	NFRSUA203	NFR6UA103	

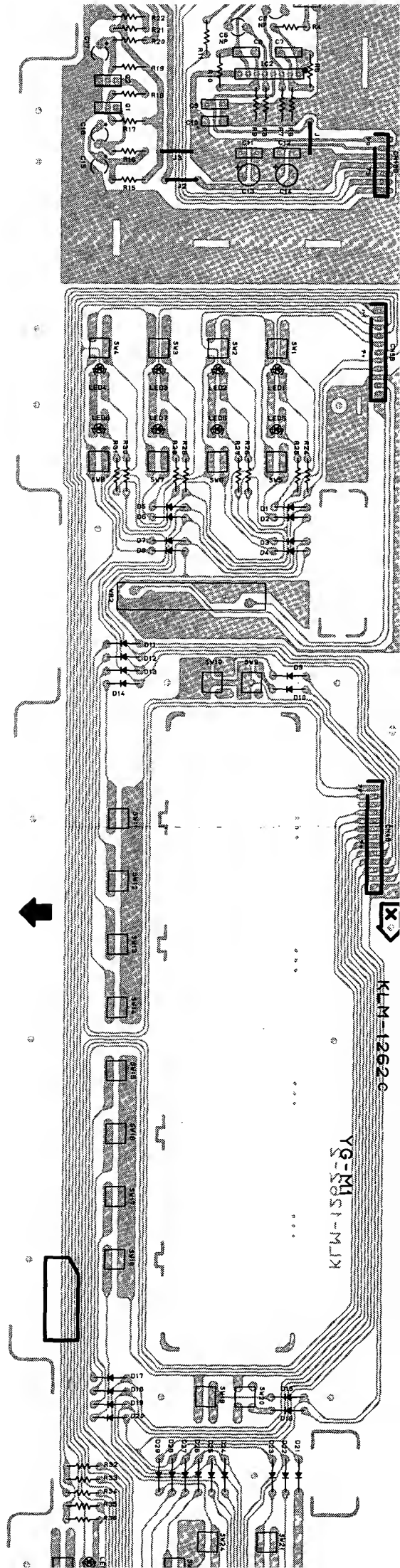


KLM-1261





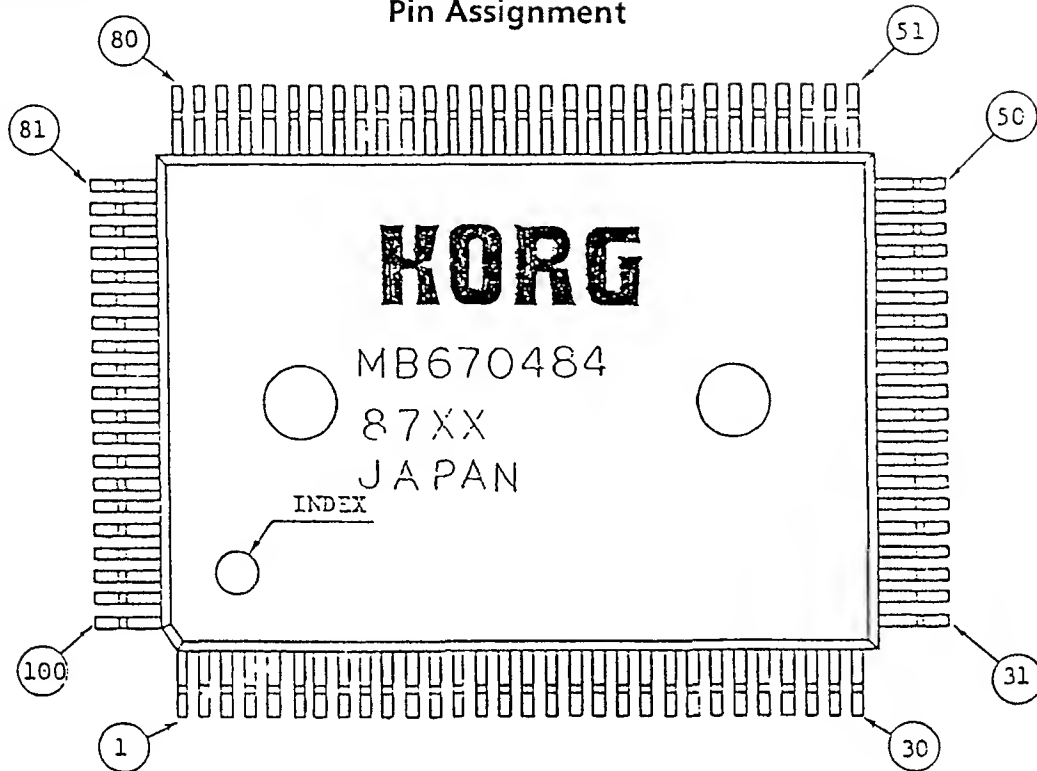
KLM-1263



6. REFERENCE DATA

MB670484

Pin Assignment

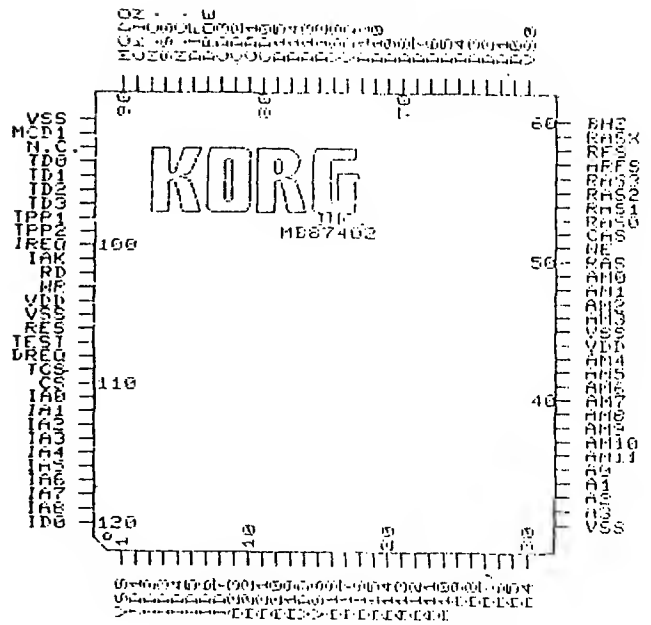


NO.	PIN NAME	I/O	NO.	PIN NAME	I/O	NO.	PIN NAME	I/O	NO.	PIN NAME	I/O
1	L0	O	26	B6	I	51	DCOM	I	76	IRQ	O
2	L1	O	27	B7	I	52	TCK2	I	77	8O	I
3	VDD	—	28	VDD	—	53	VDD	—	78	VDD	—
4	VSS	—	29	VSS	—	54	VSS	—	79	VSS	—
5	L2	O	30	M0	I	55	POLM	I	80	WE	O
6	L3	O	31	M1	I	56	POLB	I	81	RA7	O
7	L4	O	32	M2	I	57	TCK1	I	82	RA6	O
8	L5	O	33	M3	I	58	TCK0	I	83	RA8	O
9	L6	O	34	M4	I	59	TEST	I	84	RA5	O
10	L7	O	35	M5	I	60	RES	I	85	RA9	O
11	L8	O	36	M6	I	61	A0	I	86	RA4	O
12	L9	O	37	M7	I	62	A1	I	87	RA3	O
13	L10	O	38	CK2B	O	63	A2	I	88	OE	O
14	L11	O	39	CK2	O	64	WR	I	89	RA2	O
15	VSS	—	40	VSS	—	65	VSS	—	90	VSS	—
16	L12	O	41	XTAL	I	66	RD	I	91	RA1	O
17	L13	O	42	EXTL	O	67	CS	I	92	RA0	O
18	L14	O	43	NC	—	68	D0	I/O	93	RD7	I/O
19	L15	O	44	CK1B	O	69	D1	I/O	94	RD0	I/O
20	B0	I	45	CK1	O	70	D2	I/O	95	RD6	I/O
21	B1	I	46	NC	—	71	D3	I/O	96	RD1	I/O
22	B2	I	47	P0	I/O	72	D4	I/O	97	RD5	I/O
23	B3	I	48	P1	I/O	73	D5	I/O	98	RD2	I/O
24	B4	I	49	P2	I/O	74	D6	I/O	99	RD4	I/O
25	B5	I	50	P3	I/O	75	D7	I/O	100	RD3	I/O

MB87402

PIN NAME	I/O	PIN NAME	I/O
ID 0~ID 7	BUS	RAS 0~RAS 3	OUTPUT
IA 0~IA 8	INPUT	RFS	OUTPUT
CS	INPUT	ARFS	OUTPUT
TCS	INPUT	DPOE	OUTPUT
DREQ	OUTPUT	DIF	OUTPUT
IREQ	OUTPUT	BHZ	INPUT
IAK	INPUT	CKIN	INPUT
RD	INPUT	MCDI	INPUT
WR	INPUT	MCDO	OUTPUT
RES	INPUT	CD 0~CD 3	OUTPUT
D 0~D 15	BUS	SSS	OUTPUT
A 0~A 23	OUTPUT	TEST,TPP1	INPUT
AM 0~AM11	OUTPUT	TPP 1,TD 0~TD 3	
RAS	OUTPUT	NC	
RASX	OUTPUT	VDD	
CAS	OUTPUT	VSS	
WE	OUTPUT		

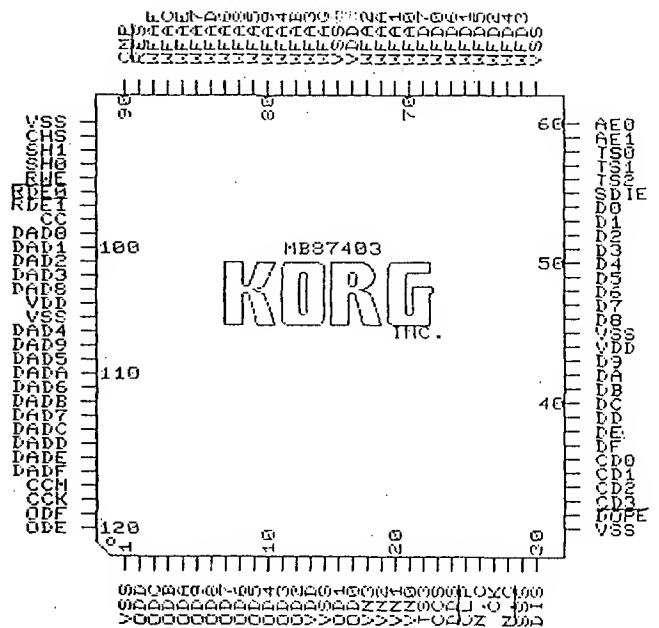
Pin Assignment



MB87403

PIN NAME	I/O	PIN NAME	I/O
VDD		CD 0~CD 3	INPUT
VSS		DDS,CCS,SDIE	INPUT
NC		RWE	INPUT
RES	INPUT	RDE 0~RDE 1	OUTPUT
CK	INPUT	CHS	OUTPUT
SSS	INPUT	SH 0,SH 1	OUTPUT
DIS	INPUT	CCK	OUTPUT
DOPE	INPUT	CCM	OUTPUT
D 0~D 15	BUS	CC	OUTPUT
WFA 0~WFA 16	OUTPUT	CMP	INPUT
WFD 0~WFD 7	INPUT	DAD 0~DAD 15	INPUT/OUTPUT
AE 0, AE 1	OUTPUT	CLP	OUTPUT
VN 0~VN 3	OUTPUT	TS 0~TS 2	INPUT
OD 0~OD 15	OUTPUT		

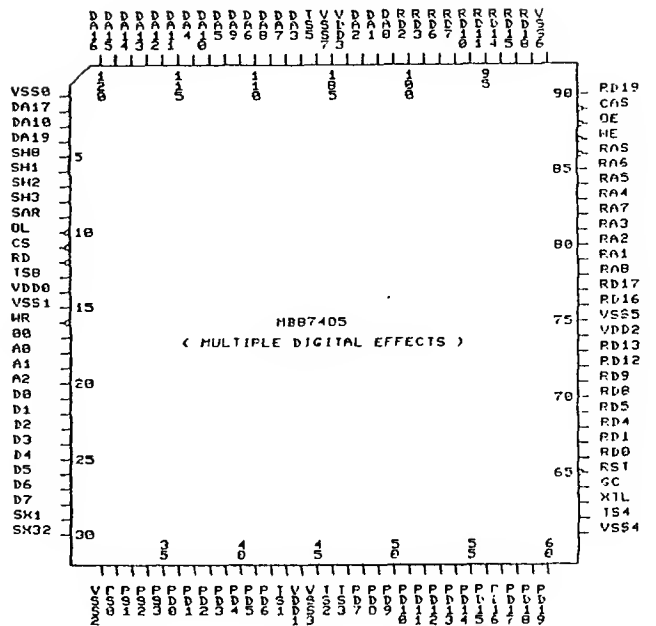
Pin Assignment



MB87405

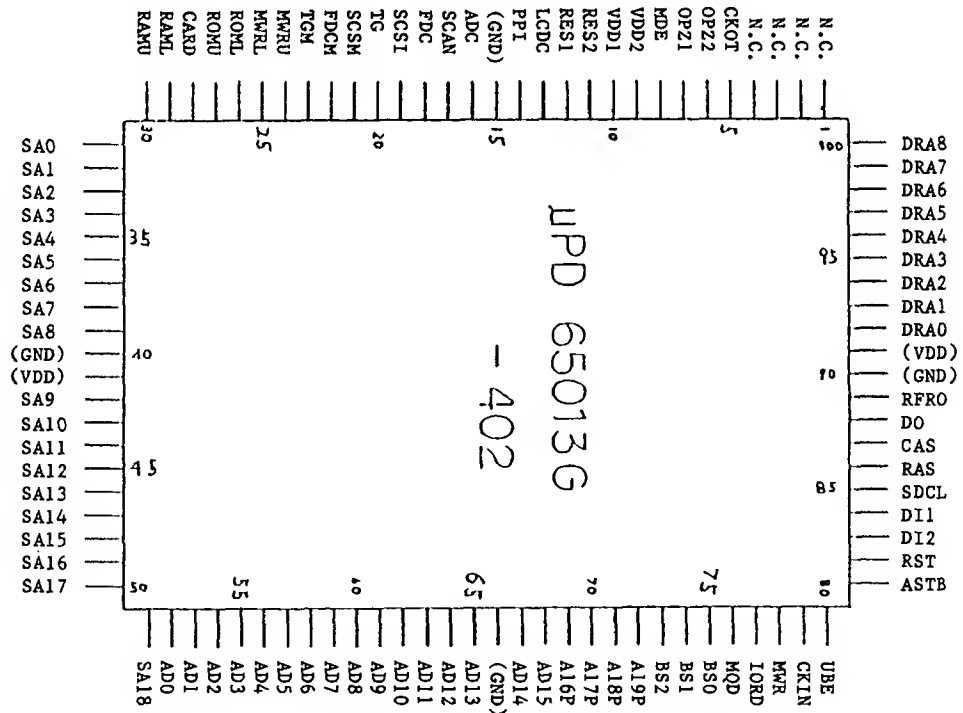
PIN NAME	I/O	PIN NAME	I/O
80	INPUT	DA 0~D 19	OUTPUT
CS	INPUT	SH 0~SH 3	OUTPUT
RD	INPUT	SAR	INPUT
WR	INPUT	OL	OUTPUT
A 0~A 2	INPUT	SX 1,SX 32	OUTPUT
D 0~D 7	BUS	PD 0~PD 19	INPUT
RAS	OUTPUT	GC	INPUT
CAS	OUTPUT	RST	INPUT
OE	OUTPUT	XTL	INPUT
WE	OUTPUT	TS 0~TS 5	INPUT
RA 0~RA 7	OUTPUT	VDD0~VDD3	
RD 0~RD 19	BUS	VSS 0~VSS 7	

Pin Assignment



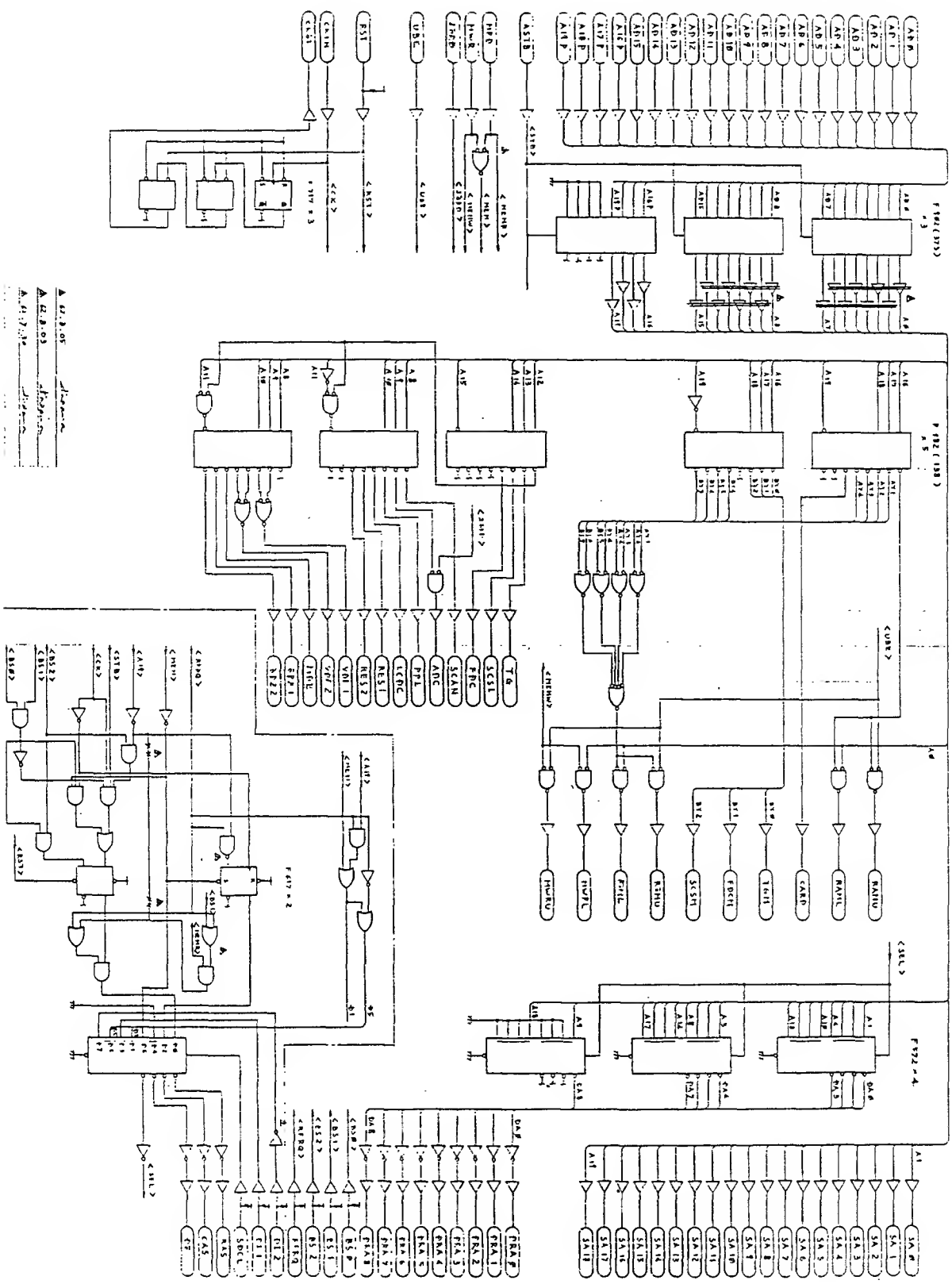
μPD65013G-402

Pin Assignment



μPD 65013G - 402

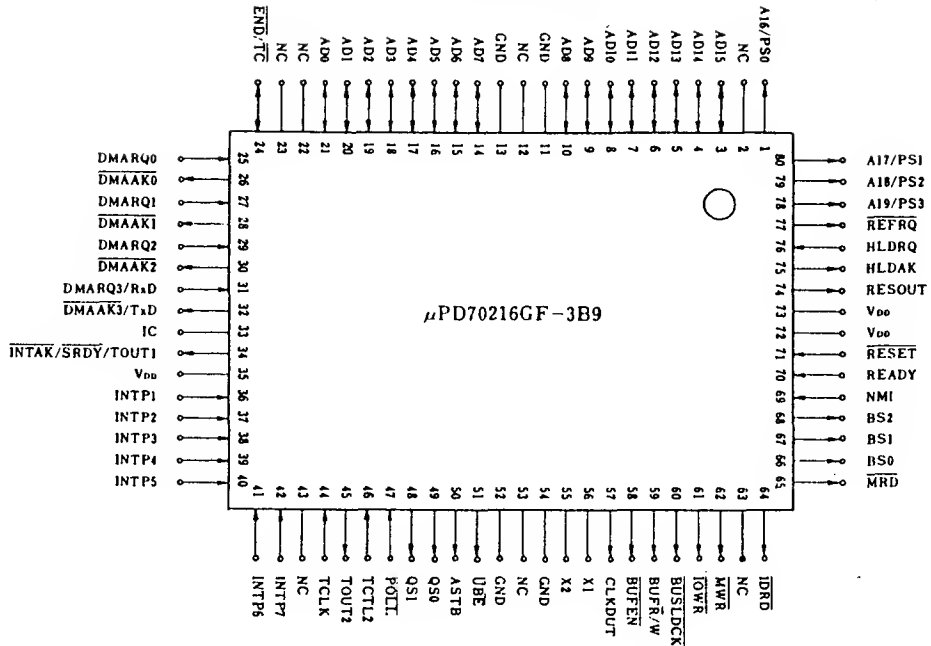
Internal Block Diagram



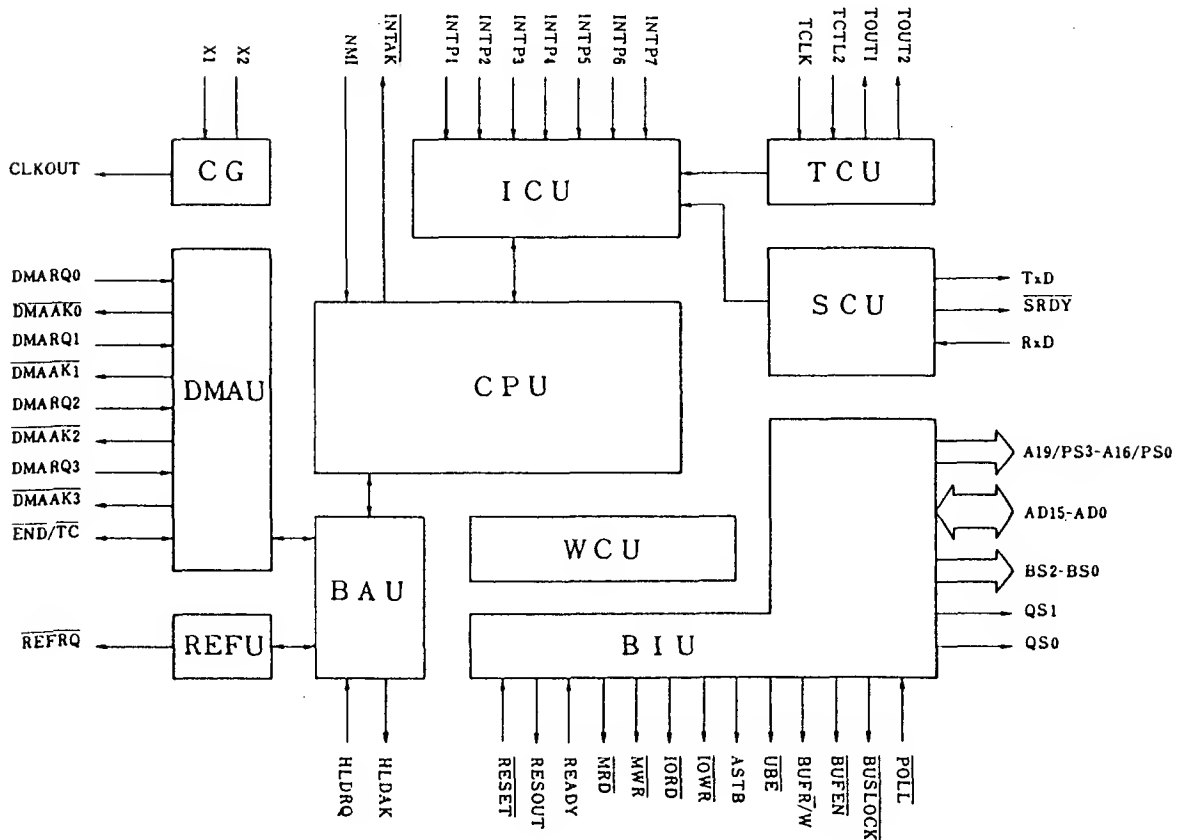
A 62.8.05
 A 62.8.03
 A 62.8.02

μPD70216

Pin Assignment

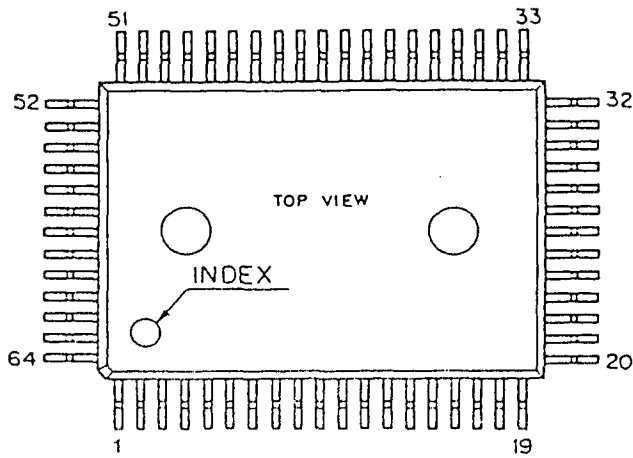


Internal Block Diagram

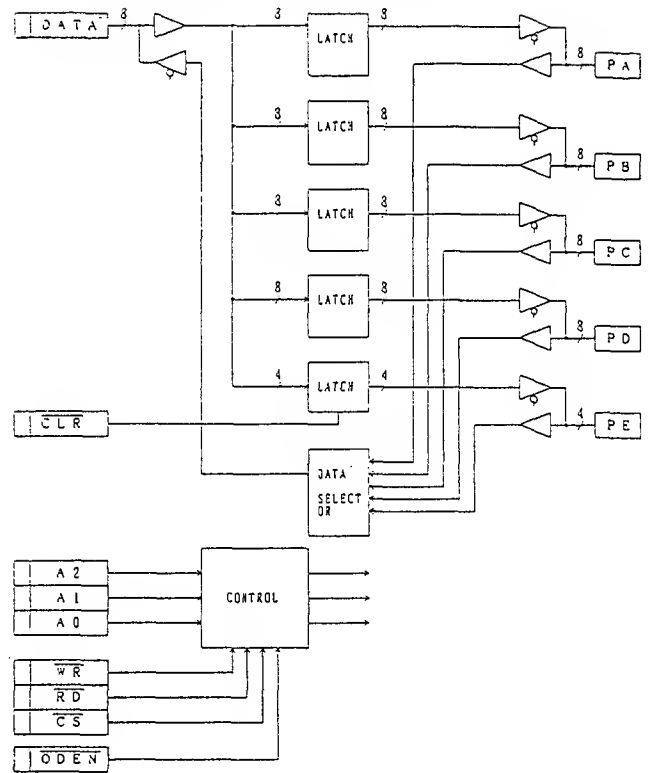


CXD1095Q

Pin Assignment



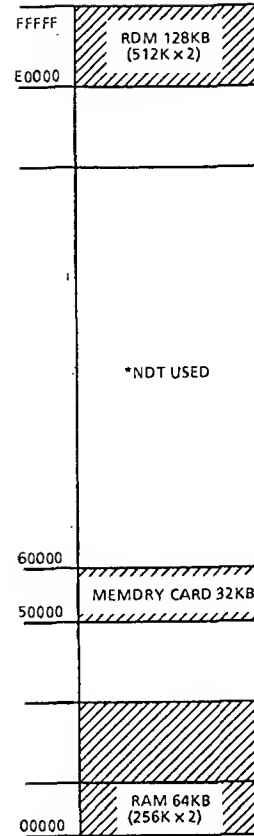
Internal Block Diagram



NO.	PIN NAME	I/O	NO.	PIN NAME	I/O	NO.	PIN NAME	I/O	NO.	PIN NAME	I/O
1	N.C	—	17	PC 6	I/O	33	N.C	—	49	PE 0	I/O
2	N.C	—	18	PC 7	I/O	34	N.C	—	50	PE 1	I/O
3	PB 1	I/O	19	N.C	—	35	D 3	I/O	51	N.C	—
4	PB 2	I/O	20	PD 0	I/O	36	D 4	I/O	52	PE 2	I/O
5	PB 3	I/O	21	PD 1	I/O	37	D 5	I/O	53	PE 3	I/O
6	PB 4	I/O	22	PD 2	I/O	38	D 6	I/O	54	PA 0	I/O
7	PB 5	I/O	23	PD 3	I/O	39	D 7	I/O	55	PA 1	I/O
8	PB 6	I/O	24	PD 4	I/O	40	CLR	I	56	PA 2	I/O
9	PB 7	I/O	25	VSS	—	41	ODEN	I	57	VSS	—
10	VSS	—	26	VDD	—	42	VSS	—	58	VDD	—
11	PC 0	I/O	27	PD 5	I/O	43	WR	I	59	PA 3	I/O
12	PC 1	I/O	28	PD 6	I/O	44	RD	I	60	PA 4	I/O
13	PC 2	I/O	29	PD 7	I/O	45	CS	I	61	PA 5	I/O
14	PC 3	I/O	30	D 0	I/O	46	A 0	I	62	PA 6	I/O
15	PC 4	I/O	31	D 1	I/O	47	A 1	I	63	PA 7	I/O
16	PC 5	I/O	32	D 2	I/O	48	A 2	I	64	PB 0	I/O

I/O MAP

FFFF	}	*NOT USED
4000		
3000	}	FDC A 0~A 9
2000		
1000	}	SCSI A 0~A 9
0F00		
0E00	}	TG A 0~A 8
0D00		
0C00		*NOT USED
0B00		*NOT USED
0A00		LCDC A 0
0900		PPI A 0~A 2
0800		A/D CON
0700		SCAN A 0
0600		QPZ 2
0500		DPZ 1 A 0
0400		MDE A 0~A 2
0300		VDF 2'
0200		VDF 1 A 0~A 7
0100		
0000		INTERNAL PERIPHERAL



7. PARTS LIST

PARTS CODE	PARTS NAME SPECIFICATIONS	P.C. BOARD	IDENTIFICATION NO. FUNCTION	Q'TY
POW. SPL.Y. P.C. BOARD				
002126700	KLM-1267		100JP 117US 117EX 117CN 220SE 220GE 220WG 240AF 240AU 240GE 220SC 220FR 240UK	1 1 1 1 1 1 1 1 1 1 1 1 1
002126800	KLM-1268			
002126900	KLM-1269			
CARBON RESISTORS				
104013210	S1/4JYTP 10 OHM	1262		2
104013310	S1/4JYTP 100 OHM			2
104013322	S1/4JYTP 220 OHM	1263		5
104013333	S1/4JYTP 330 OHM	1262		13
104013347	S1/4JYTP 470 OHM			1
104013362	S1/4JYTP 620 OHM	1263		1
104013382	S1/4JYTP 820 OHM			1
104013410	S1/4JYTP 1 K	1262		6
104013420	S1/4JYTP 2 K	1263		1
104013433	S1/4JYTP 3.3 K	1262		1
104013510	S1/4JYTP 10 K	1263		9
104013515	S1/4JYTP 15 K	1263		4
104013533	S1/4JYTP 33 K	1262		1
104013547	S1/4JYTP 47 K	1262		1
104013633	S1/4JYTP 330 K			3
104013651	S1/4JYTP 510 K			1
104016000	1/6JTP 0 OHM	1261		1
104016210	1/6JTP 10 OHM	1266		7
		1261		2
		1261		2

PARTS CODE	PARTS NAME SPECIFICATIONS	P.C. BOARD	IDENTIFICATION NO. FUNCTION	Q'TY
104016222	1/6JTP 22 OHM	1266		2
104016233	1/6JY 33 OHM	1261		2
104016310	1/6JTP 100 OHM	1266		1
104016320	1/6JYTP 200 OHM			2
104016368	1/6JTP 680 OHM			1
104016391	1/6JYTP 910 OHM	1261		1
104016410	1/6JTP 1.0 K	1266		8
104016415	1/6JTP 1.5 K	1261		1
104016420	1/6JTP 2.0 K	1266		1
104016433	1/6JTP 3.3 K	1261		19
104016510	1/6JTP 10 K	1266		9
104016524	1/6JTP 24 K	1261		3
104016547	1/6JTP 47 K	1266		3
104016610	1/6JTP 100 K	1261		11
104016647	1/6JTP 470 K	1266		4
104016710	1/6JTP 1.0 M	1261		1
104016730	1/6JYTP 3.0 M	1266		12
METAL FILM RESISTORS				
124213499	499 OHM	1261		3
124214100	1.00 K			1
124214301	3.01 K			1
124215100	10.0 K	1266		1
BLOCK RESISTORS				
135006510	RKC1/886J 10 K	1266		2
135007510	RKC1/887J 10 K			1
135008510	RKC1/888J 10 K			7
135010510	RKC1/8810J 10 K			1
135012510	RKC1/8812J 10 K			1
138016001	RN3J6C101J 100 OHM	1264		6

PARTS CODE	PARTS NAME SPECIFICATIONS	P.C. BOARD	IDENTIFICATION NO. FUNCTION	Q'TY
METAL OXIDE RESISTOR				
170051215	1WJY 15 OHM	1266		2
MYLAR CAPACITOR				
204001410	50X 0.001 μ F	1261		8
AXIAL CAPACITOR				
214016101	50V 0.1 μ F	1266		3
CERAMIC CAPACITORS				
214052100	50V 10PF TP	1261		4
214052470	50V 47PF TP	1266		2
214053330	50V 330PF TP	1261		4
214053470	50V 470PF TP	1262		2
214054100	50V 1000PF TP	1261		8
214055100	50V 0.01 μ F TP	1266		1
214055470	50V 0.047 μ F TP	1261		19
		1263		1
		1262		7
		1266		52
214056100	25V 0.1 μ F TP	1263		1
		1266		2
EMI FILTER				
219050100	DSS 310 - 55D 223S	1261		2
		1266		1
TANTALUM CAPACITOR				
224007210	16V 10 μ F	1262		4
		1264		1
BLOCK CAPACITOR				
248016333	50V 330 PFX 6	1264		3
ELECTROLYTIC CAPACITOR				
254003210	16V 10 μ F	1261		4

PARTS CODE	PARTS NAME SPECIFICATIONS	P.C. BOARD	IDENTIFICATION NO. FUNCTION	Q'TY
254003210	16V 10 μ F	1266		2
254003310	16V 100 μ F			1
254003347	16V 470 μ F	1261		4
254006110	50V 1 μ F	1266		1
254063210	16V 10 μ F	1261		8
254073222	16V 22 μ F	1262		2
254076110	50V 1 μ F			2
PPC				
264003433	100V 3300PF J	1261		4
TRANSISTORS				
304000050	2SA 1175	1261		1
304020020	2SC 2785 TK	1262		6
304020070	2SC 2785	1263		2
304020100	BA1A4M - T	1266		7
304020110	BN1A4M - 1			4
FET				
304060022	2SK381 - T11 - B/C	1261		4
DIODES				
310030100	SS1.5J4	1266		1
314000300	1S - 2473	1263		1
314001300	1SS - 133	1261		4
		1266		9
LED				
312008400	GLSHD40	1262		11
312008500	ZCOL.GLSEDS			1
LCD				
313001300	GMD4022BNLY			1
ZENER DIODE				
314023900	RDS.1ESB1 - T	1261		3

PARTS CODE	PARTS NAME SPECIFICATIONS	P.C. BOARD	IDENTIFICATION NO. FUNCTION	Q'TY
ICS				
320001061	µPD -40508C	1266		1
320001063	µPD -40538C	1261		3
320001071	µPD 74HC138C	1266		1
320001072	µPD 74HC24AC			2
320001097	74HC04C			1
320001128	µPD 43256C -15L			2
320001145	µPD65013G			1
320001146	-402 -10 µPD 70216GF			1
320001152	-8 -389 µPD 4364CX -12L			1
320001154	µPD 23C4000C			1
320001155	-150 µPD 23C4000C			1
320001156	-151 µPD 23C4000C			1
320001157	-152 µPD 23C4000C			1
320001158	-153 µPD 23C4000C			1
320001159	-154 µPD 23C4000C			1
320001160	-155 µPD 23C4000C			1
320001161	-156 µPD 23C4000C			1
320001162	-157 µPD 23C512EC			2
320001173	-039 µPD27C512C-15			2
320009072	MJM -55325	1261		8
320010002	CXD1095Q	1266		1
320011014	M -74LS138P			1
320011026	M -5216L	1262		1
320011036	M58990 P -1			1
320011062	M74LS245P	1266		3

320011063	M5218L	1266		1
320011067	M74ALS74P			1
320011076	M5238L	1261		3
320011089	M5195B5L	1266		1
320011100	M5M4464AL-12			5
320011101	M51204TL	1262		1
320012049	MB87402PF	1266		1
320012050	(QFP120) MB87403APF			1
320012051	(QFP120) MB87404PF			2
320012052	(QFP120) MB87405PF			1
320012055	(QFP120) MB670484PF			1
320012058	MB883512-15P-259			1
320036001	PCM54HP	1261		1
PHOTO COUPLER				
330001000	TLP-552	1263		1
TIME BASE MODULE				
335003000	KXO-01-32MHZ	1266		1
P.C. BOARDS				
343012610	KLM-1261	1261		1
343012620	KLM-1262	1262		1
343012630	KLM-1263	1263		1
343012640	KLM-1264	1264		1
343012660	KLM-1266	1266		1
VRS				
360021200	RK09K1110AB2A 10KB	1263		1
360021300	RK1631110R22A 10KB			2

PARTS CODE	PARTS NAME SPECIFICATIONS	P.C. BOARD	IDENTIFICATION NO. FUNCTION	Q'TY
SLIDE VRS				
365007800	RS30111AC00NA 10KB	1262		1
365008000	RS30112AC00JA 10KBX2			1
POWER SW				
375006100	SDL-1P			1
TACT SW				
375007500	SKHHAN	1262		34
COIL				
402002200	36640	1263 1266		9 6
402002300	BLO2RN2-R62	1263		6
402003400	2943-000301	1266		1
KEYBOARD				
420004000	FS-61			1
PHONE JACK				
454004400	YKB21-5010	1263		8
CONNECTOR TOP				
471060200	B2B-EH	1266		1
CONNECTOR				
471060300	B3B-EH	1266		1
471060400	B4B-EH	1261		1
471060700	B7B-EH			1
471060800	B8B-EH	1266		1
471061000	B10B-EH			2
471061100	B11B-EH			1
471061300	B13-EH			2
472060800	S8B-EH	1263		1

PARTS CODE	PARTS NAME SPECIFICATIONS	P.C. BOARD	IDENTIFICATION NO. FUNCTION	Q'TY
CARD FIT CONNECTOR				
474004721	ZC-040	1264		1
474004725	ZC-024	1266		1
BC CONNECTOR				
474009901	S-32	1266		1
HEADER				
474010500	HIF3FB-14PA- 2.54DSA	1266		1
SMCD CONNECTOR				
474011120	FC-24(1.6)	1261		1
CARD CONNECTOR				
474011300	HGC0338	1264		1
HARNES				
475001192	HNS-1192	1262		1
475001193	HNS-1193			1
475001194	HNS-1194			1
475001195	HNS-1195			1
475001196	HNS-1196	1263		1
475001197	HNS-1197			1
475001198	HNS-1198			1
475001199	HNS-1199			1
475001200	HNS-1200			1
475001201	HNS-1201	1262		1
475001202	HNS-1202	1264		1
475001203	HNS-1203	1262		1
475001204	HNS-1204	1261		1
IC SOCKET				
480001283	28P D1CF-28CS-E	1266		2

PARTS CODE	PARTS NAME SPECIFICATIONS	P.C. BOARD	IDENTIFICATION NO. FUNCTION	Q'TY
DIN JACK SOCKET				
480010180	(X3) M-1704	1263		1
RUBBER FEET				
500009500				4
RUBBER SPACER				
500012900				3
LITHIC BATTERY				
520001700	CR2032	1266		1
WIRE BAND				
540007200	PLT-1M			9
SPIRAL CLIP				
540008600	CS-8			3
INLET SOCKET				
540012300	PA-125-BS		240UK	1
540012400	PA-125-CU		220SC	1
			100JP	1
			220FR	1
			240GE	1
			220SE	1
			117US	1
			117CN	1
			240AU	1
			220WG	1
			240AF	1
			220GE	1
			117EX	1
P. C. BOARD SPACER				
540014500	SPS-3		220WG	6

PARTS CODE	PARTS NAME SPECIFICATIONS	P.C. BOARD	IDENTIFICATION NO. FUNCTION	Q'TY
SMCD HARNESS				
545020280	24 X 395ESX10	1261		1
545020290	40 X 395BDX X 10	1264		1
LED SPACER				
575013900	L = 4MM	1262		11
575013901	L = 3MM			1
AC CORD				
600003200	UC-948-S01		117US	1
600003300	UC-953-S01		117EX	1
600003400	EC-423-S01		117CN	1
600003500	SC-304-S01		220SE	1
600003600	EC-606-E01		240AU	1
			220GE	1
			220SC	1
			220FR	1
			240GE	1
			220WG	1
			240AF	1
			240UK	1
			100JP	1
POWER SW/ KNOB				
620018200				1
ROUND KNOB				
620018901	NO. 1GS			5
620019001	NO. 2GS			1
LEVER KNOB				
620019600				1
SLIDE VR KNOB				
620019700				2

PARTS CODE	PARTS NAME SPECIFICATIONS	P.C. BOARD	IDENTIFICATION NO. FUNCTION	QTY
LCD WINDOW				
630006500				1
PARAMETER SHEET M1				
630006800				1
SHIELDING SHEET				
630007000			220WG 117US	1 1
INSULATING SHEET				
630007100			220WG	1
WHEEL SPRING				
640089900				2
LOWER CASE				
640091500	M1			1
SIDE CHASSIS				
640091600	(L)/M1 (R)/M1			1 1
PU CHASSIS				
640091700				1
MAIN ANGLE A				
640091800				1
MAIN ANGLE B				
640091801				1
JACK PLATE				
640091900		1263		1
CARD ANGLE				
640092000		1264		1

PARTS CODE	PARTS NAME SPECIFICATIONS	P.C. BOARD	IDENTIFICATION NO. FUNCTION	QTY
SIDE KB ANGLE				
640092100				1
PANEL ANGLE				
640092200				2
KB ANGLE				
640092400				3
FRONT PANEL M1				
640092600				1
KB SUPPORT				
640094200				1
MIDI SHIELD				
640094300				1
SHIELDING TRAY				
640094400			220WG	1
SHIELDING TRAY COVER				
640094500			220WG	1
LEVER PIN				
644003800				1
EARTH SPRING (D)				
644003900			220WG	4
VR PLATE				
646027600				2
JOYSTICK X SUPPORT				
646027700				1

PARTS CODE	PARTS NAME SPECIFICATIONS	P.C. BOARD	IDENTIFICATION NO. FUNCTION	Q'TY
JOYSTICK Y SUPPORT				
646027800				1
LEVER				
646027900				1
JOYSTICK BOX				
646028000				1
PROG/SEQ CARD SLOT				
646028100				1
SLIDE VR FRAME 1				
646028200				1
PCM CARD SLOT				
646028300		1264		1
SIDE PANEL (L)				
646028400				1
SIDE PANEL (R)				
646028401				1
LCD HOOD				
646028500				1
JOYSTICK PANEL				
646028600				1
JOYSTICK UNDER COVER				
646028700				1
BATTERY HOLDER				
649007400		1266		1

PARTS CODE	PARTS NAME SPECIFICATIONS	P.C. BOARD	IDENTIFICATION NO. FUNCTION	Q'TY
LUG				
672001600	APHY N3			1
SERIAL NO.				
685099999				
SCREW				
715230308	CT B ZMC 3X8	1263	220WG	4
715230410	CT B ZMC 4X10	1264	220WG	5
715260308	CT B BZMC 3X8		220WG	43
			220SE	2
			220GE	2
			220WG	2
			240AF	2
			117CN	2
			117JUS	2
			240GE	2
			240AU	2
			240UK	2
			220FR	2
			220SC	2
			117EX	2
715260410	CT B BZMC 4X10			15
725030325	TP2G B ZMC 3X25			2
725030420	TP2G B ZMC 4X20			2
725060314	TP2G B BZMC 3X14			4
727030308	TP2G FEW ZMC 3X8			4
745060308	PLAX B BZMC 3X8	1264		24
				2
NUT				
773030700	VN ZMC 7			2
WASHER				
780030300	WM ZMC 3		220WG	4
784030300	TWU ZMC 3			3
784030400	TWU ZMC 4		220WG	4
				1

ADVARSELI

Lithiumbatteri. Eksplosionsfare. Udsiftning må kun foretages af en sagkyndig, og som beskrevet i service manualen. Batteriet må kun udskiftes med batterier af samme fabrikat og type.

Litiumparisto!

Pariston saa vaihtaa ainoastaan huoltohenkilöstö saman valmistajan vastaavalla tyypillä. Virheellisestä käsittelystä syntyy räjähdysvaara.

KORG

KORG INC. 15-12, Shimotakaido 1-chome, Suginami-ku, Tokyo 168
