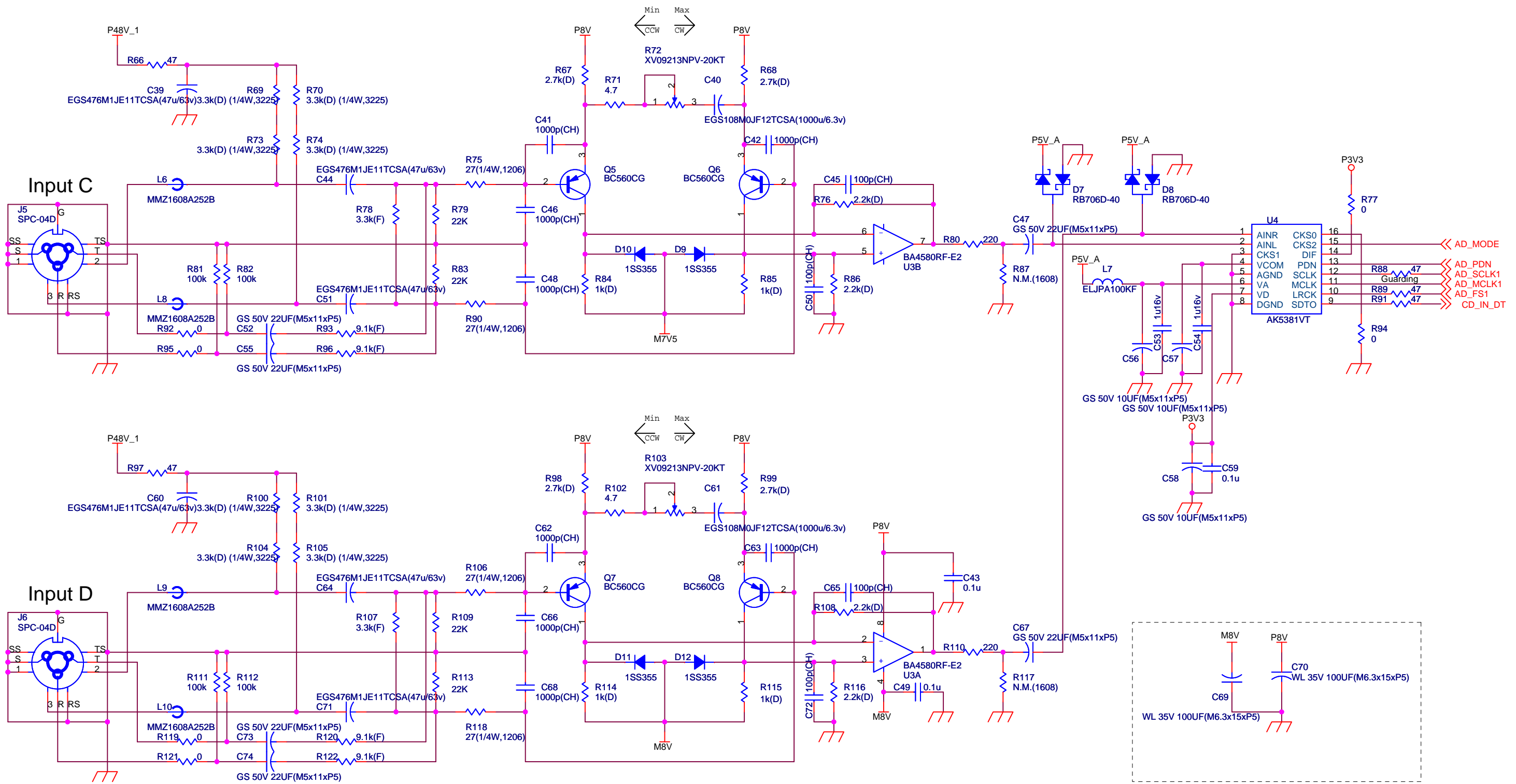


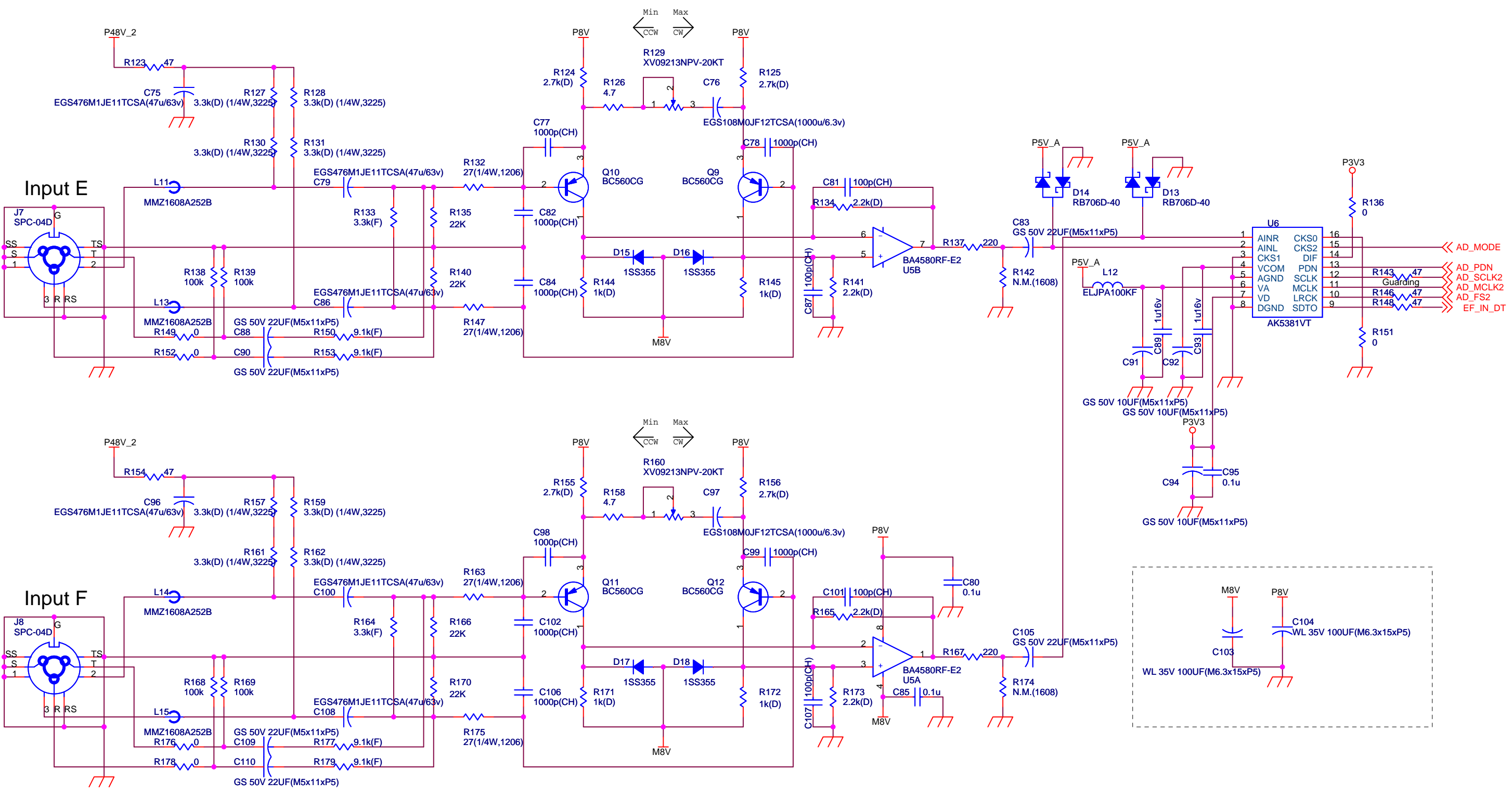
					MATERIAL 材料		
					FINISH 仕上	E904386	00C
					TREATMENT 処理	PART NO. 品番 APPLICATION 適用	
					TOLERANCE 公差	PART TITLE 品名	
REV	E.C.N. NO.	DATE	PLANNED	APPROVED	PCB,AUDIO DP24 G		
APPROVED		. .	UNIT mm		DWG TITLE		
CHECKED		. .	ANGLE		図名 SCHEMATIC,PCB AUDIO DP24 G		
PLANNED	shida	12.03.21	SCALE		DWG NO.		DWG CODE
DRAWN	shida	12.03.21	:		図番		<b>B</b>

D002590-01A



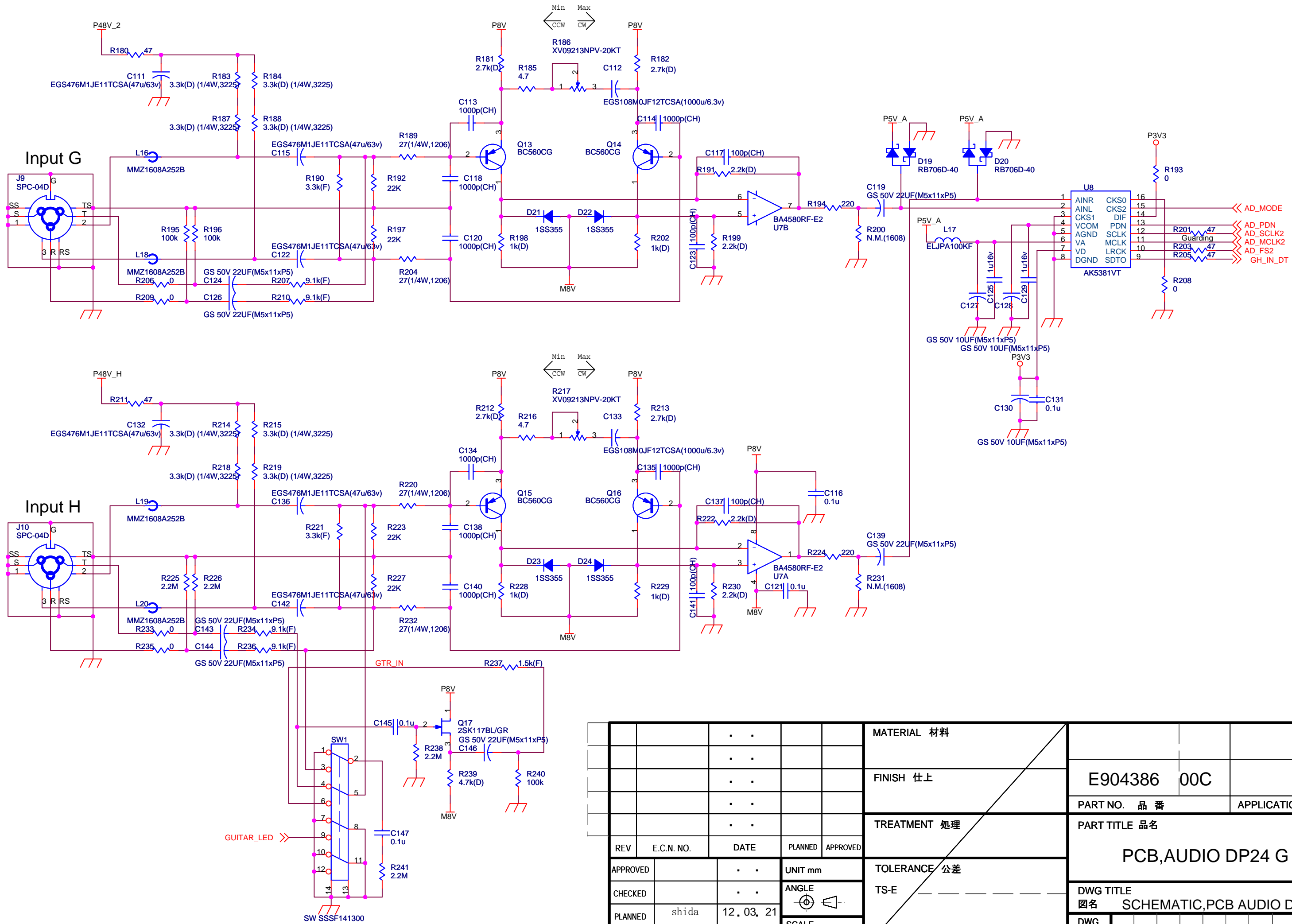
					MATERIAL 材料			
					FINISH 仕上		E904386 00C	
					TREATMENT 処理		PART NO. 品番 APPLICATION 適用	
					TOLERANCE 公差		PART TITLE 品名	
REV	E.C.N. NO.	DATE	PLANNED	APPROVED	PCB,AUDIO DP24 G			
APPROVED			UNIT mm		DWG TITLE 図名 SCHEMATIC,PCB AUDIO DP24 G			
CHECKED			ANGLE					
PLANNED	shida	12.03.21	SCALE					
DRAWN	shida	12.03.21			DWG NO. 図番			
					DWG CODE <b>B</b>			

D002590-01A

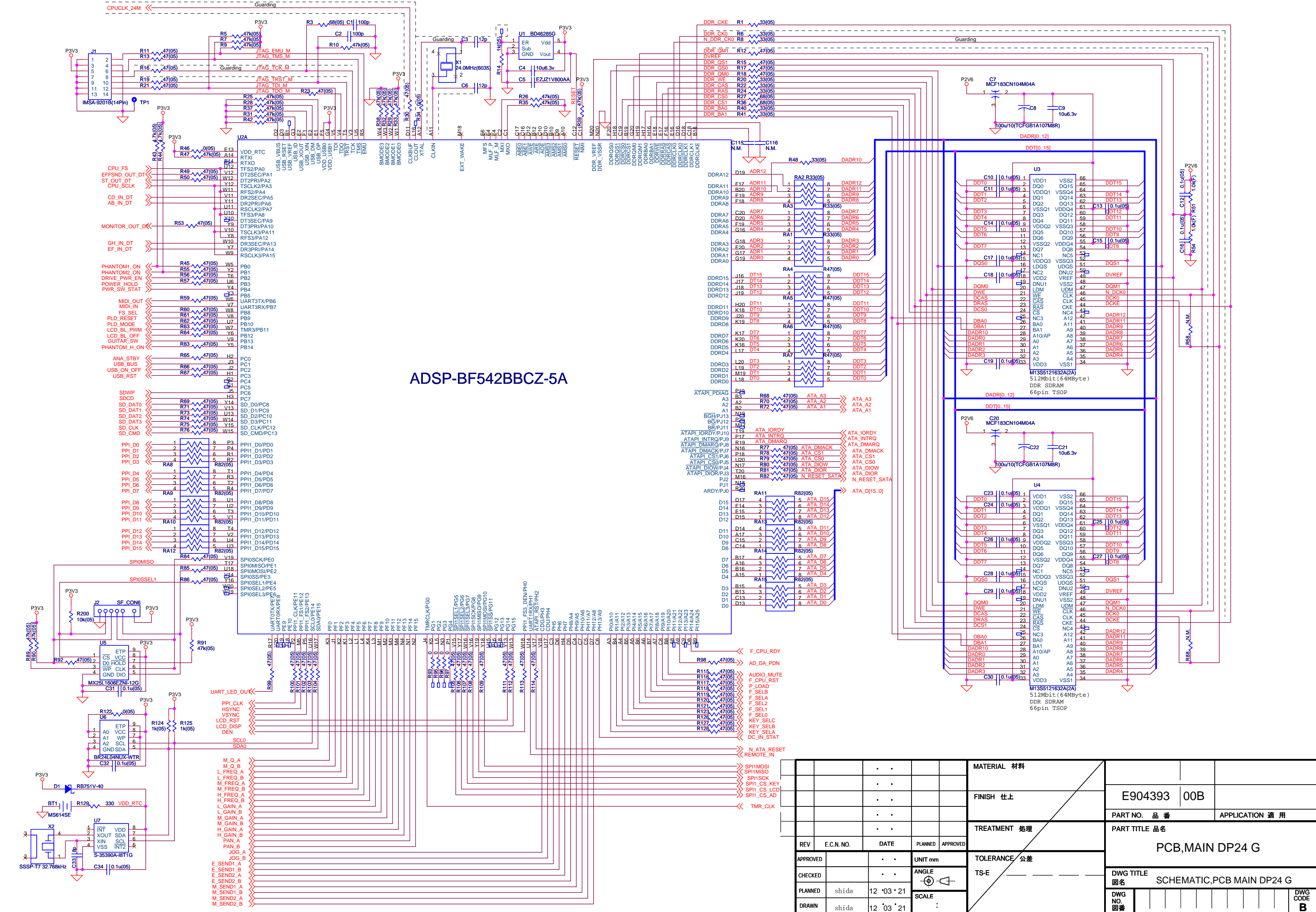


					MATERIAL 材料			
					FINISH 仕上		E904386 00C	
					TREATMENT 処理		PART NO. 品番 APPLICATION 適用	
					TOLERANCE 公差		PART TITLE 品名	
REV	E.C.N. NO.	DATE	PLANNED	APPROVED	TS-E		PCB,AUDIO DP24 G	
APPROVED		. .	UNIT mm				DWG TITLE	
CHECKED		. .	ANGLE				図名 SCHEMATIC,PCB AUDIO DP24 G	
PLANNED	shida	12.03.21	SCALE				DWG NO.	
DRAWN	shida	12.03.21					図番	
							DWG CODE	
							B	

D002590-01A

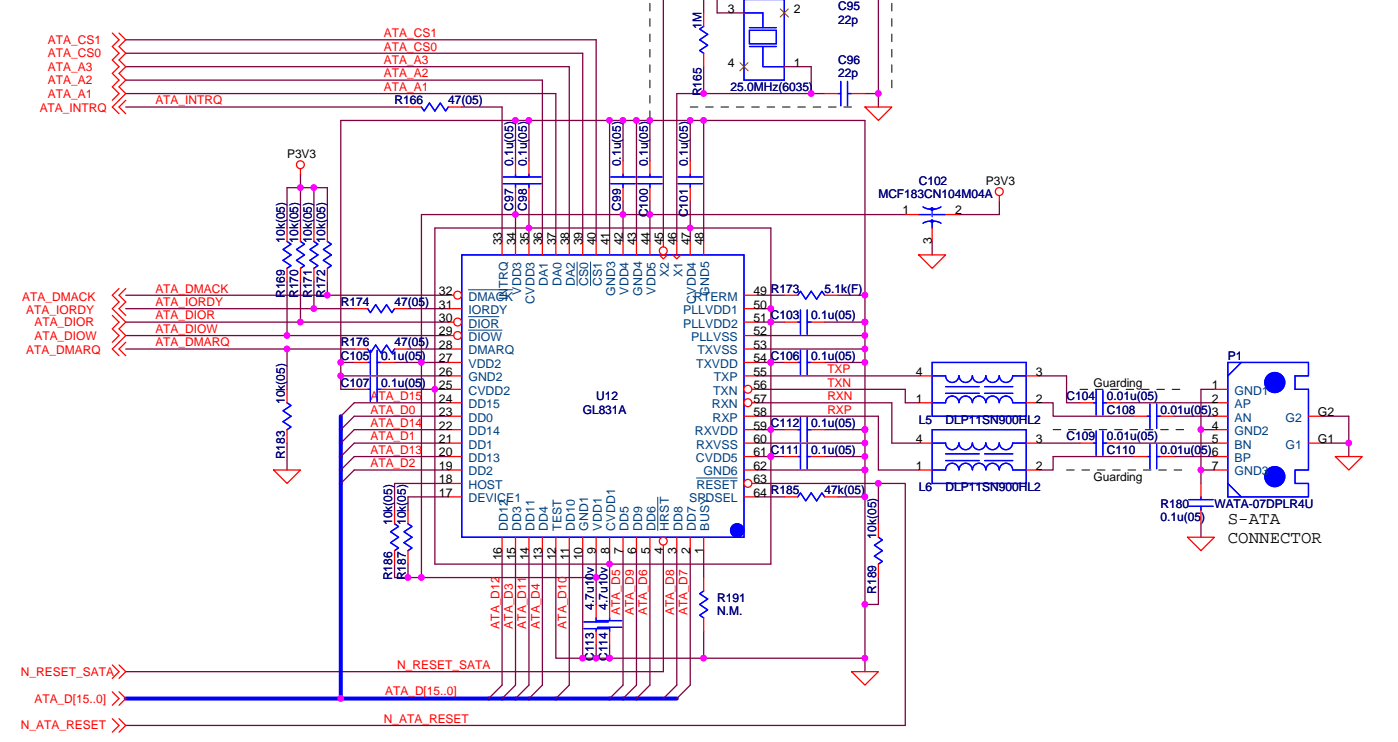
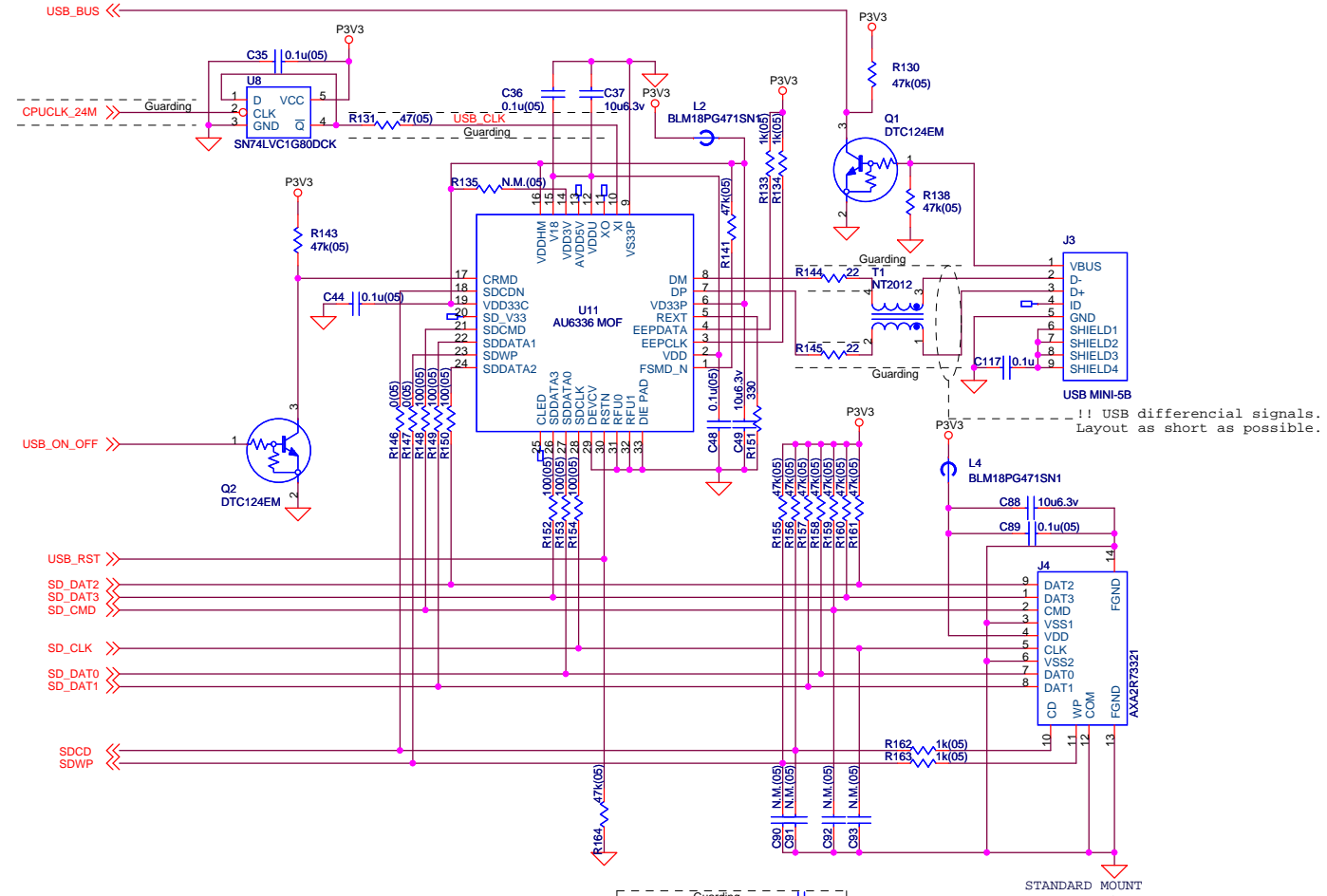
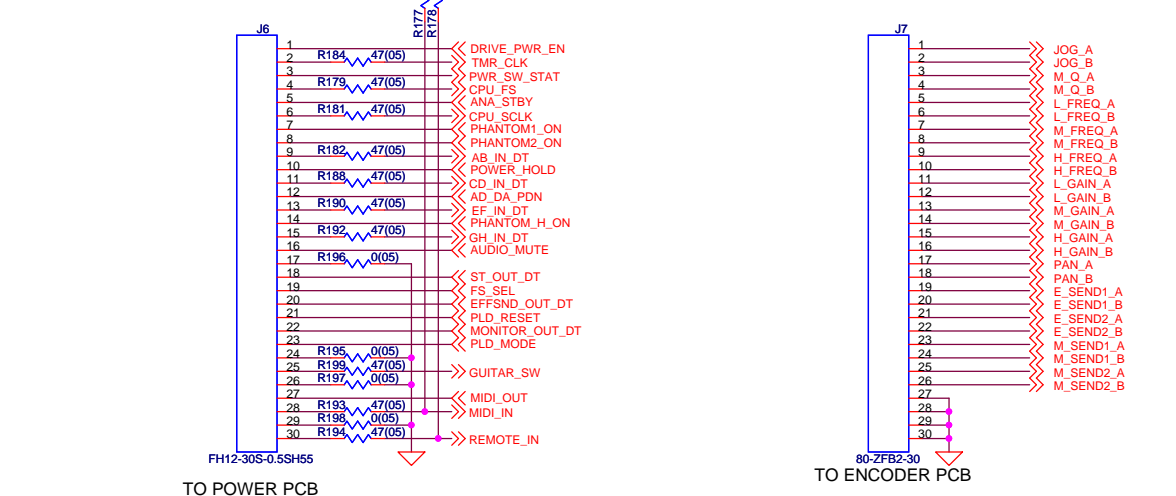
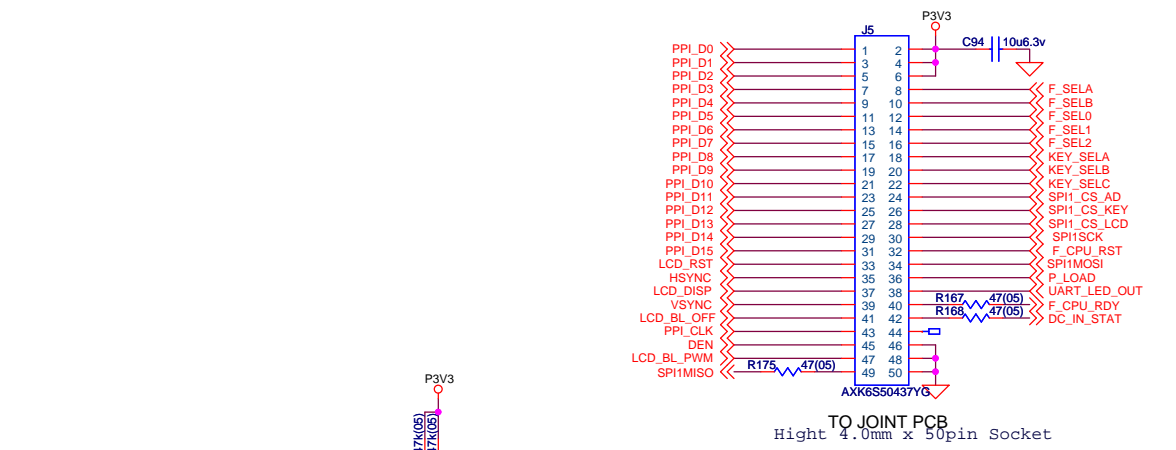
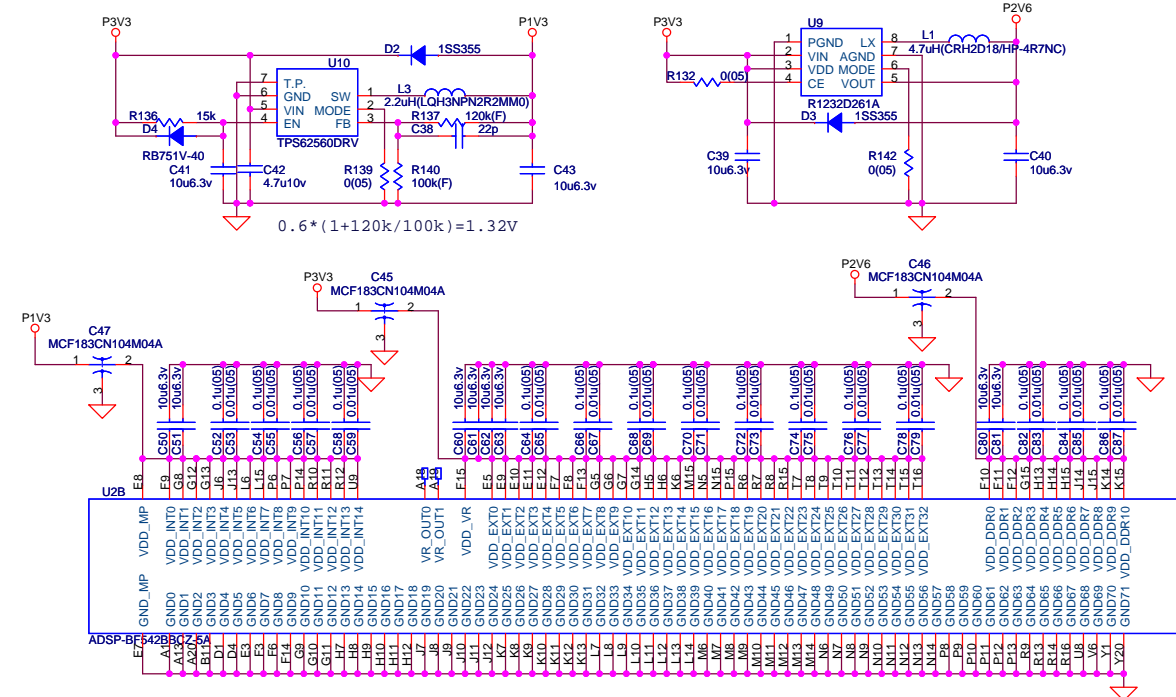


					MATERIAL 材料			
					FINISH 仕上		E904386 00C	
					TREATMENT 処理		PART NO. 品番 APPLICATION 適用	
					TOLERANCE 公差		PART TITLE 品名	
					TS-E		PCB,AUDIO DP24 G	
					DWG TITLE		図名 SCHEMATIC,PCB AUDIO DP24 G	
					DWG NO. 図番		DWG CODE	
					B			

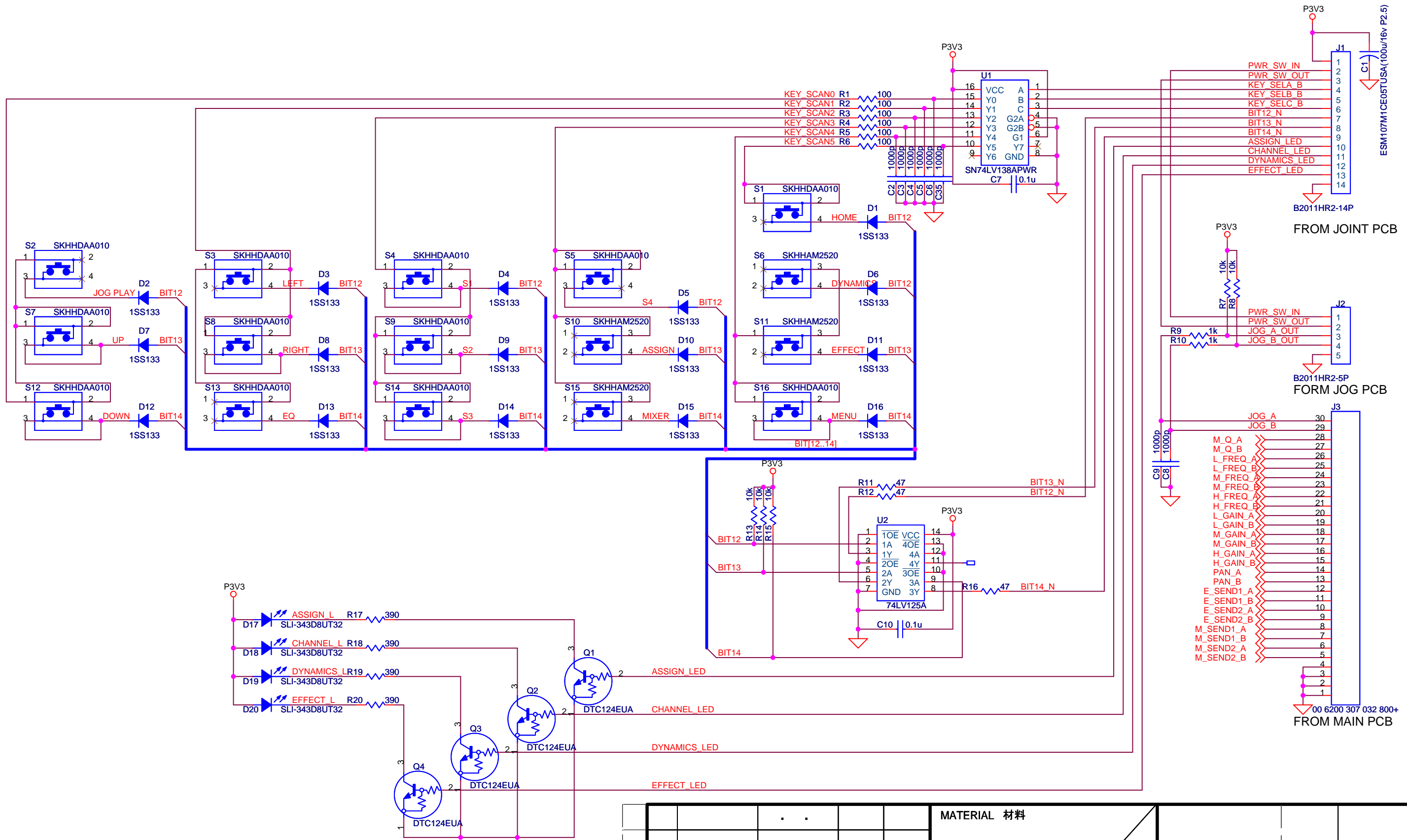


ADSP-BF542BBCZ-5A

				MATERIAL 材料			
				FINISH 仕上		E904393 00B	
				TREATMENT 処理		PART NO. 品番 APPLICATION 適用	
				TOLERANCE 公差		PART TITLE 品名	
				TS-E		PCB,MAIN DP24 G	
				SCALE		DWG TITLE 図名	
						SCHEMATIC,PCB MAIN DP24 G	
						DWG NO. 図番	
						DWG CODE	
						B	

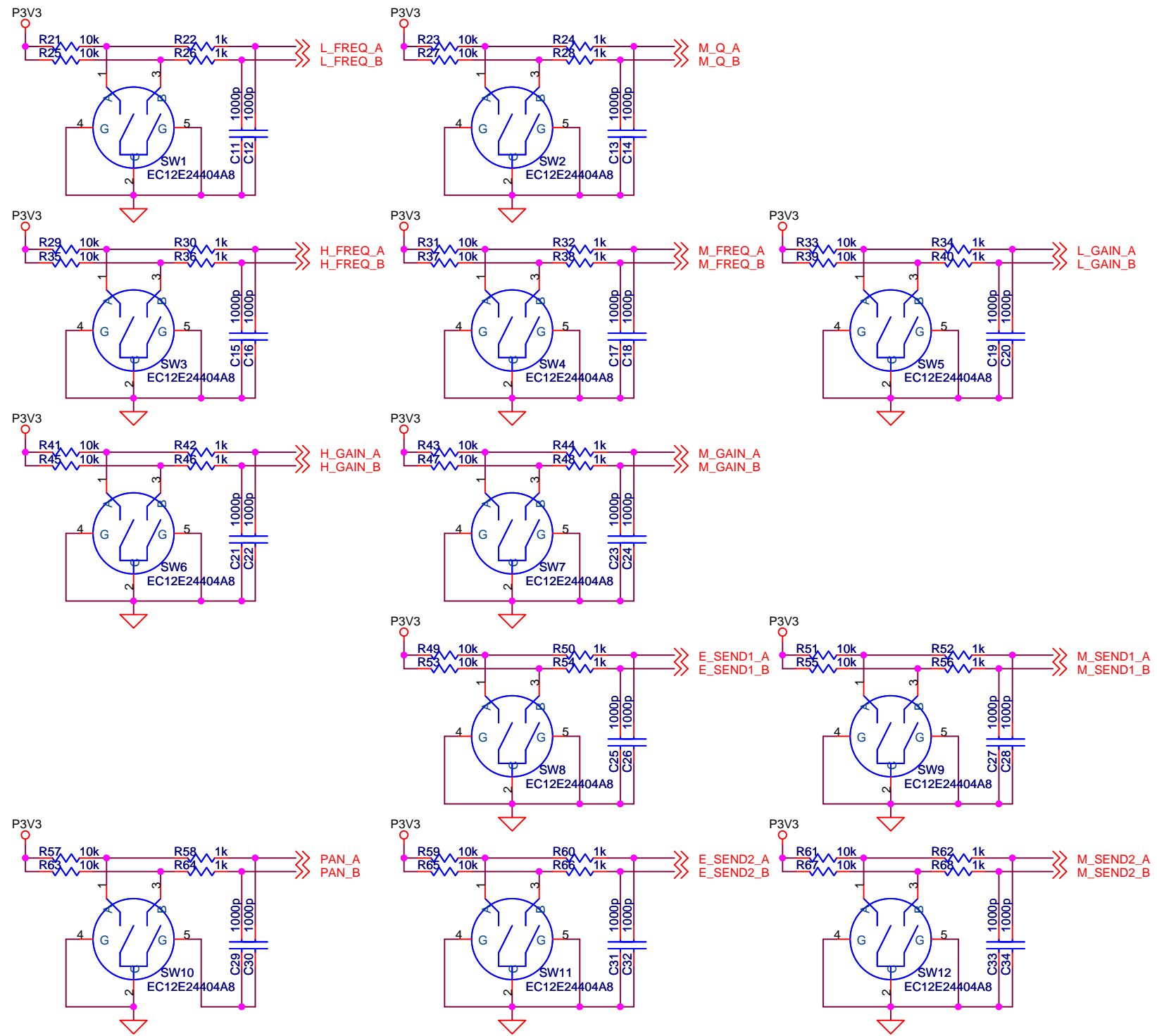


				MATERIAL 材料			
				FINISH 仕上		E904393 00B	
				TREATMENT 処理		PART NO. 品番 APPLICATION 適用	
				TOLERANCE 公差		PART TITLE 品名	
REV E.C.N. NO. DATE PLANNED APPROVED				UNIT mm		PCB, MAIN DP24 G	
APPROVED				ANGLE		DWG TITLE 図名	
CHECKED				SCALE		SCHEMATIC, PCB MAIN DP24 G	
PLANNED shida 12 '03 '21						DWG NO. 図番	
DRAWN shida 12 '03 '21						DWG CODE B	



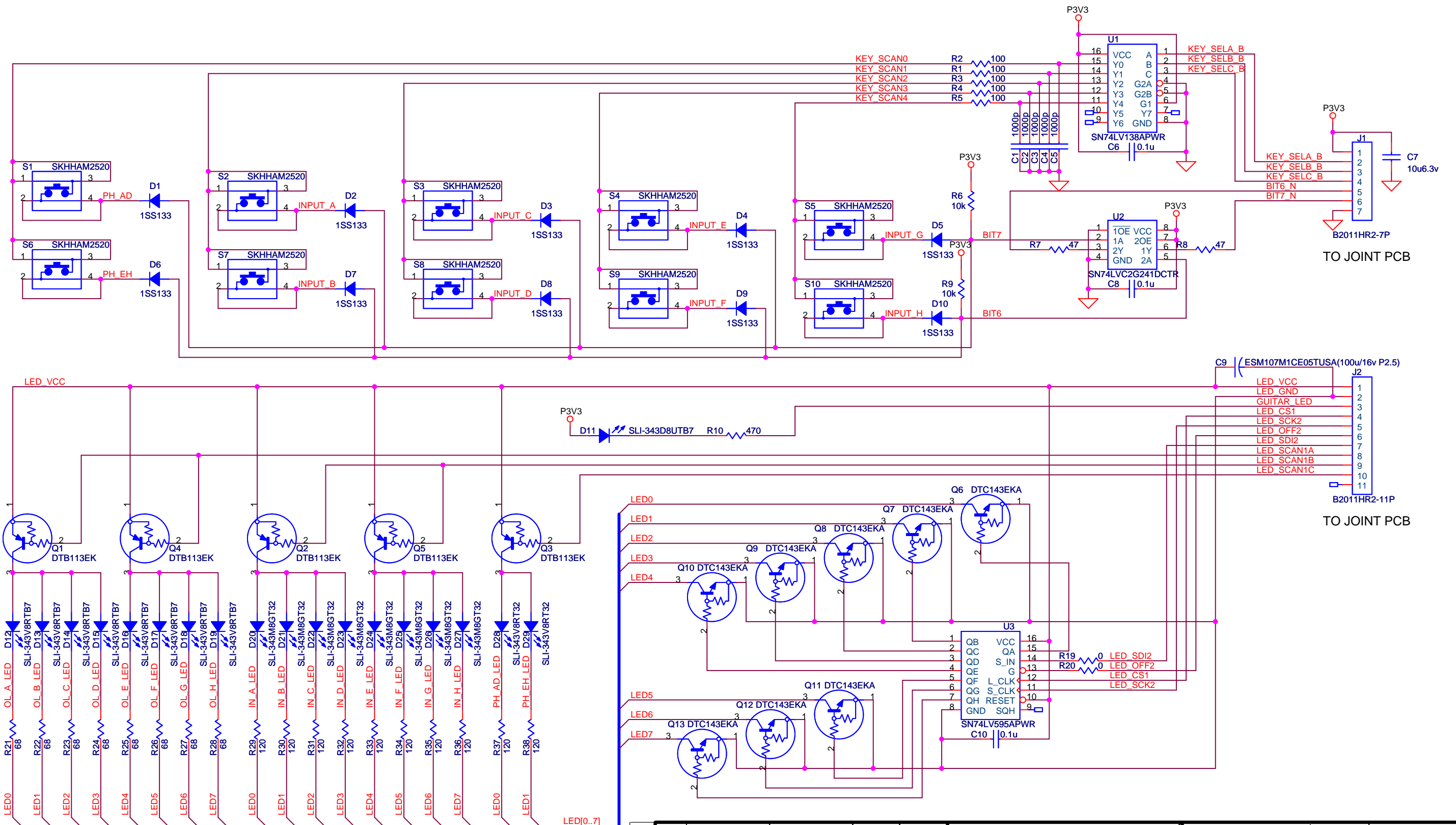
					MATERIAL 材料		
					FINISH 仕上	E904397	00C
					TREATMENT 処理	PART NO. 品番 APPLICATION 適用	
					TOLERANCE 公差	PART TITLE 品名	
REV	E.C.N. NO.	DATE	PLANNED	APPROVED	PCB,ENCODER DP24 G		
APPROVED			UNIT mm		DWG TITLE		
CHECKED			ANGLE		図名 SCHEMATIC,PCB ENCODER DP24 G		
PLANNED	shida	12.03.21	SCALE		DWG NO.		DWG CODE
DRAWN	shida	12.03.21			図番		<b>B</b>

D002590-01A



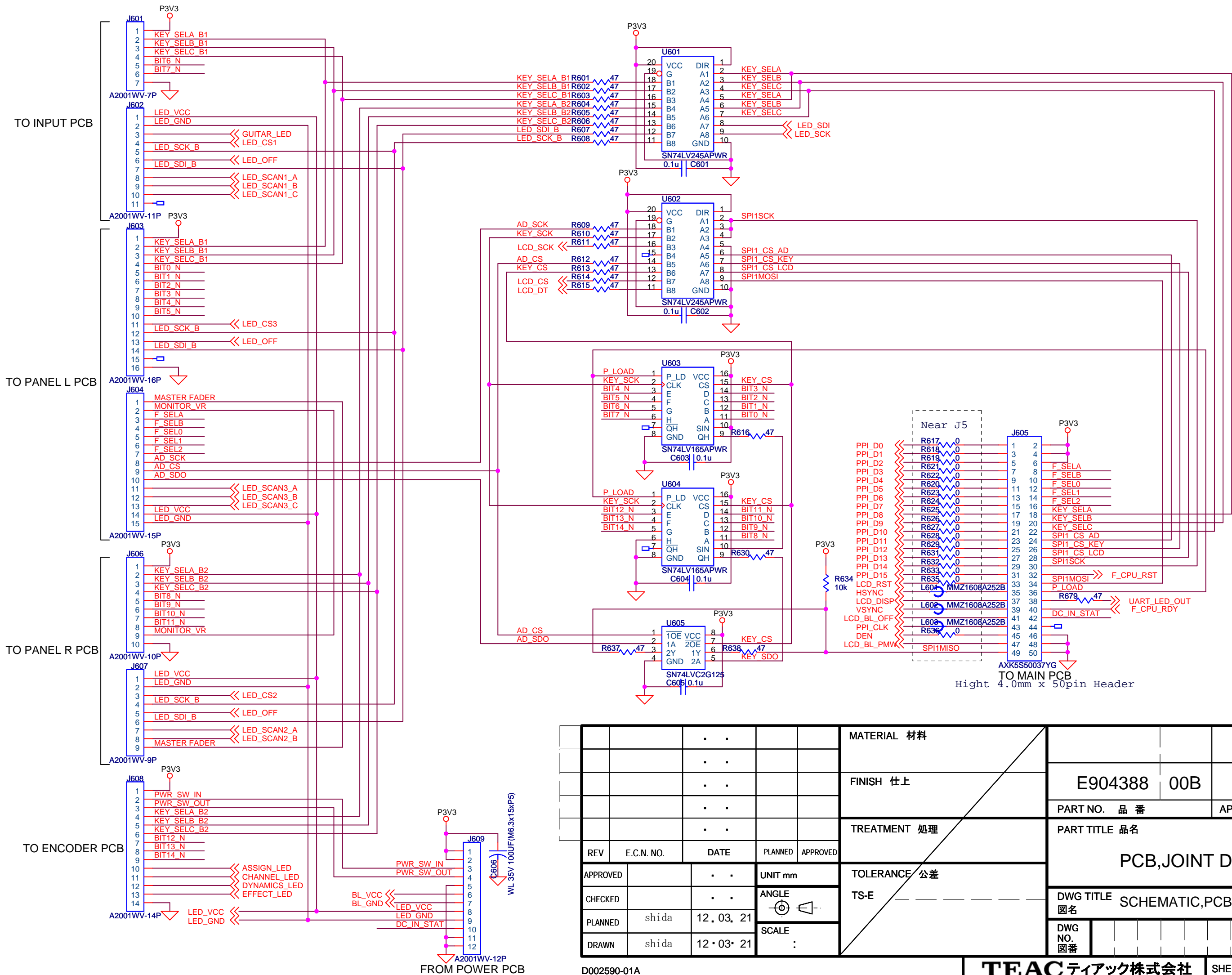
					MATERIAL 材料			
					FINISH 仕上		E904397 00C	
					TREATMENT 処理		PART NO. 品番 APPLICATION 適用	
					TOLERANCE 公差		PART TITLE 品名	
REV	E.C.N. NO.	DATE	PLANNED	APPROVED	TS-E		PCB,ENCODER DP24 G	
APPROVED			UNIT mm		DWG TITLE 図名 SCHEMATIC,PCB ENCODER DP24 G		DWG NO. 図番	
CHECKED			ANGLE				DWG CODE	
PLANNED	shida	12.03.21	SCALE				B	
DRAWN	shida	12.03.21						



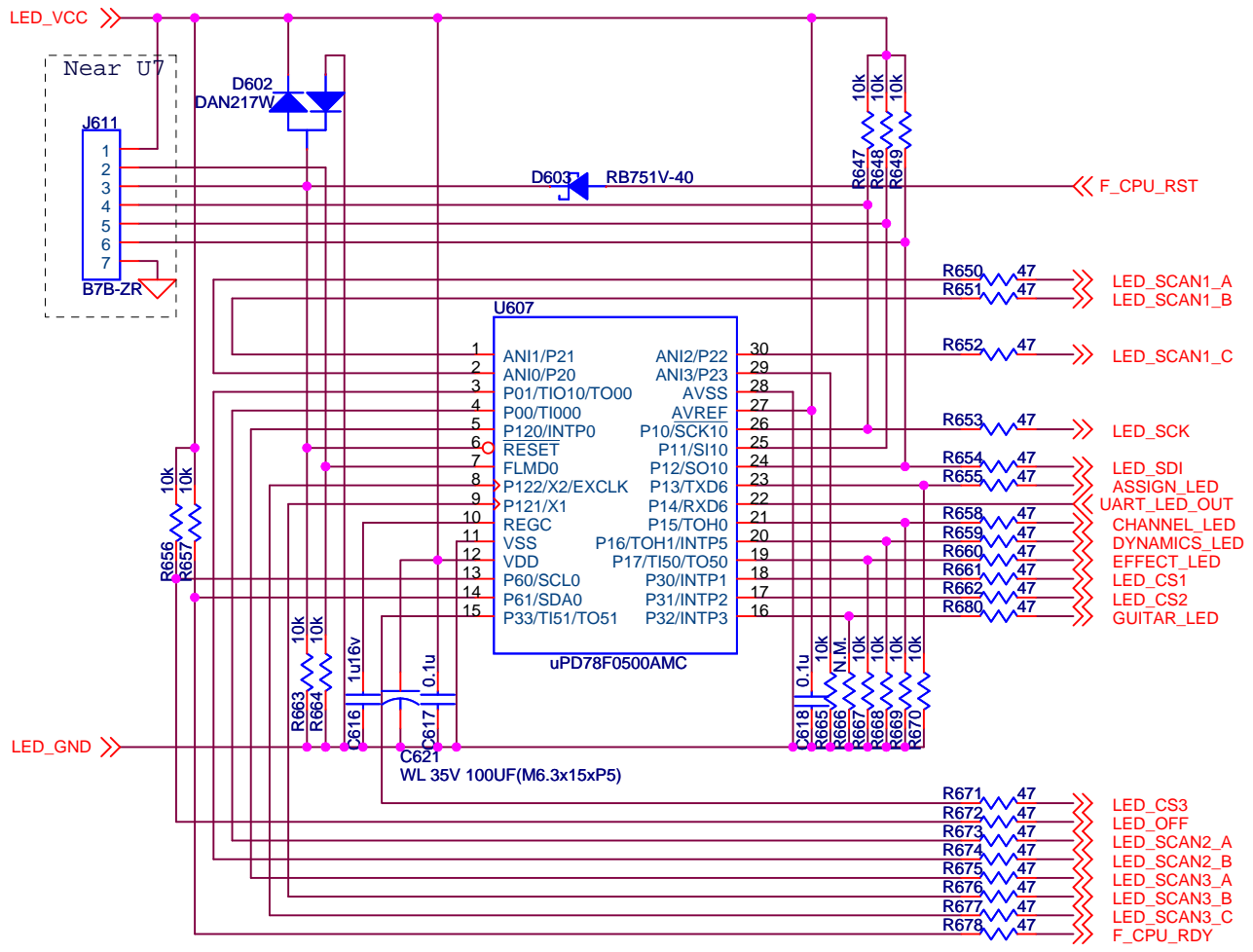
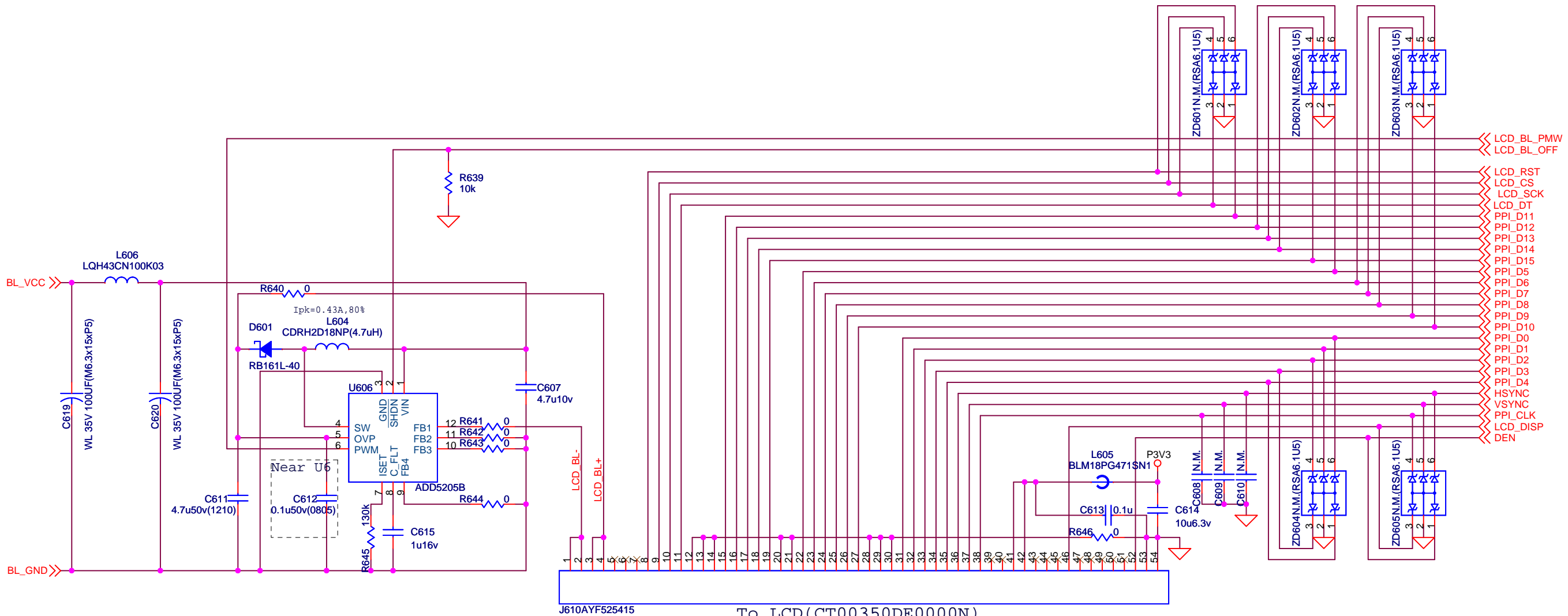


					MATERIAL 材料		
					FINISH 仕上	E904396	00C
					TREATMENT 処理	PART NO. 品番 APPLICATION 適用	
					TOLERANCE 公差	PART TITLE 品名	
REV	E.C.N. NO.	DATE	PLANNED	APPROVED	PCB,INPUT DP24 G		
APPROVED		. .	UNIT mm		DWG TITLE		
CHECKED		. .	ANGLE		図名 SCHEMATIC,PCB INPUT DP24 G		
PLANNED	shida	12.03.21	SCALE		DWG NO.		DWG CODE
DRAWN	shida	12.03.21			図番		<b>B</b>

D002590-01A

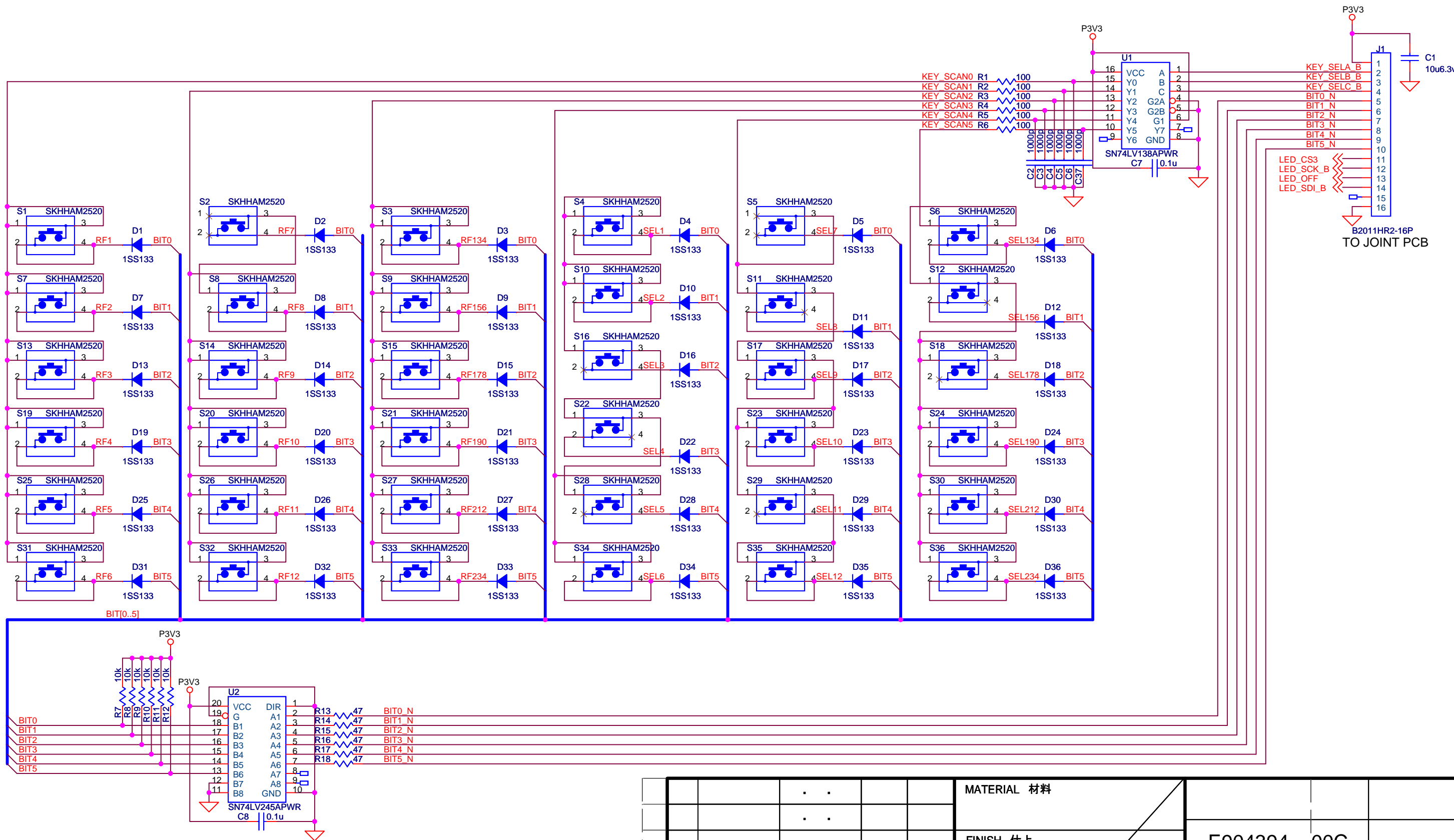


					MATERIAL 材料			
					FINISH 仕上		E904388 00B	
					TREATMENT 処理		PART NO. 品番 APPLICATION 適用	
					TOLERANCE 公差		PART TITLE 品名	
					TS-E		PCB,JOINT DP24 G	
					DWG TITLE 図名		SCHEMATIC,PCB JOINT DP24 G	
					DWG NO. 図番		DWG CODE	
					SCALE		B	



					MATERIAL 材料			
					FINISH 仕上		E904388 00B	
					TREATMENT 処理		PART NO. 品番 APPLICATION 適用	
					TOLERANCE 公差		PART TITLE 品名	
					TS-E		PCB,JOINT DP24 G	
					DWG TITLE 図名		SCHEMATIC,PCB JOINT DP24 G	
					DWG NO. 図番		DWG CODE	
							B	

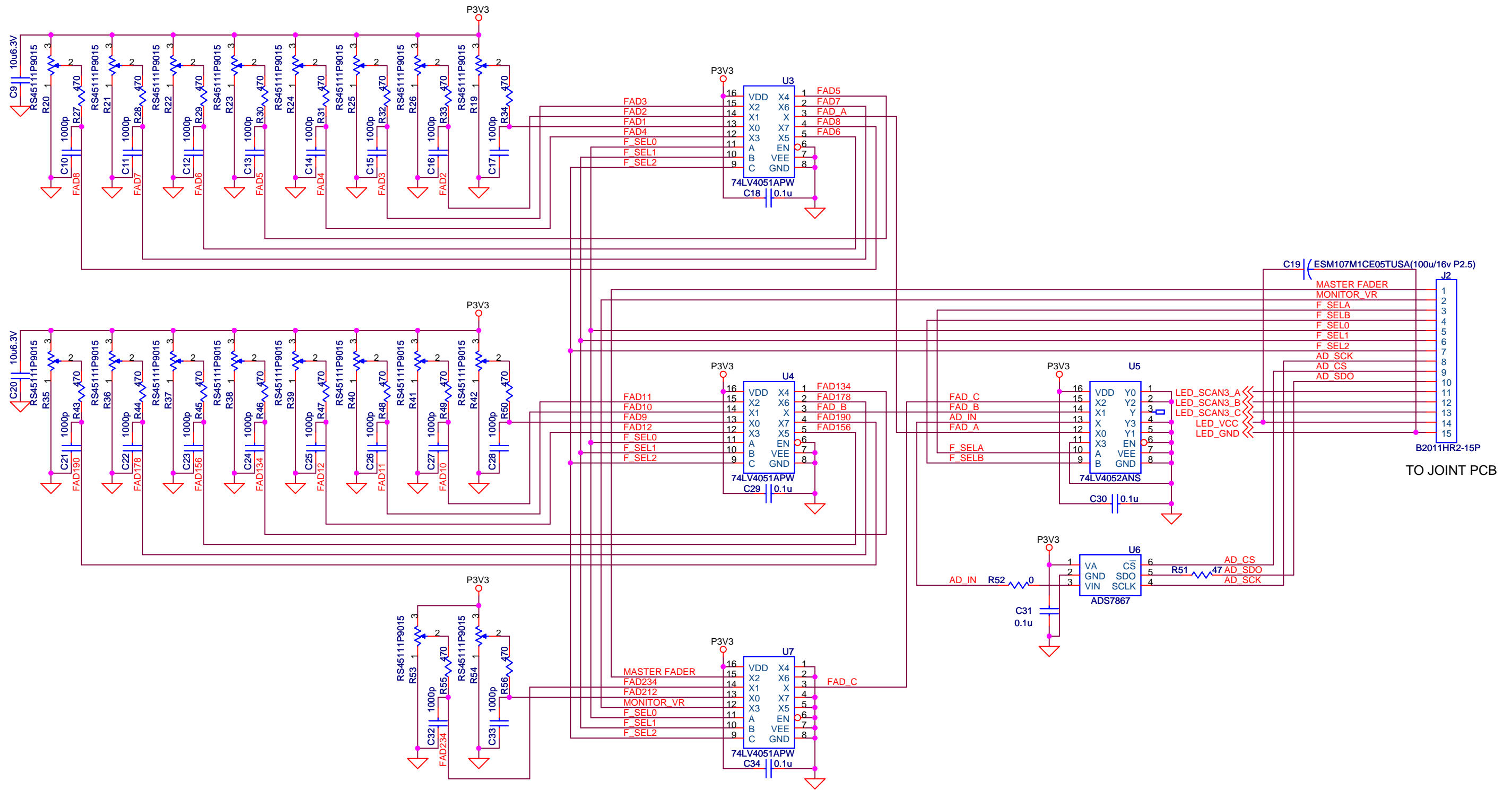
REV	E.C.N. NO.	DATE	PLANNED	APPROVED
APPROVED		. .	UNIT mm	
CHECKED		. .	ANGLE	
PLANNED	shida	12.03.21	SCALE	
DRAWN	shida	12.03.21		



					MATERIAL 材料			
					FINISH 仕上		E904394 00C	
					TREATMENT 処理		PART NO. 品番 APPLICATION 適用	
					TOLERANCE 公差		PART TITLE 品名	
					TS-E		PCB,PANEL L DP24 G	
							DWG TITLE	
							図名 SCHEMATIC,PCB PANEL L DP24 G	
							DWG NO. 図番	
							DWG CODE	
							B	

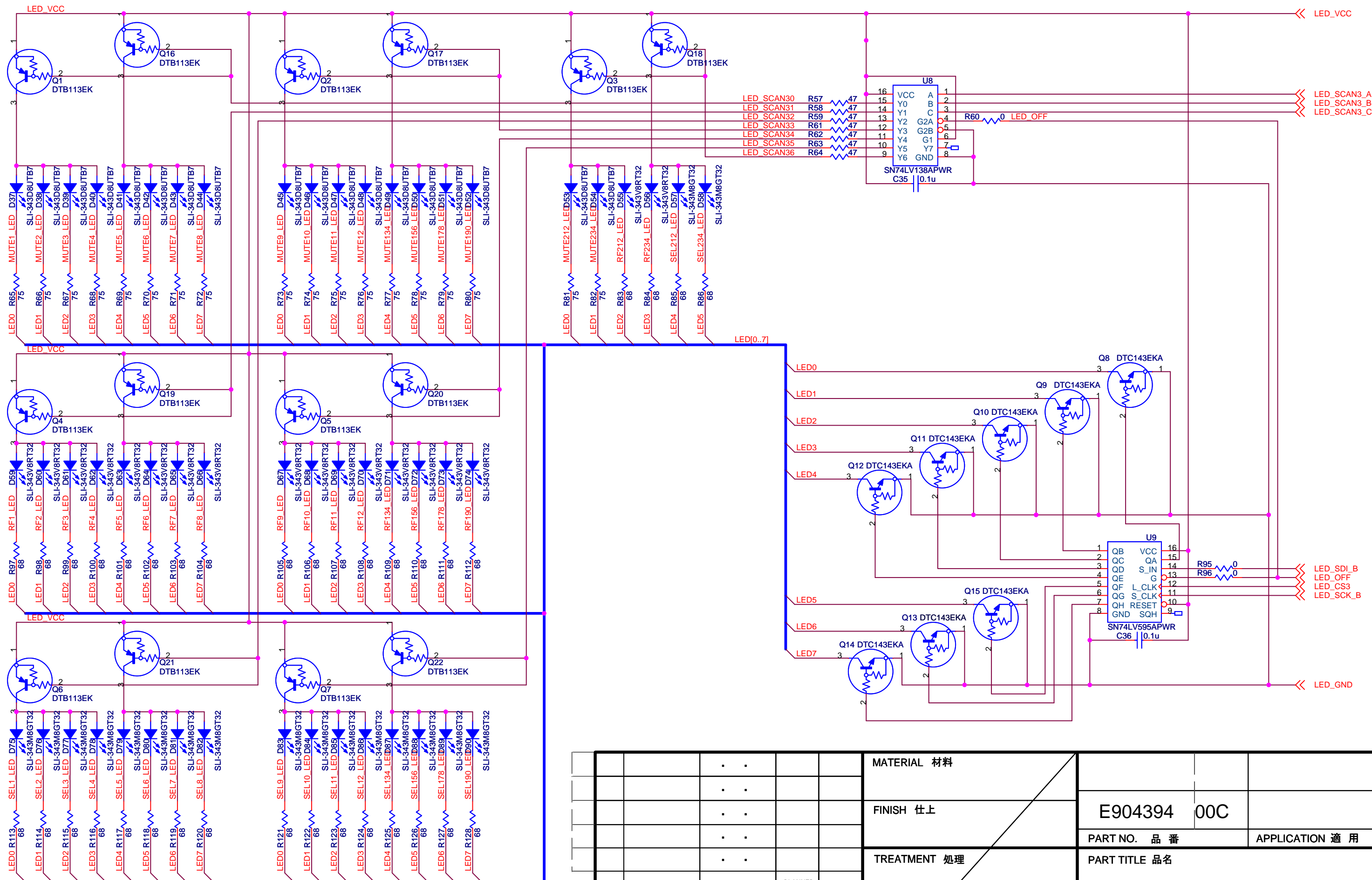
REV	E.C.N. NO.	DATE	PLANNED	APPROVED
APPROVED			UNIT mm	
CHECKED			ANGLE	
PLANNED	shida	12.03.21	SCALE	
DRAWN	shida	12.03.21		

D002590-01A

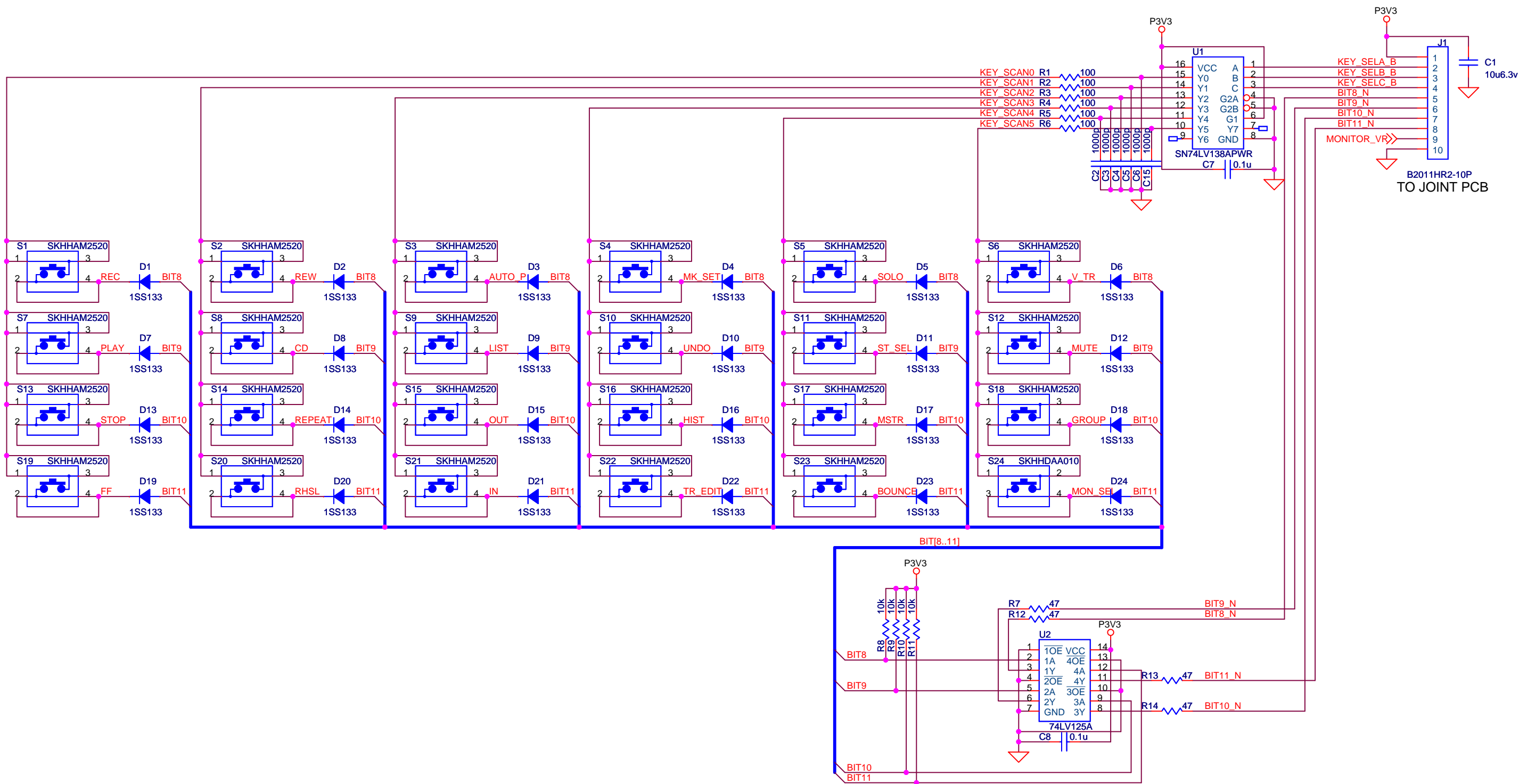


					MATERIAL 材料			
					FINISH 仕上		E904394 00C	
					TREATMENT 処理		PART NO. 品番 APPLICATION 適用	
					TOLERANCE 公差		PART TITLE 品名	
REV	E.C.N. NO.	DATE	PLANNED	APPROVED	UNIT mm		PCB,PANEL L DP24 G	
APPROVED					ANGLE		DWG TITLE	
CHECKED					SCALE		図名 SCHEMATIC,PCB PANEL L DP24 G	
PLANNED	shida	12.03.21					DWG NO. 図番	
DRAWN	shida	12.03.21					DWG CODE B	

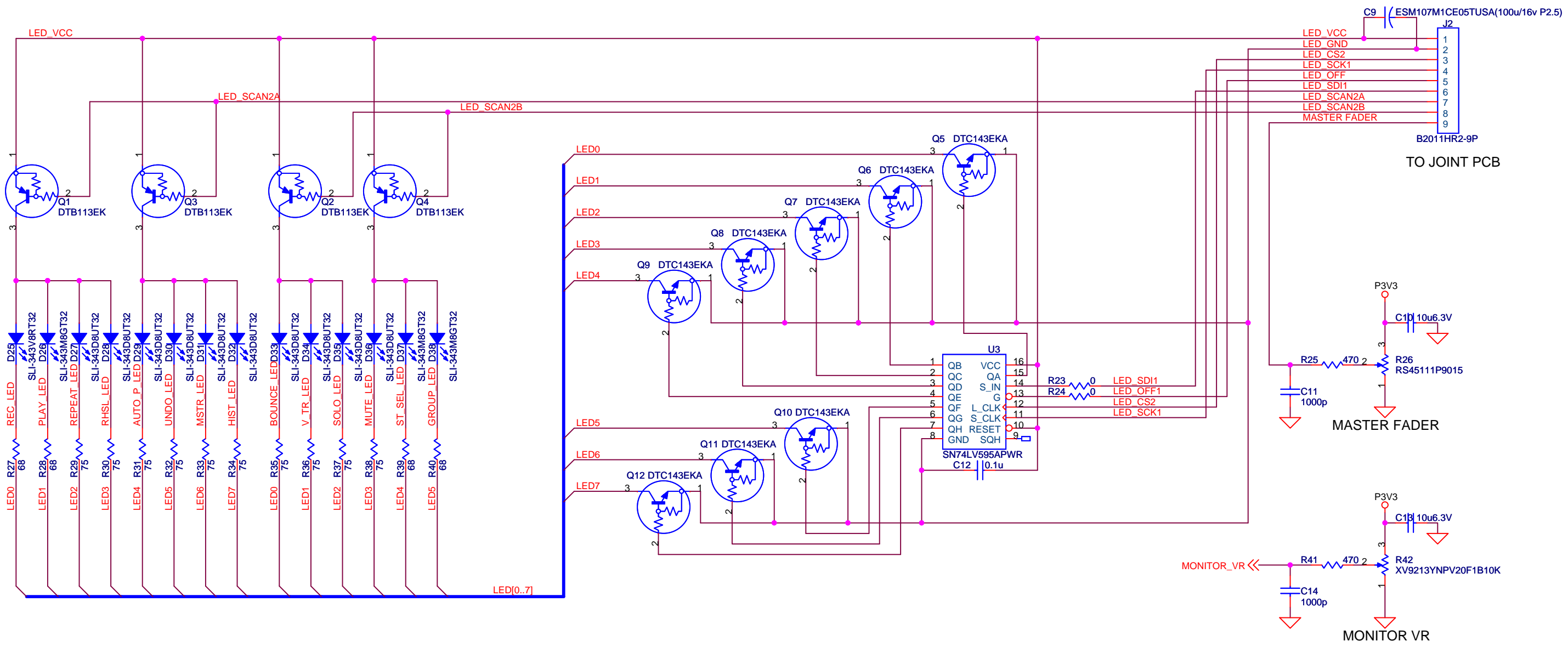
D002590-01A



					MATERIAL 材料			
					FINISH 仕上		E904394 00C	
					TREATMENT 処理		PART NO. 品番 APPLICATION 適用	
					TOLERANCE 公差		PART TITLE 品名	
REV	E.C.N. NO.	DATE	PLANNED	APPROVED	TS-E		PCB,PANEL L DP24 G	
APPROVED		. .	UNIT mm		DWG TITLE			
CHECKED		. .	ANGLE		図名 SCHEMATIC,PCB PANEL L DP24 G			
PLANNED	shida	12.03.21	SCALE		DWG NO.		DWG CODE	
DRAWN	shida	12.03.21			図番		B	

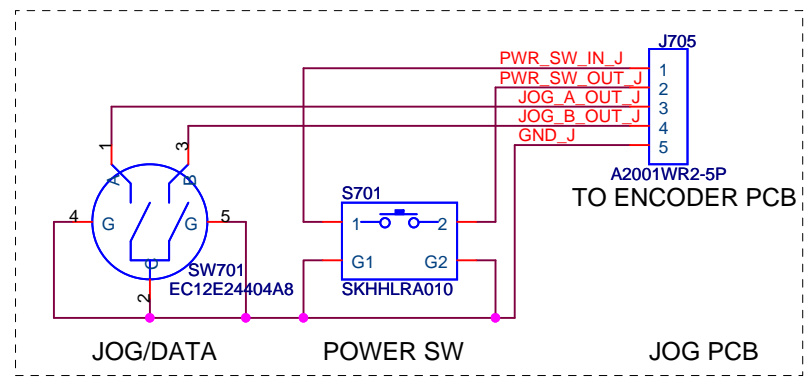
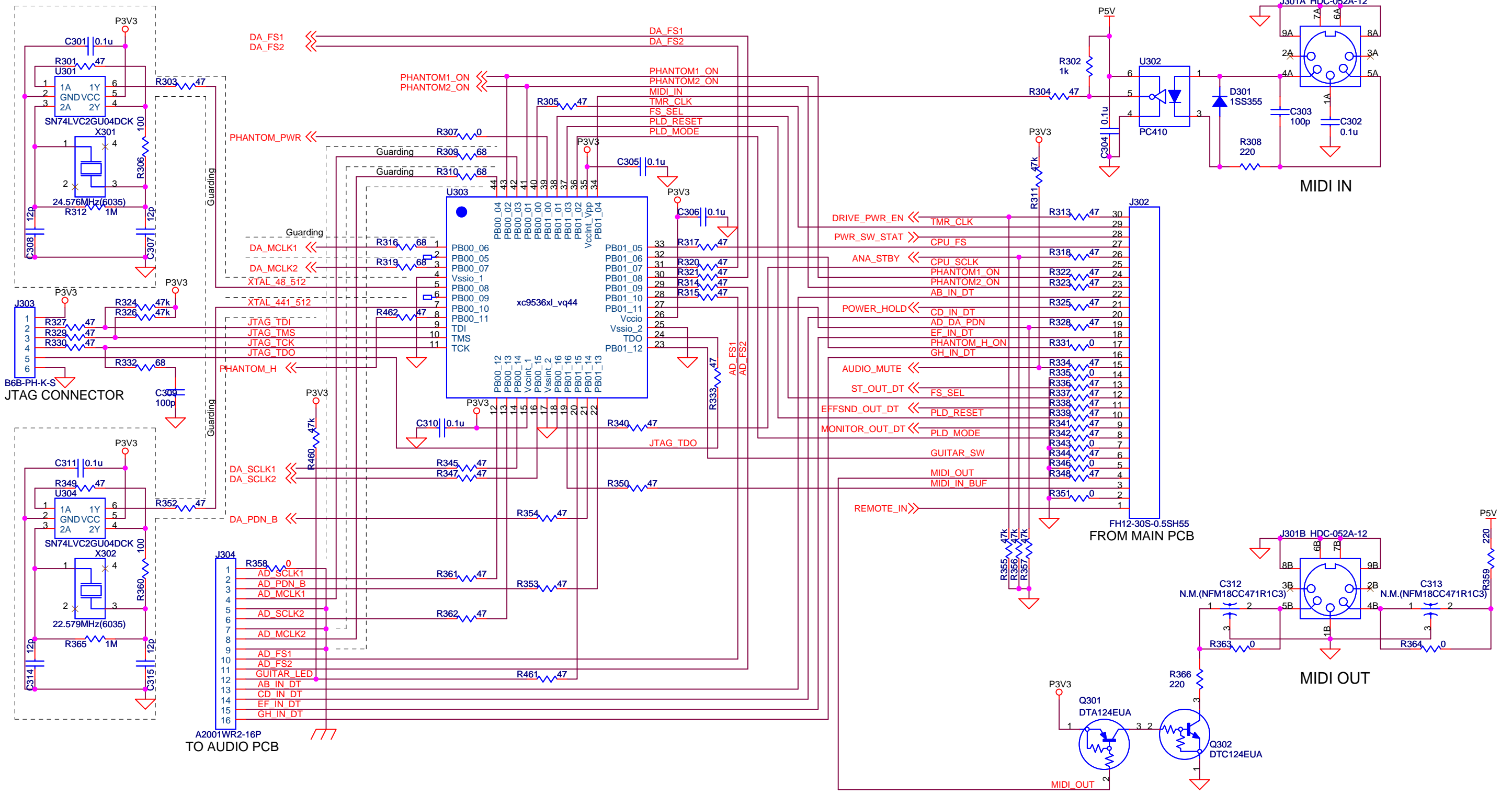


					MATERIAL 材料		
					FINISH 仕上	E904395	00C
					TREATMENT 処理	PART NO. 品番 APPLICATION 適用	
REV	E.C.N. NO.	DATE	PLANNED	APPROVED	PART TITLE 品名		
APPROVED		. .	UNIT mm		PCB,PANEL R DP24 G		
CHECKED		. .	ANGLE		DWG TITLE		
PLANNED	shida	12.03.21	SCALE		図名 SCHEMATIC,PCB PANEL R DP24 G		
DRAWN	shida	12.03.21			DWG NO. 図番		DWG CODE B

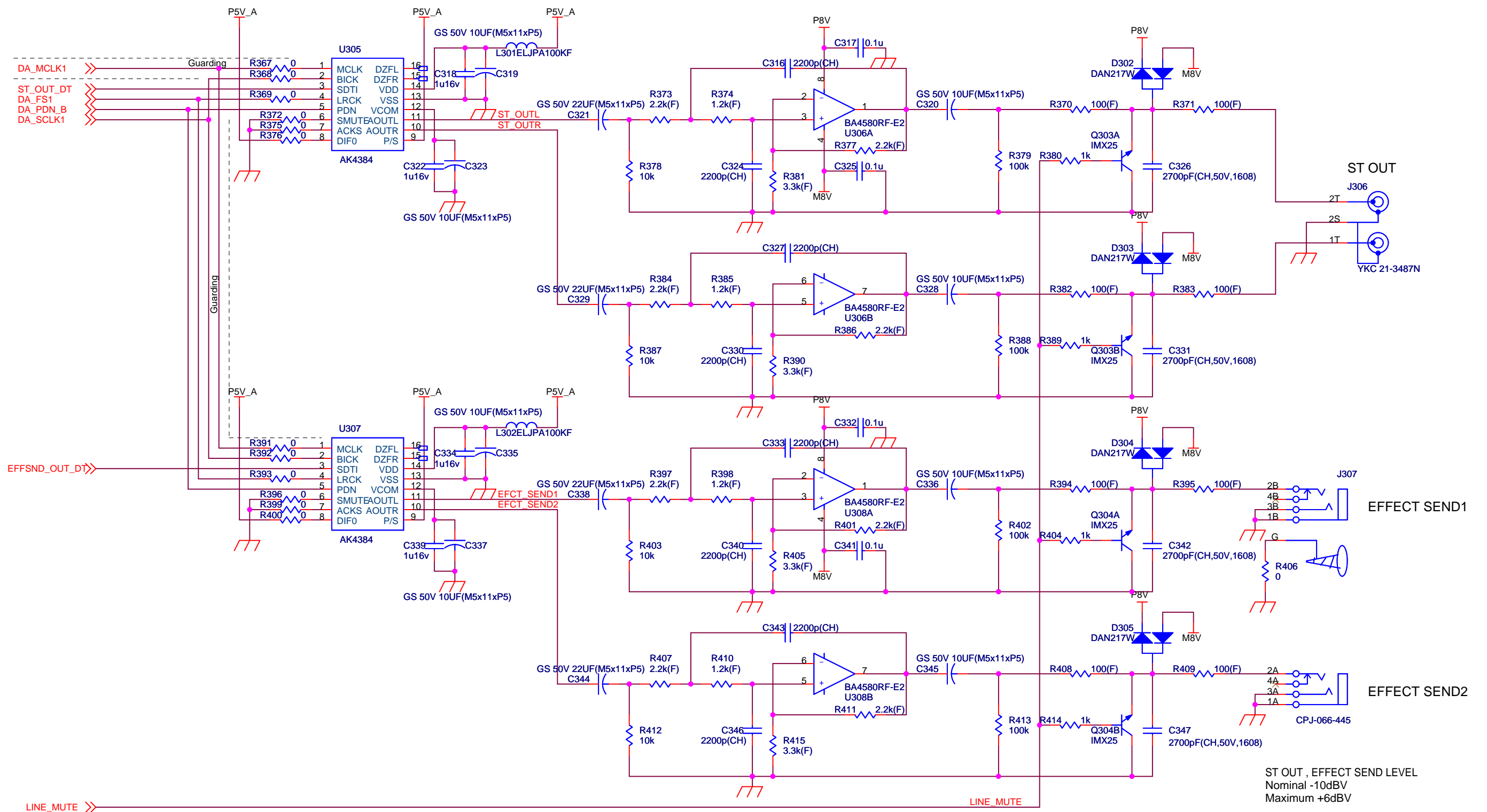


					MATERIAL 材料		
					FINISH 仕上	E904395	00C
					TREATMENT 処理	PART NO. 品番 APPLICATION 適用	
					TOLERANCE 公差	PART TITLE 品名	
REV	E.C.N. NO.	DATE	PLANNED	APPROVED	PCB,PANEL R DP24 G		
APPROVED		. .	UNIT mm	DWG TITLE			
CHECKED		. .	ANGLE	図名 SCHEMATIC,PCB PANEL R DP24 G			
PLANNED	shida	12.03.21	SCALE	DWG NO. 図番			
DRAWN	shida	12.03.21	:	DWG CODE			
							<b>B</b>



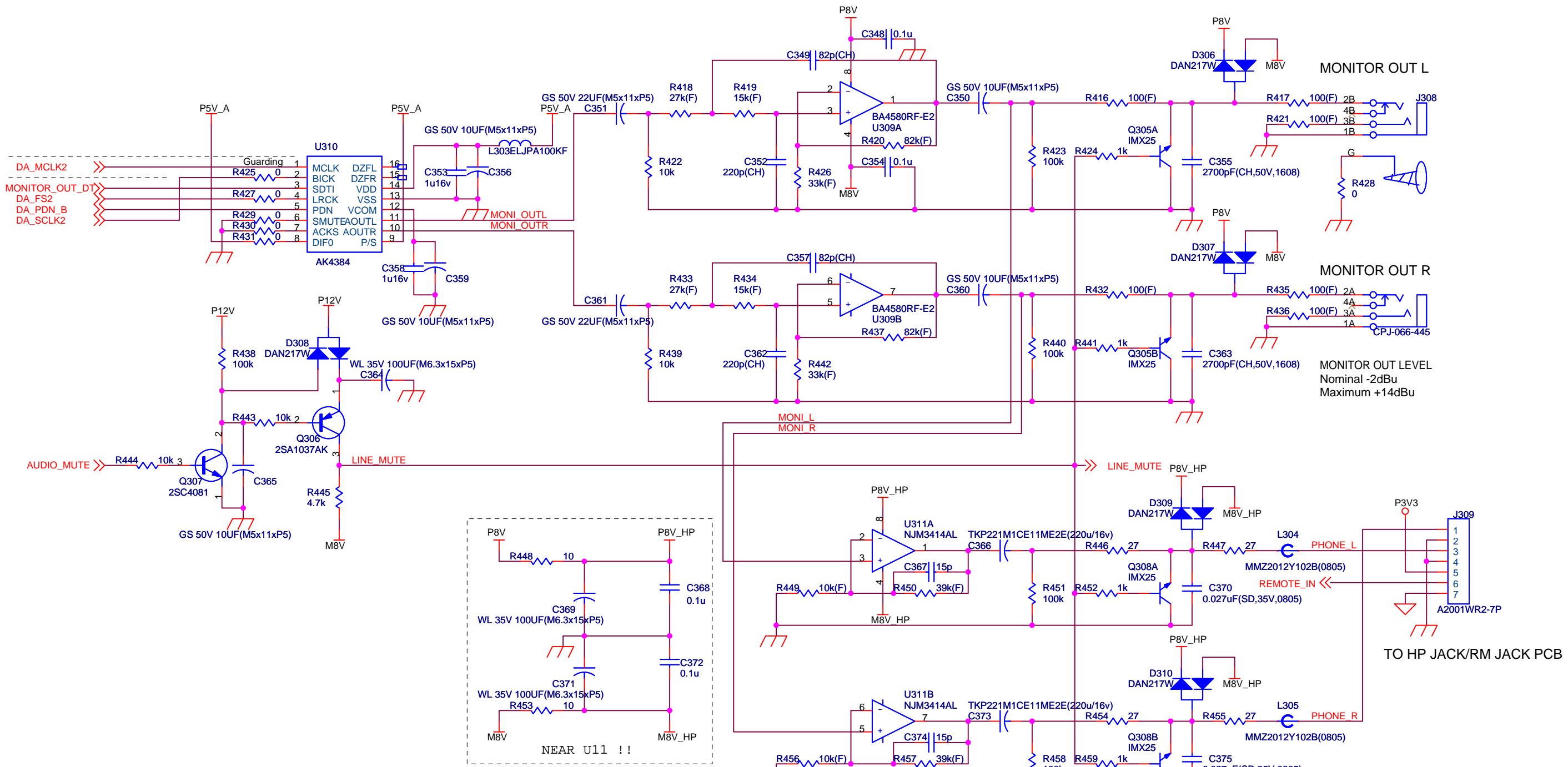


					MATERIAL 材料			
					FINISH 仕上		E904387 00C	
					TREATMENT 処理		PART NO. 品番 APPLICATION 適用	
					TOLERANCE 公差		PART TITLE 品名	
					TS-E		PCB,POWER DP24 G	
REV	E.C.N. NO.	DATE	PLANNED	APPROVED	DWG TITLE			
APPROVED			UNIT mm		図名 SCHEMATIC,PCB POWER DP24 G			
CHECKED			ANGLE		DWG NO.			
PLANNED	shida	12.03.21	SCALE		図番			
DRAWN	shida	12.03.21			DWG CODE			
					B			

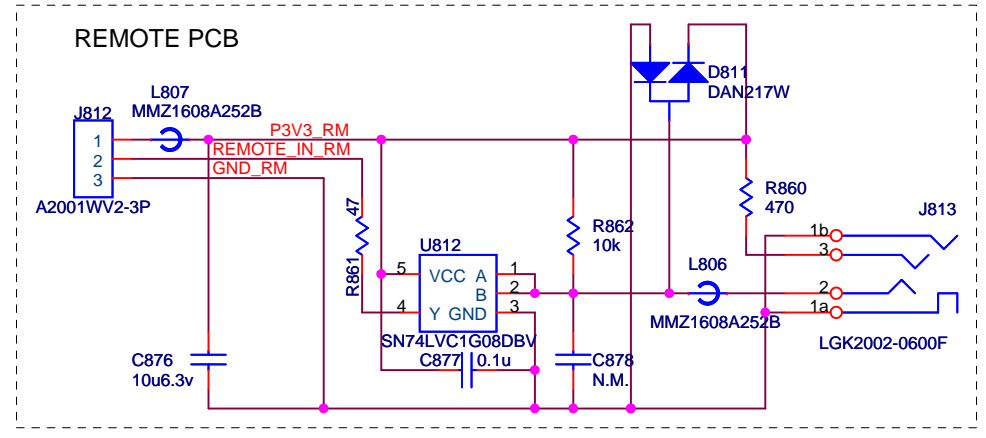
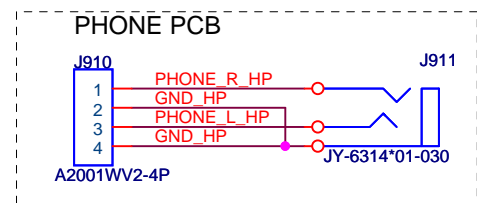


ST OUT , EFFECT SEND LEVEL  
 Nominal -10dBV  
 Maximum +6dBV

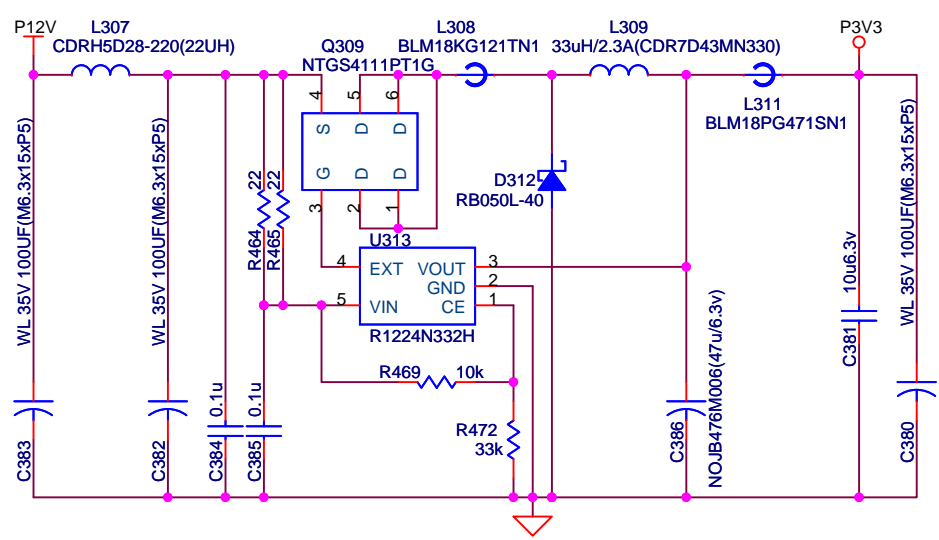
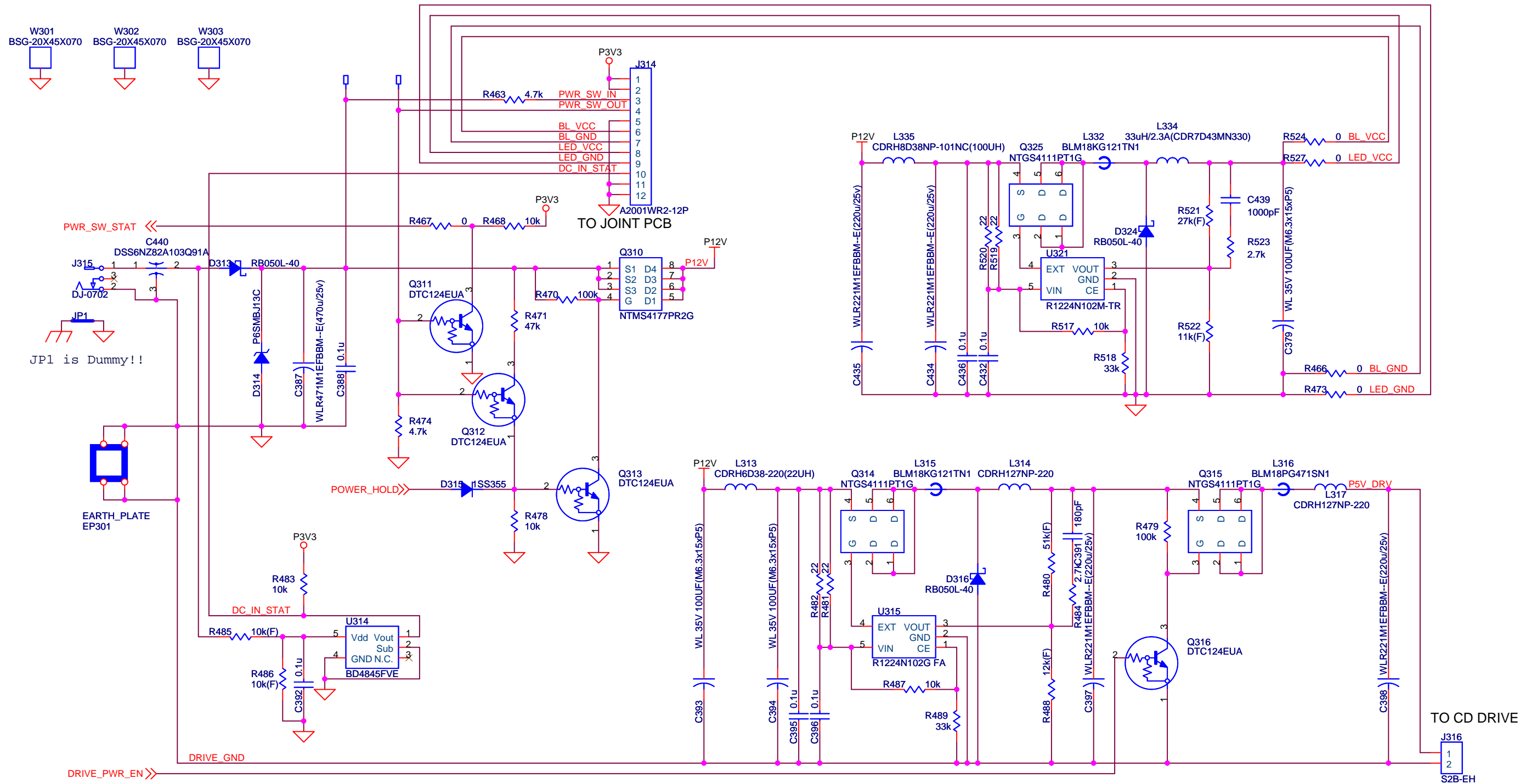
					MATERIAL 材料			
					FINISH 仕上		E904387 00C	
					TREATMENT 処理		PART NO. 品番 APPLICATION 適用	
					TOLERANCE 公差		PART TITLE 品名	
REV	E.C.N. NO.	DATE	PLANNED	APPROVED	PCB,POWER DP24 G			
APPROVED			UNIT mm		DWG TITLE			
CHECKED			ANGLE		図名 SCHEMATIC,PCB POWER DP24 G			
PLANNED	shida	12.03.21	SCALE		DWG NO.			
DRAWN	shida	12.03.21			図番			
					TS-E		DWG CODE	
							B	



MONITOR OUT LEVEL  
Nominal -2dBu  
Maximum +14dBu

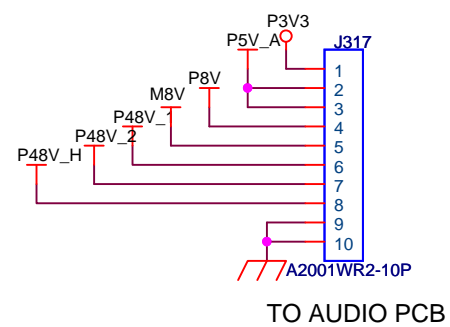
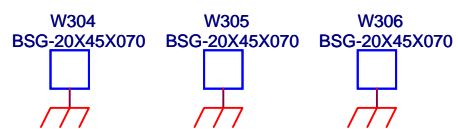
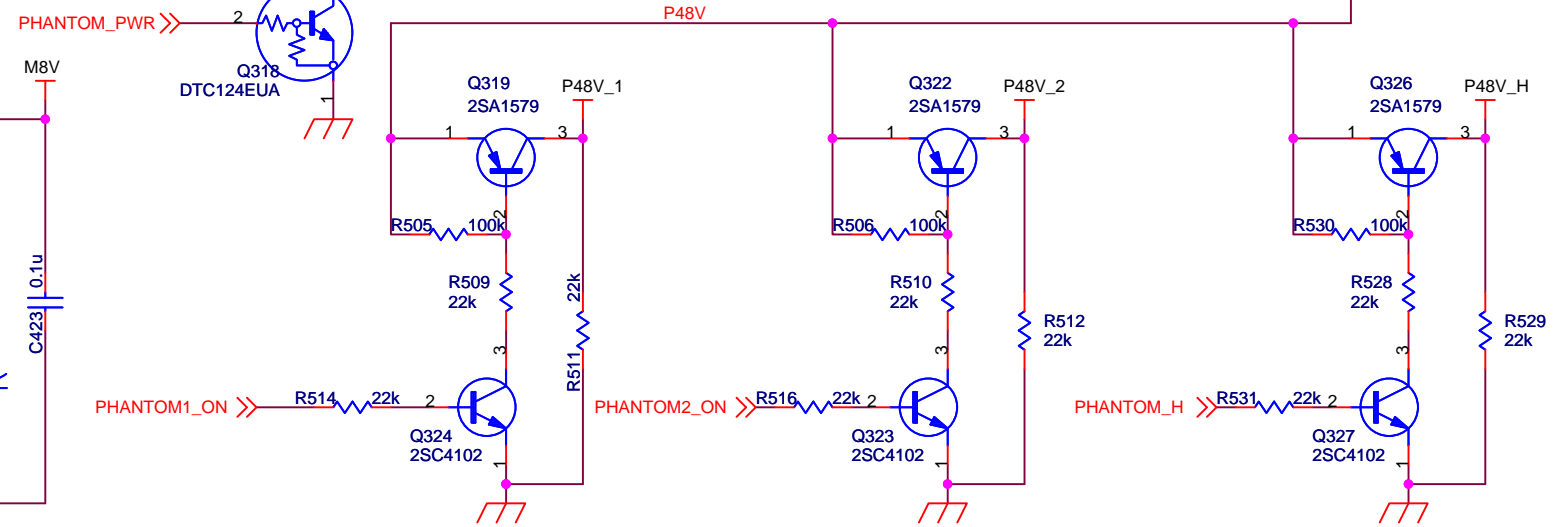
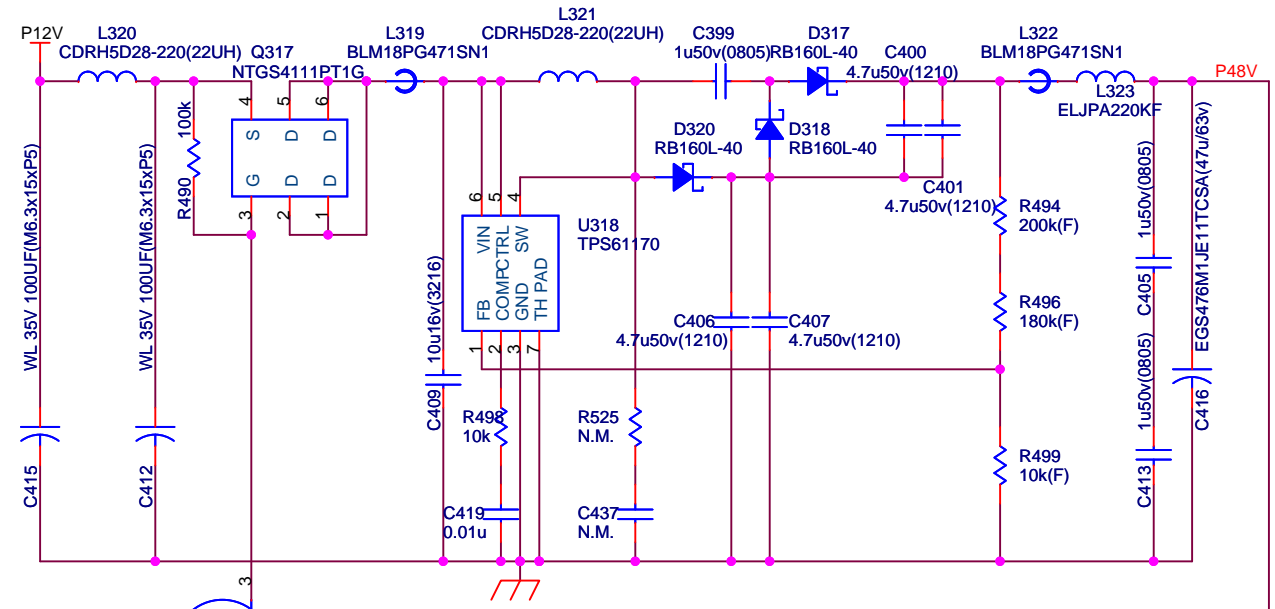
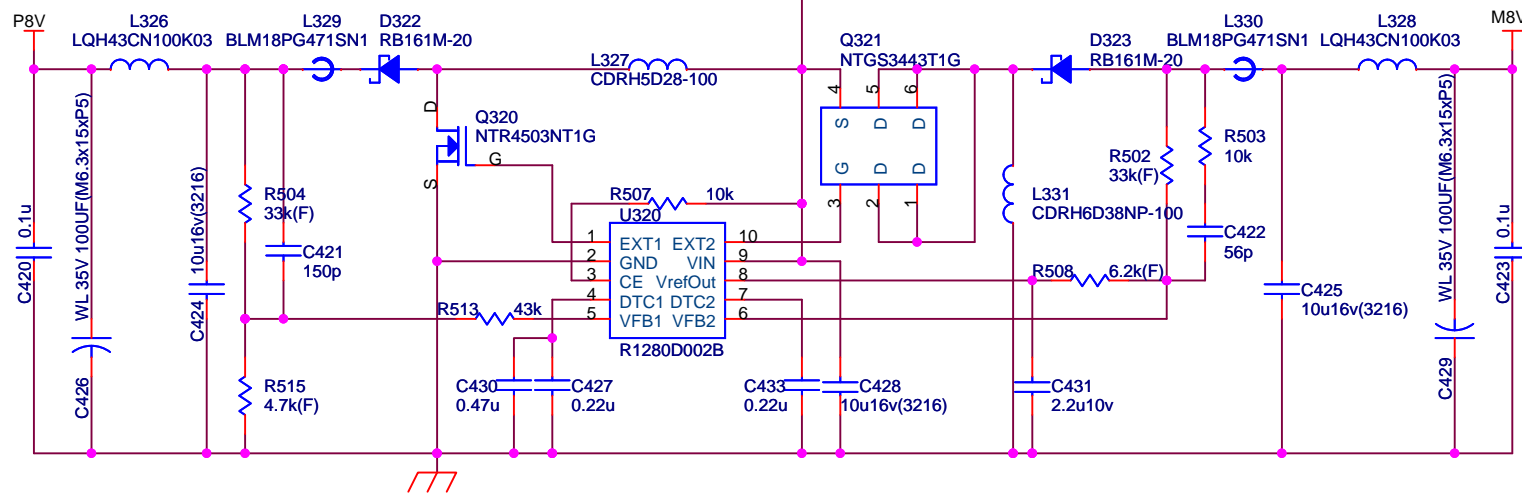
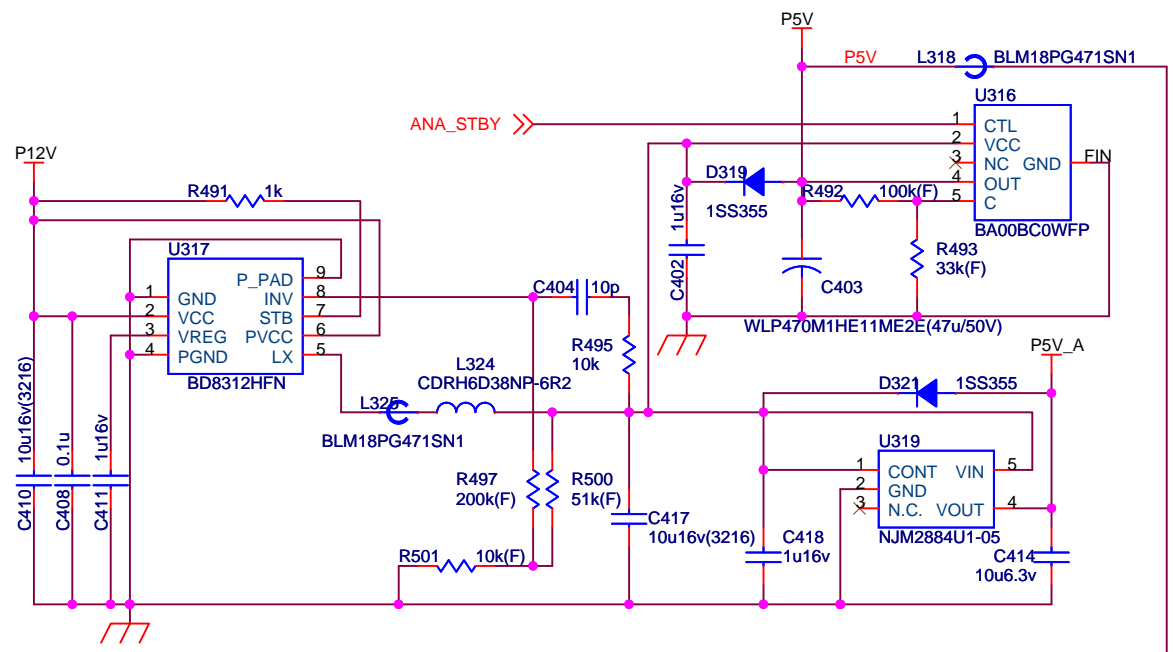


					MATERIAL 材料			
					FINISH 仕上		E904387 00C	
					TREATMENT 処理		PART NO. 品番 APPLICATION 適用	
					TOLERANCE 公差		PART TITLE 品名	
					TS-E		PCB,POWER DP24 G	
					DWG TITLE 図名		SCHEMATIC,PCB POWER DP24 G	
					DWG NO. 図番		DWG CODE	
							B	
REV	E.C.N. NO.	DATE	PLANNED	APPROVED				
APPROVED			UNIT mm					
CHECKED			ANGLE					
PLANNED	shida	12.03.21	SCALE					
DRAWN	shida	12.03.21						



					MATERIAL 材料			
					FINISH 仕上		E904387 00C	
					TREATMENT 処理		PART NO. 品番 APPLICATION 適用	
					TOLERANCE 公差		PART TITLE 品名	
					TS-E		PCB,POWER DP24 G	
					DWG TITLE 図名		SCHEMATIC,PCB POWER DP24 G	
					DWG NO. 図番		DWG CODE	
							B	

D002590-01A



					MATERIAL 材料			
					FINISH 仕上		E904387 00C	
					TREATMENT 処理		PART NO. 品番 APPLICATION 適用	
					TOLERANCE 公差		PART TITLE 品名	
REV	E.C.N. NO.	DATE	PLANNED	APPROVED	TS-E		PCB,POWER DP24 G	
APPROVED		.	UNIT mm		DWG TITLE		図名 SCHEMATIC,PCB POWER DP24 G	
CHECKED		.	ANGLE		DWG NO.		図番	
PLANNED	shida	12.03.21	SCALE		DWG CODE		B	
DRAWN	shida	12.03.21						