

DIAGRAM I
S92 BOARD
INTERFACE

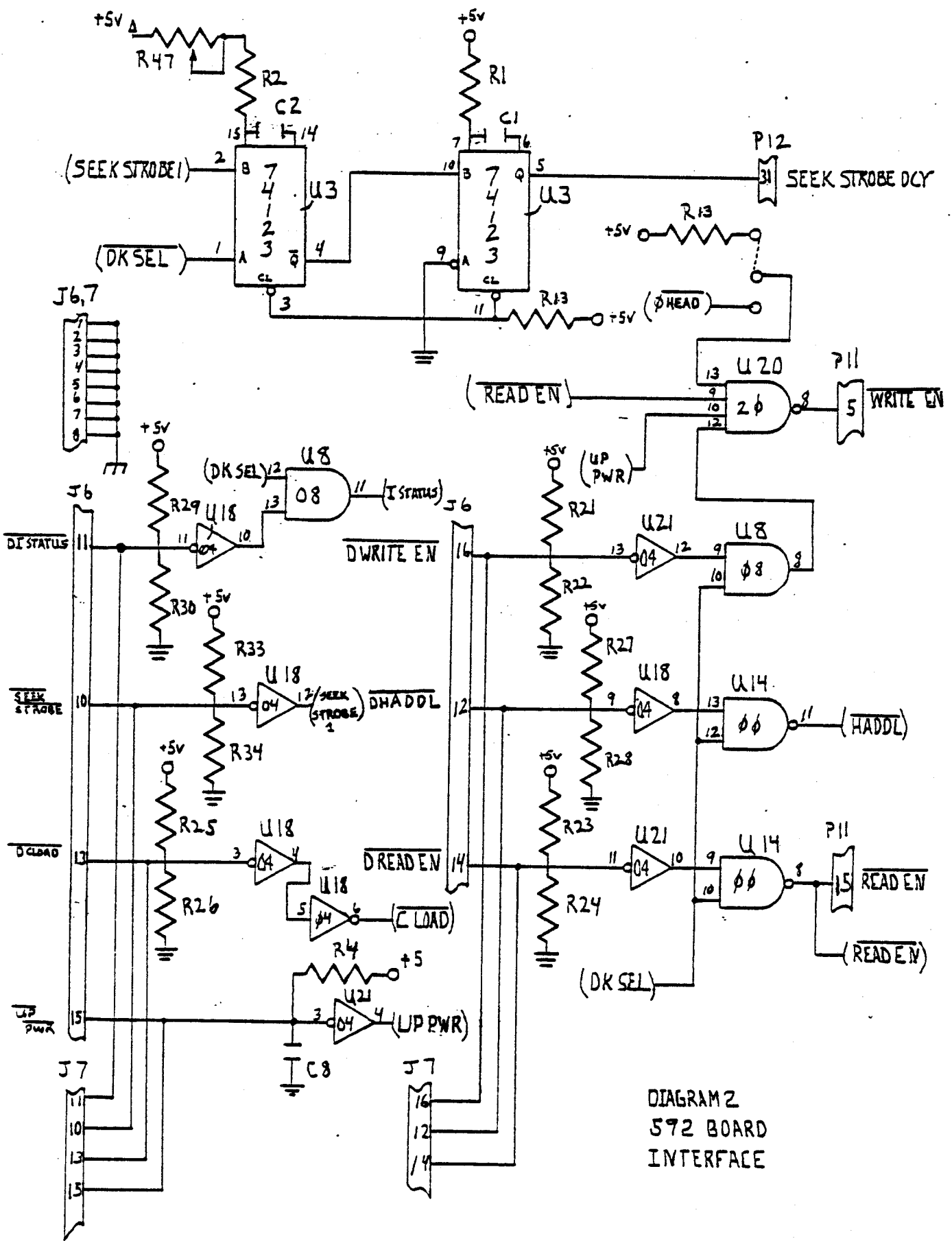


DIAGRAM 2
572 BOARD
INTERFACE

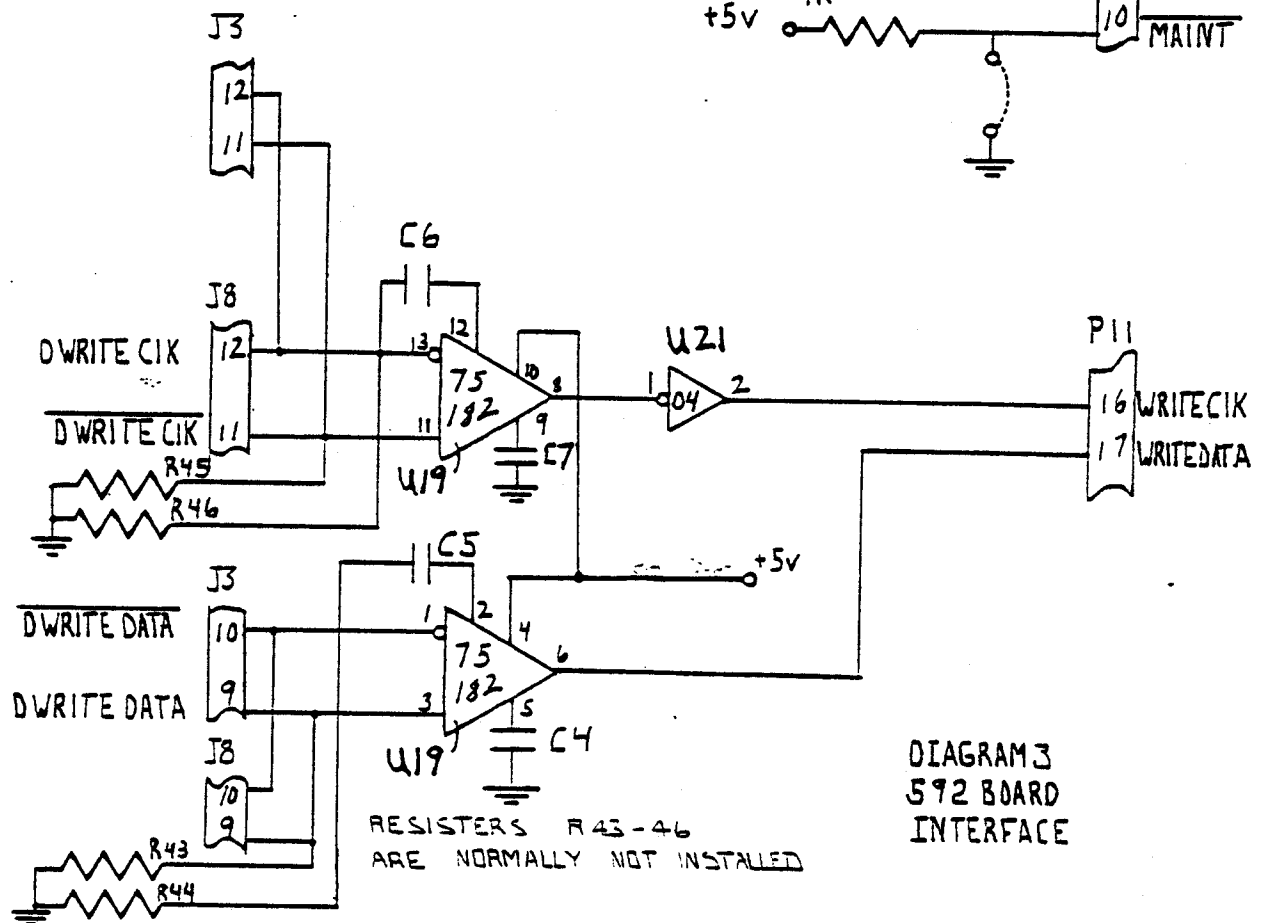
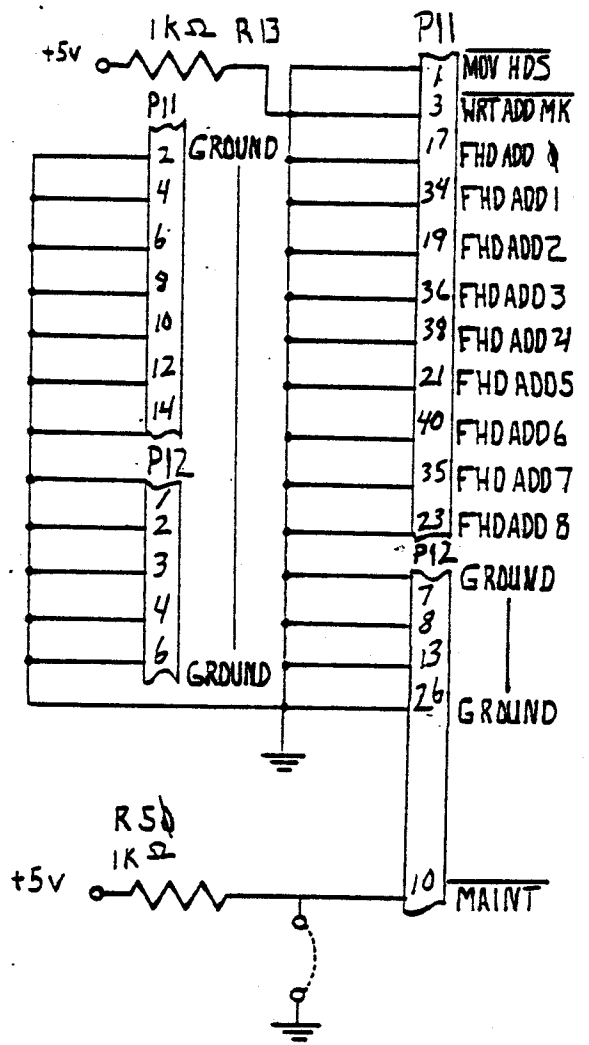
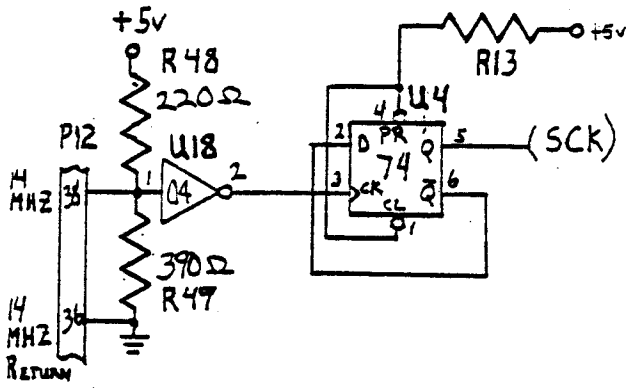
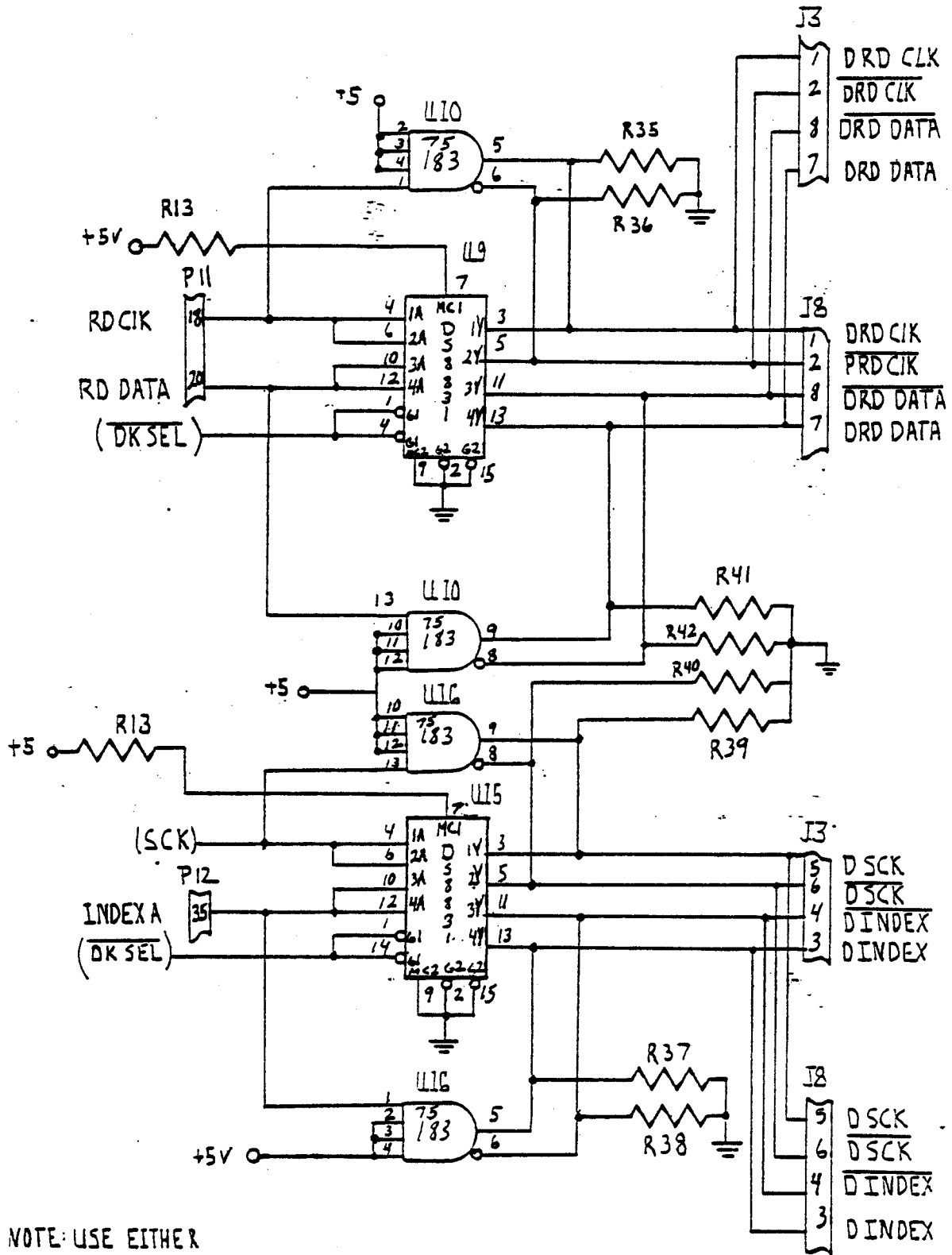


DIAGRAM 3
592 BOARD
INTERFACE



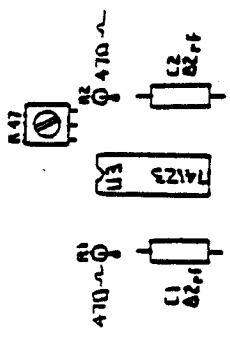
NOTE: USE EITHER
75183s OR DS8831
DRIVERS NOT BOTH.

DIAGRAM 4
592 BOARD
INTERFACE

P11
P12

P11
P12

220 ~ 390 ~
1K ~



7476 9M

7475 9M

7474 9M

7473 9M

ALL UNMARKED CAPACITORS ARE .1uF

7476 9M

7475 9M

7518 9M

7519 9M

7488 9M

4P

CP

7474 9M

7475 9M

7518 9M

7519 9M

7488 9M

220 ~
9M

220 ~ 390 ~
1K ~

7474 9M

7475 9M

7518 9M

7519 9M

DS1 MODEL 592

220 ~ 390 ~
1K ~

JP

CP

2P

