

MODEL 540-542 SCHEMATICS

REV. A	10 APR 78

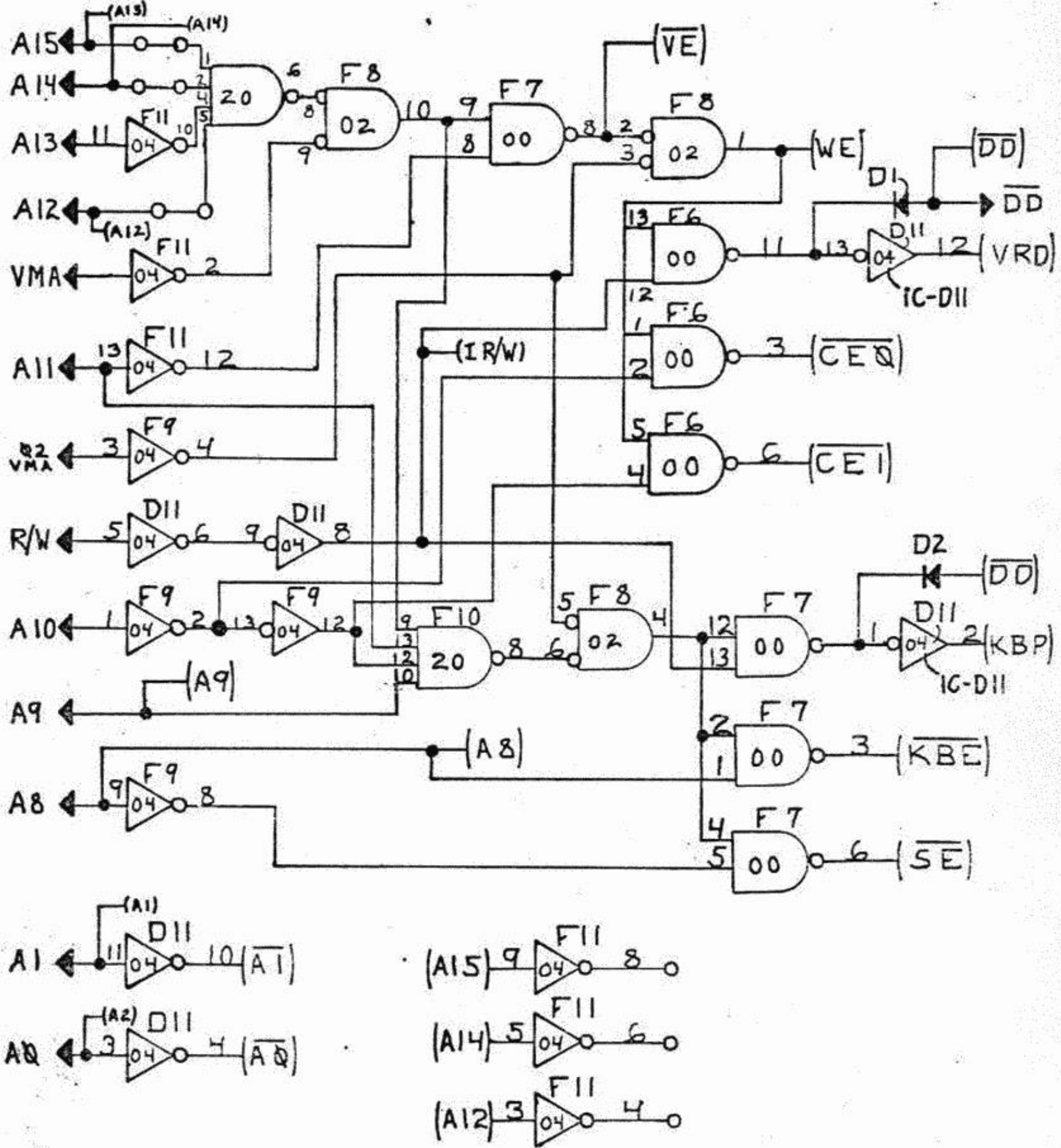


DIAGRAM 1
ADDRESS DECODER

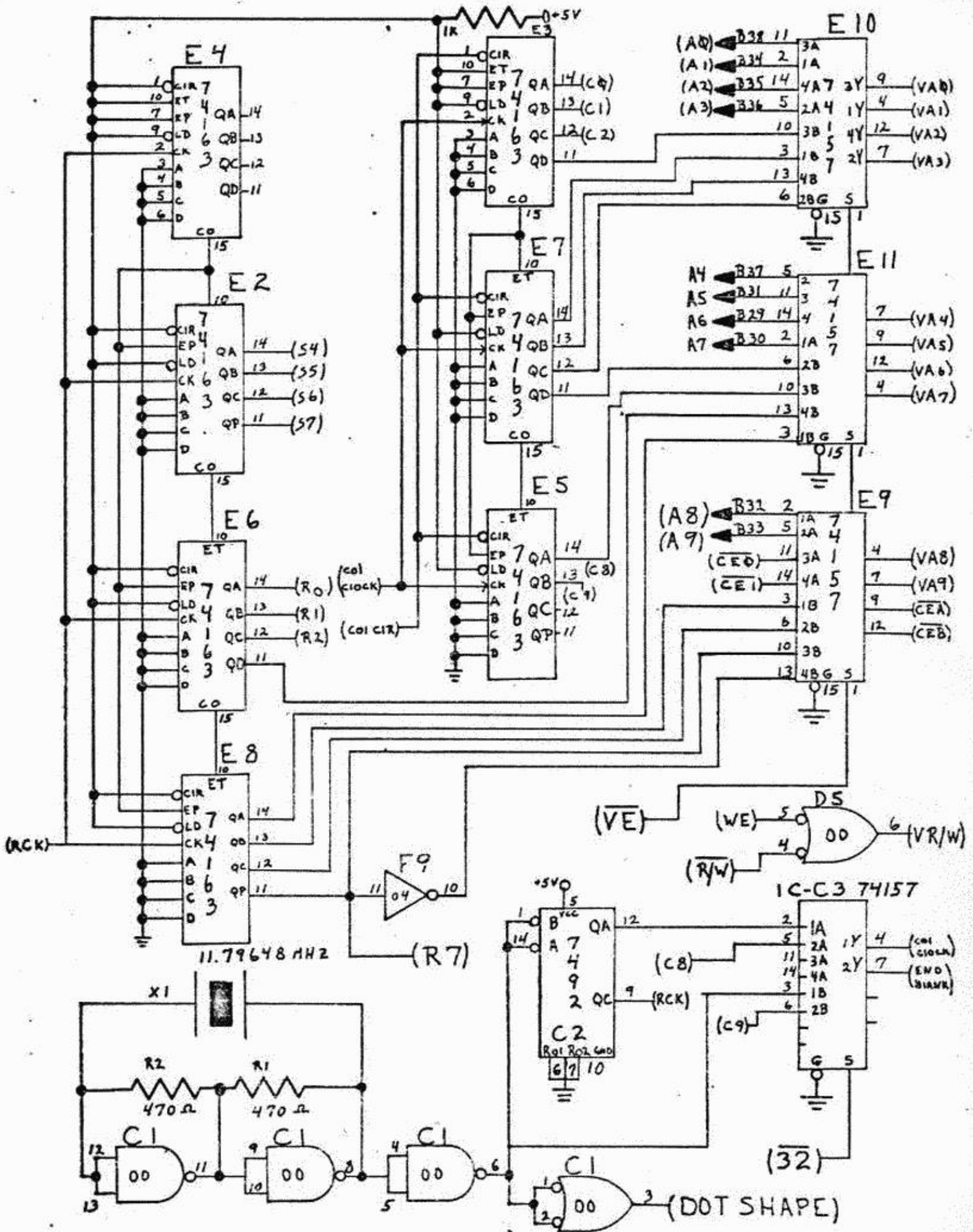
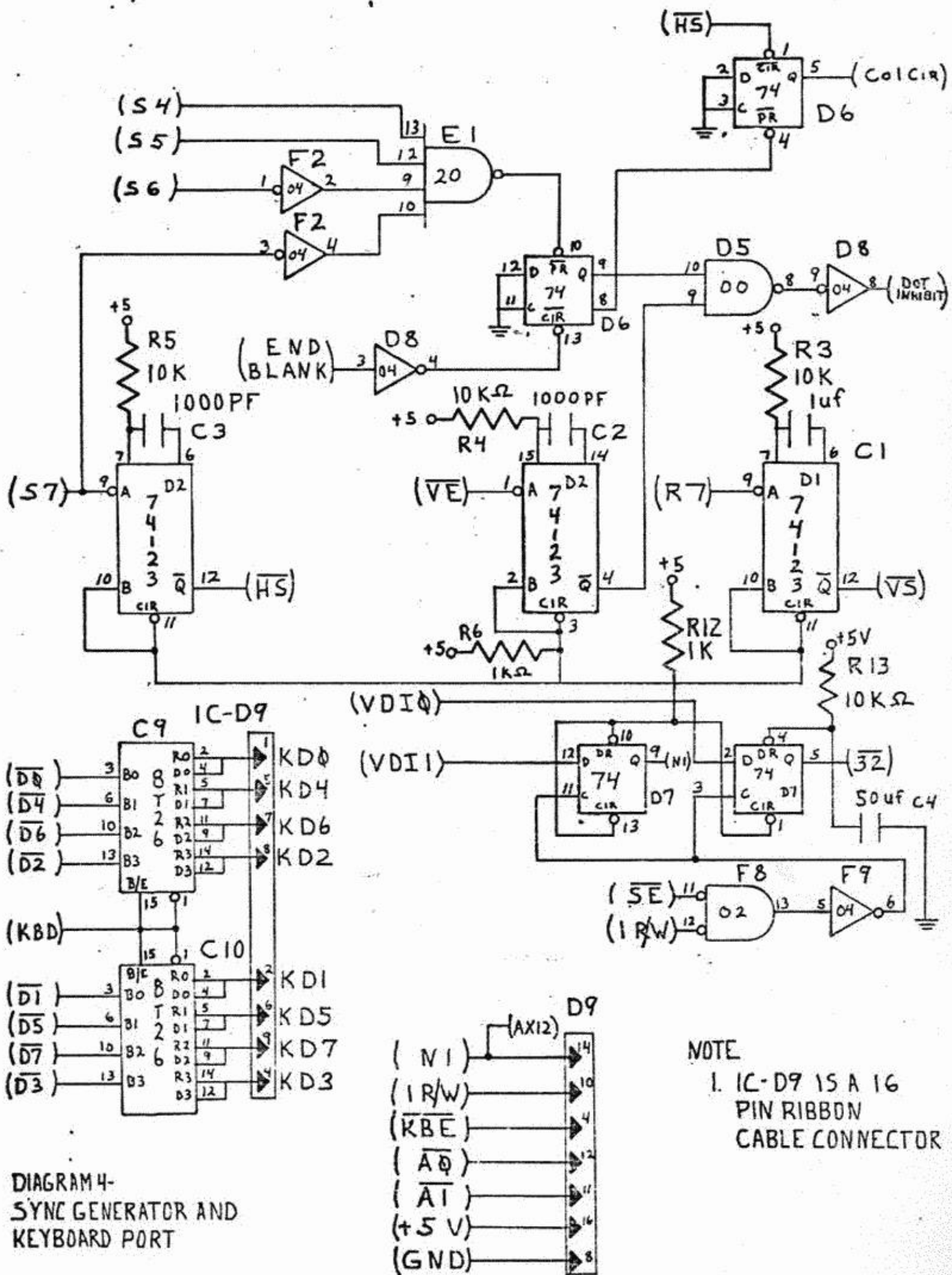
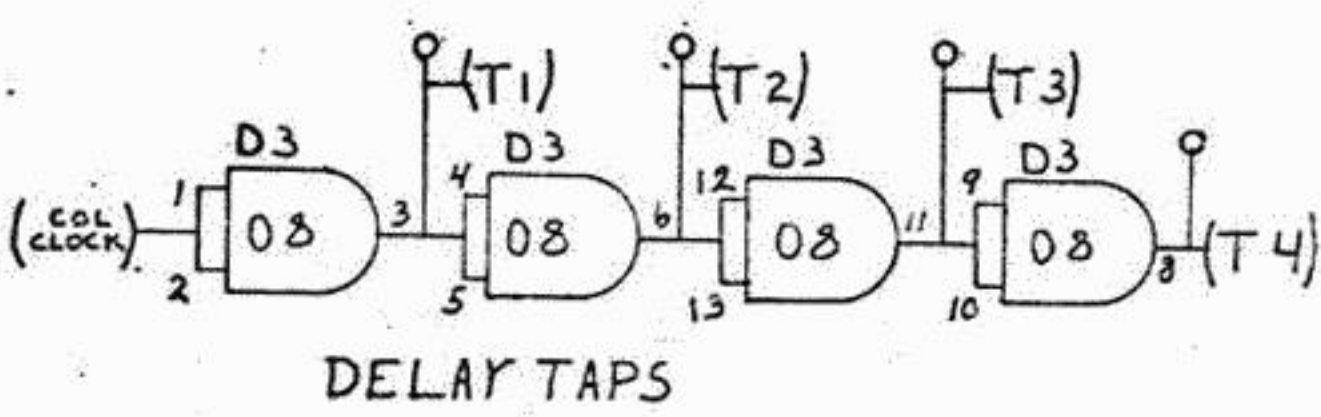
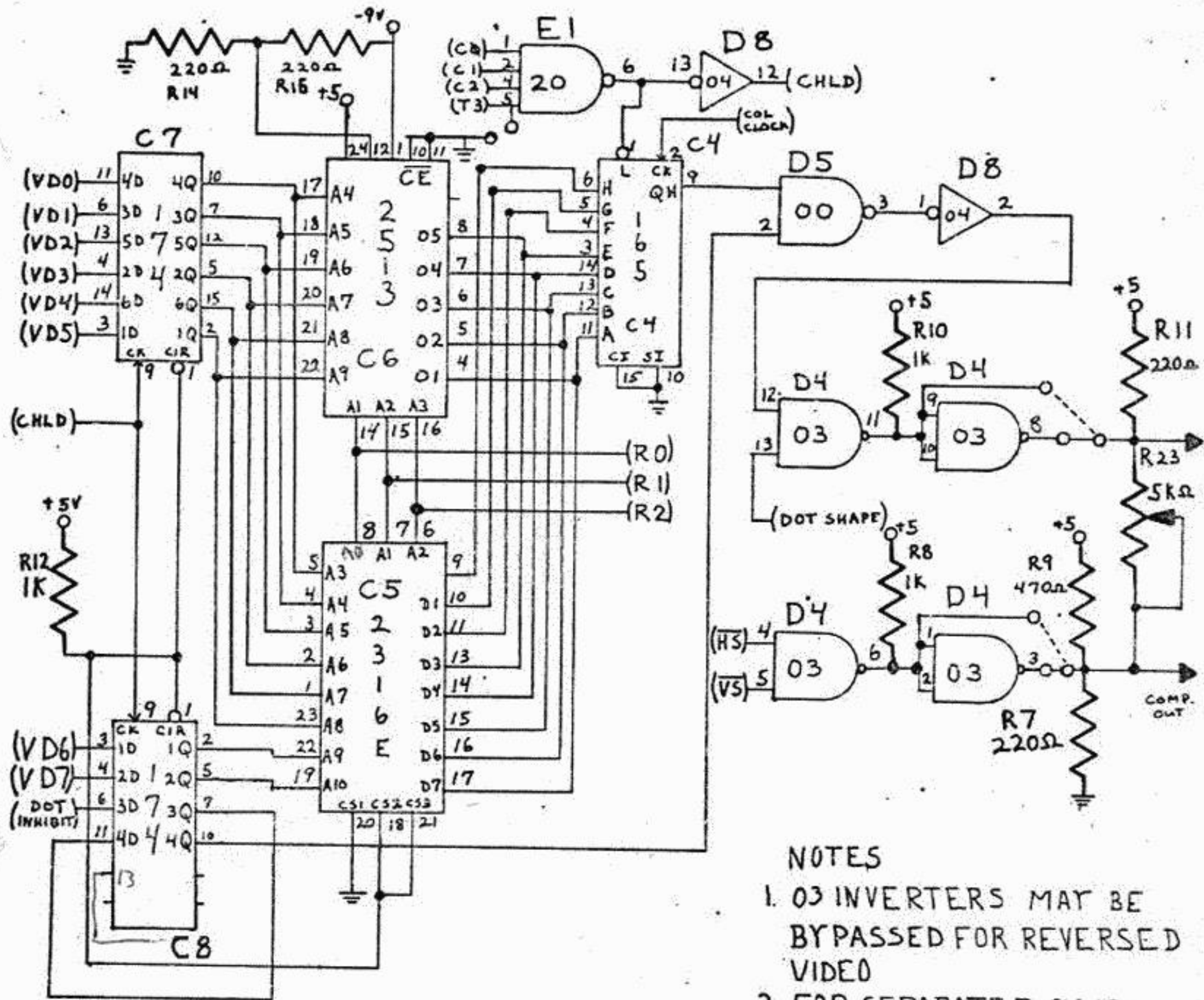


DIAGRAM 2-
COUNTERS AND
ADDRESS MULTIPLEXERS



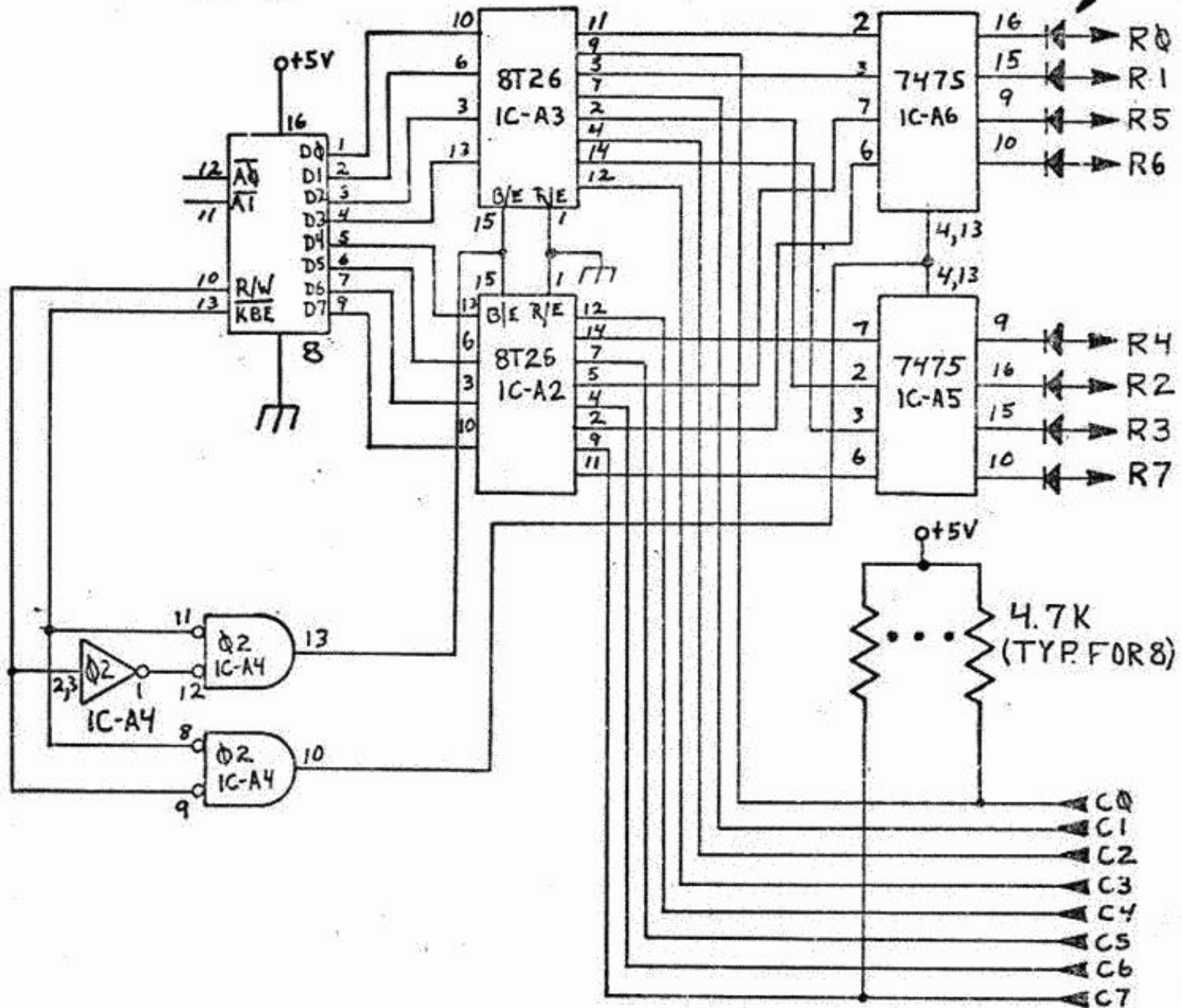


- NOTES
1. 03 INVERTERS MAY BE BYPASSED FOR REVERSED VIDEO
 2. FOR SEPARATED SYNC OMIT 5K POT
 3. EITHER 2513 OR 2316E CAN BE INSTALLED BUT NOT BOTH AT THE SAME TIME. IF 2513 IS USED PINS 9, 10 AND 11 OF 2316E LOCATION MUST BE GROUNDED.

DIAGRAM 5-
CHARACTER GENERATORS
AND VIDEO DRIVERS

CONNECTOR
IC-A1

DIODES 1N914
(TYP. FOR 8)

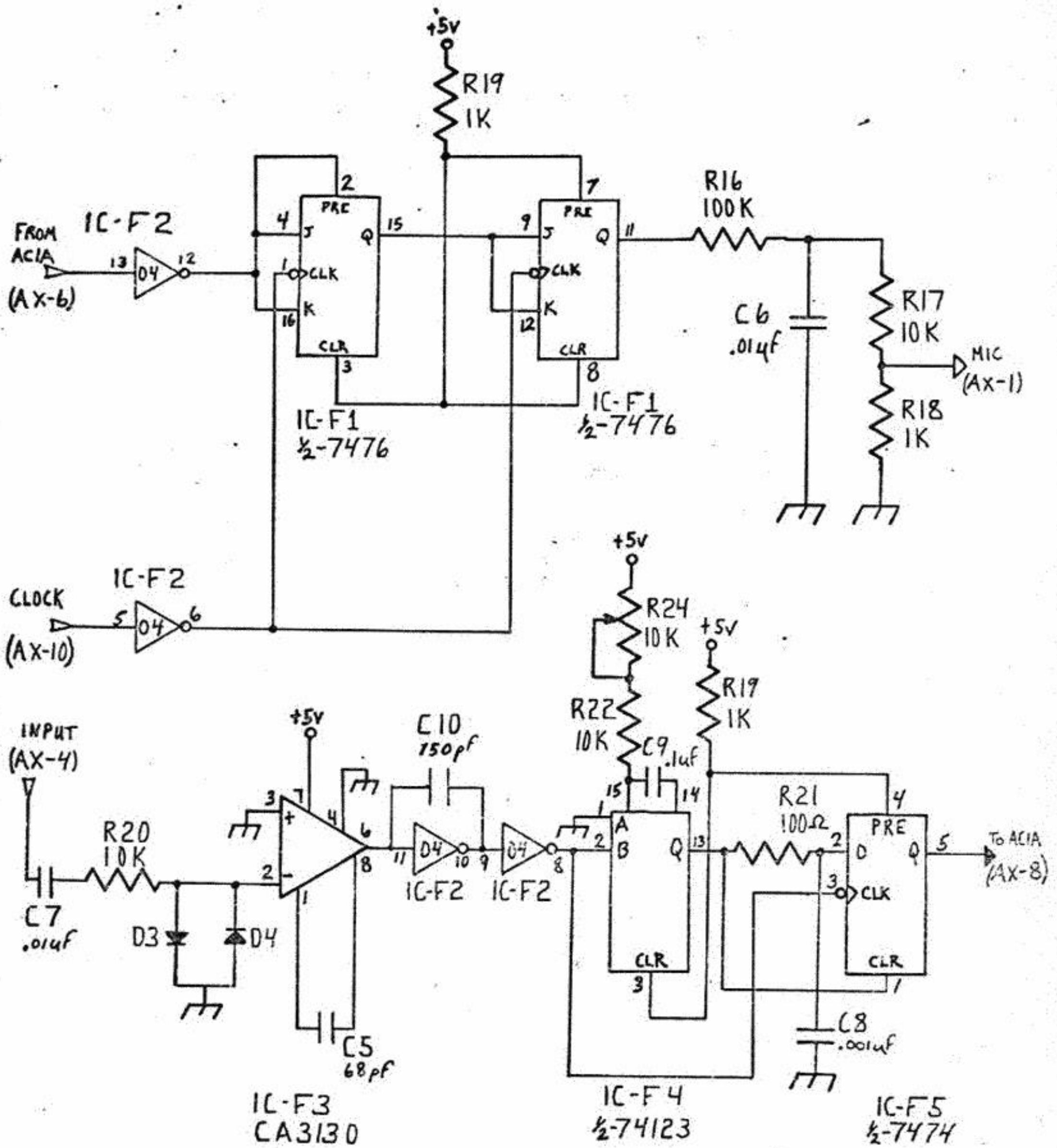


ROW ADDRESS

COLUMN ADDRESS

"BRK" SWITCH → TO SYSTEM
 SWITCH → RESET CIRCUITRY

MODEL 542 - POLLED KEYBOARD



MODEL
540 BOARD
AUDIO CASSETTE INTERFACE

