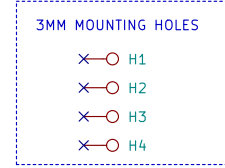
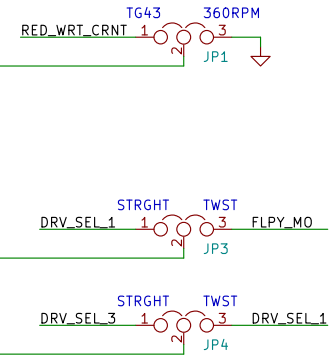
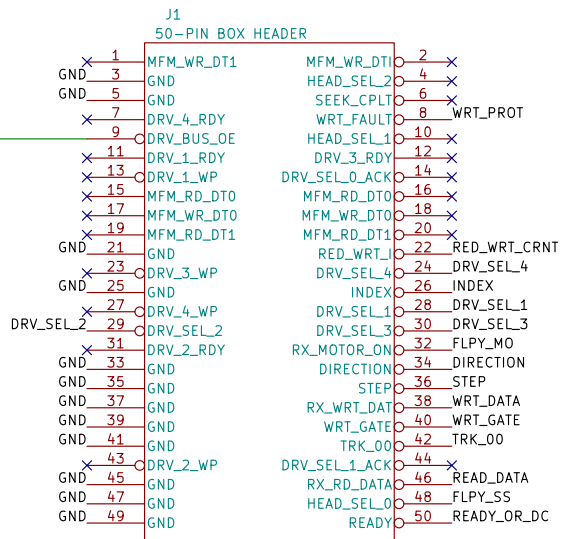
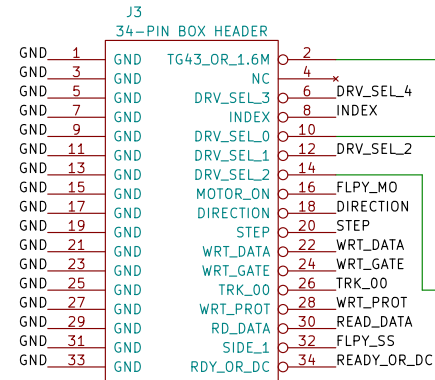
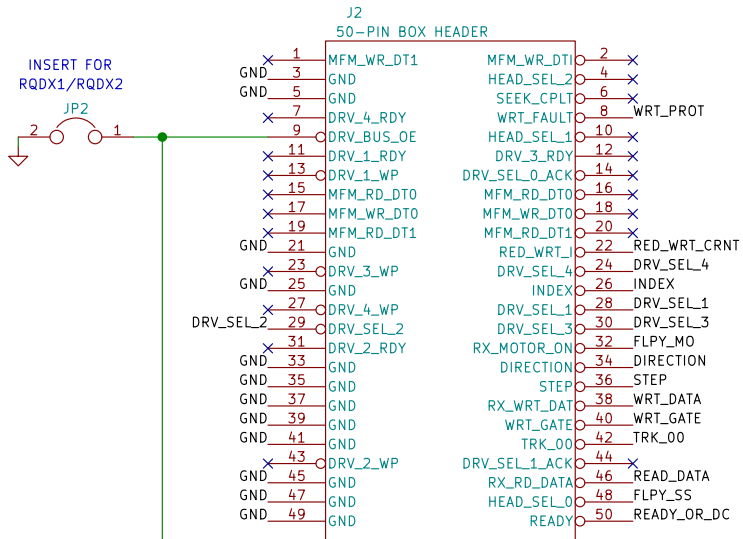


RQDX

FLOPPY



MALCOLM MACLEOD
 Sheet: /
 File: rqdx-bob-floppy.sch
Title: RQDX MINI BREAKOUT BOARD (FLOPPY)
 Size: A4 | Date: 19 July 2017 | Rev: A
 KiCad E.D.A. kicad 4.0.6 | Id: 1/1