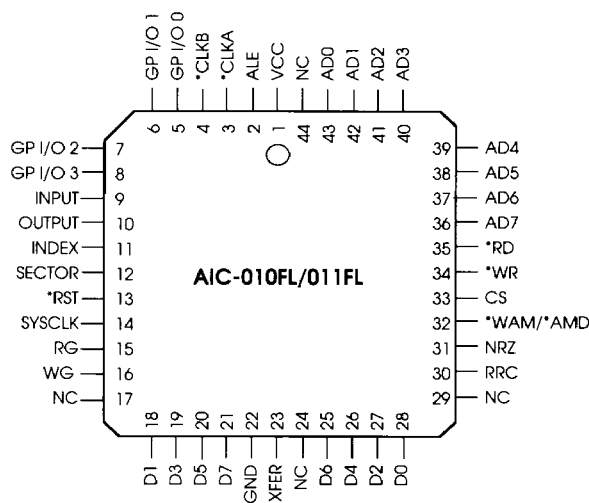


# AIC-010/011F

## Programmable Storage Controller



**AIC-010/011F Quad PLCC Package**

### FEATURES

- Controls ST412/506, ESDI, ST412HP, SA1000 and SMD interface hard disk drives
- Controls custom drive interfaces
- User-modifiable RAM-based control store
- User-programmable internal 32-bit ECC polynomial or variable length external polynomial
- 15 Mbits/sec data transfer rate (10 Mbits/sec for AIC-010)
- Soft- or hard-sector drives
- Multiple sector transfer
- Sector-level defect handling
- Noninterleaved operation
- User-programmable sector length up to a full track
- Single +5V power supply
- Also available in 40-pin DIP package