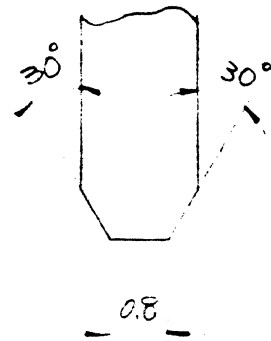
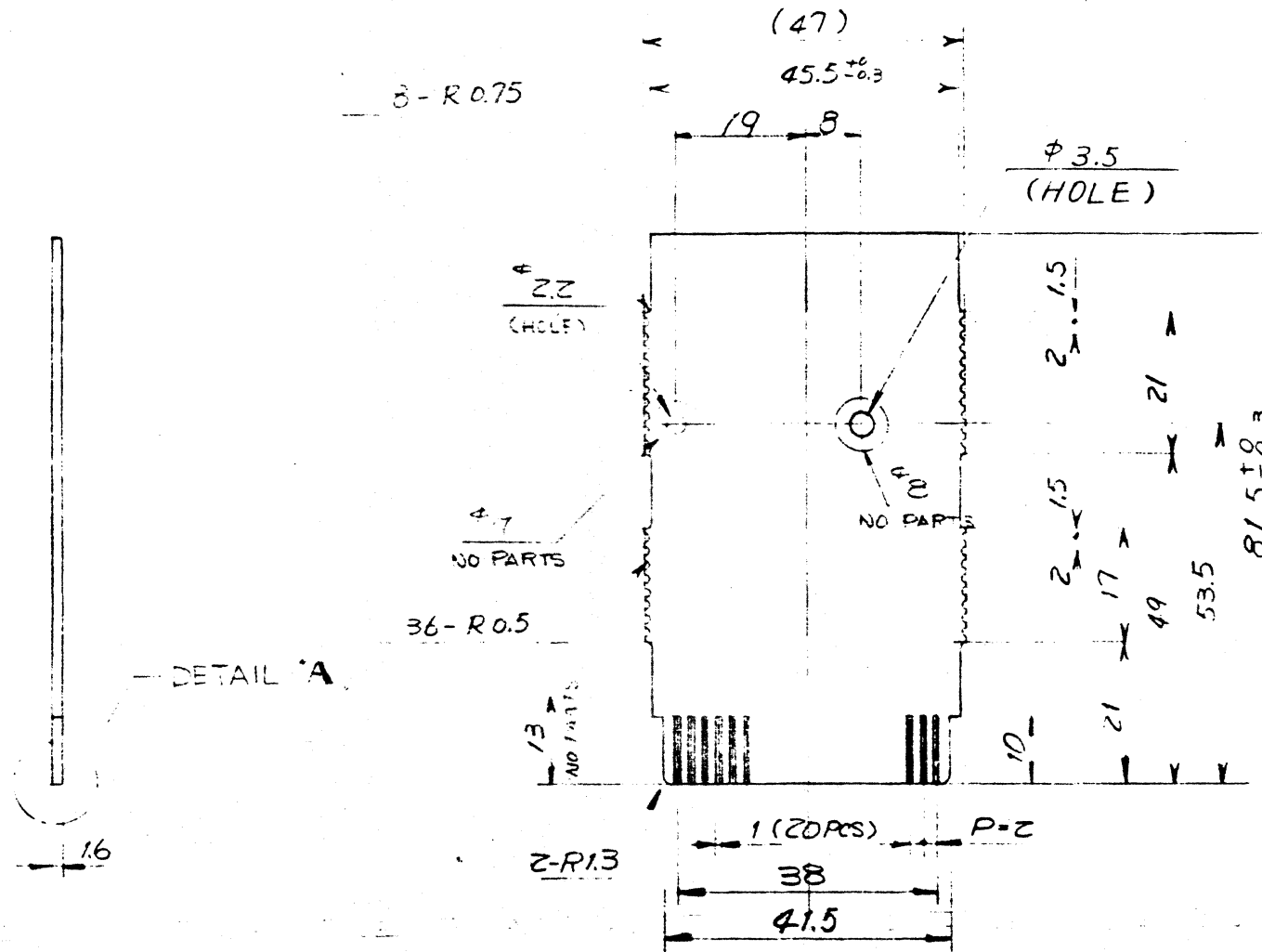


1	PRELIMINARY RELEASE	5-2-85	10.15
2	REVISED	7-23-85	
3	REVISED	8-6-85	




DETAIL A
SCALE 10/1



COMPONENT SIDE

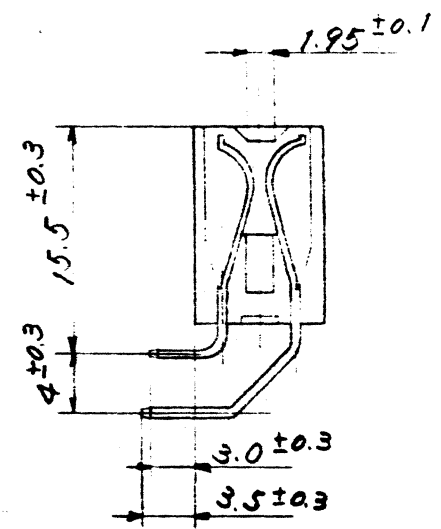
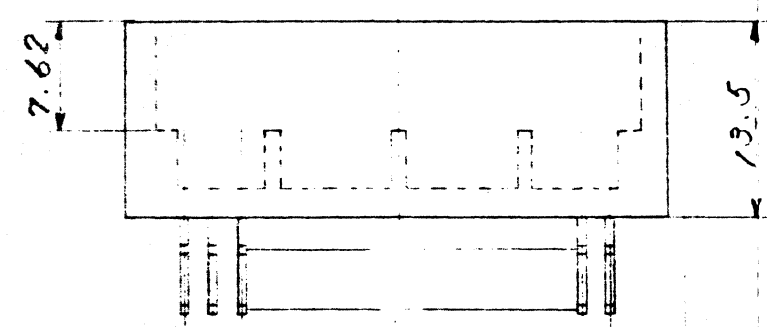
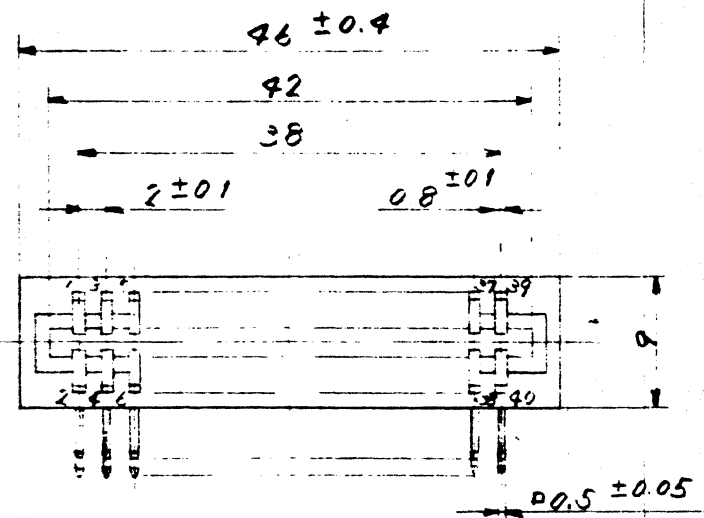
- 2 SUGGESTED LAMINATE COPPER CLAD THICKNESS 35 MICRON
 - 1 MATERIAL: GFN 059C 1/4 A1A OR EQUIV. #16
- NOTES - UNLESS OTHERWISE SPECIFIED.

USED ON ROM CARTRIDGE	DRAWN BY <i>R. Fuchino</i>	DATE 3-12-85	 ATARI (JAPAN) CORPORATION Toranomon Kiyoshi Building 3F 4-3-10, Toranomon Minato-ku, Tokyo 105
NEXT ASSY CA070047	CHECKED <i>K. Kitagawa</i>	DATE 7-2-85	
MATERIAL 1 2	ENGINEER <i>J. L. 4/8</i>	DATE 3-2-85	TITLE PCB FABRICATION
FINISH	APPROVED <i>[Signature]</i>	DATE 7/3/85	SIZE B
			DRAWING NO. C070185
			REV 3
			SCALE 1/1
			SHEET 1 OF 1

— SOURCE OF SUPPLY —	PART NO.
C070129-001 MITSUMI CINCH	E88-20-30-034

A	PRODUCTION RELEASE	<i>[Signature]</i>
B	REVISED PER E.C.O. NO. 00132	8/8/85 <i>[Signature]</i>

CHARACTERISTICS	SPECIFICATION
CURRENT RATING	AC 500 V 5 A DC V A
CONTACT RESISTANCE	30 mΩ MAX. (AFTER 100 CYCLES INSERTION/EXTRACTION)
DIELECTRIC WITHSTANDING VOLTAGE	1000 VAC FOR 1 MINUTE
INSULATION RESISTANCE	5000 MΩ MIN. AT 500 VDC APPLIED FOR 1 MINUTE




3 MATERIAL : BODY : GRASS PBT
CONTACT : COPPER ALLOY
(FINISH : TIN PLATING)

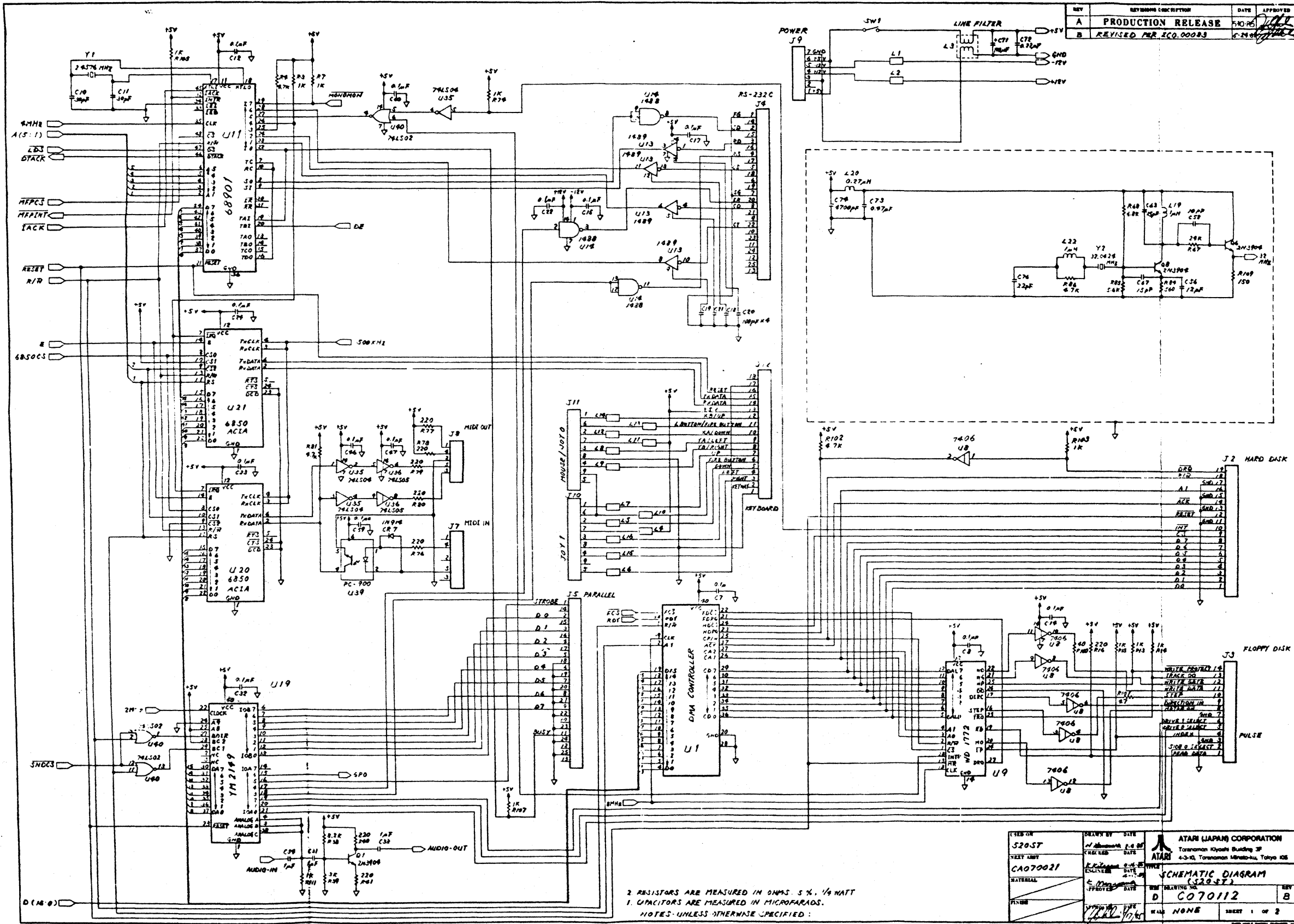
2. TOLERANCE : SEE DRAWING.

1 SUGGESTED VENDOR PART SHOWN.

ALTERNATE VENDOR PART MAY VARY BUT MUST BE INTERCHANGEABLE. ALL ALTERNATE VENDORS MUST HAVE PRIOR ENGINEERING APPROVAL.

NOTES - UNLESS OTHERWISE SPECIFIED :

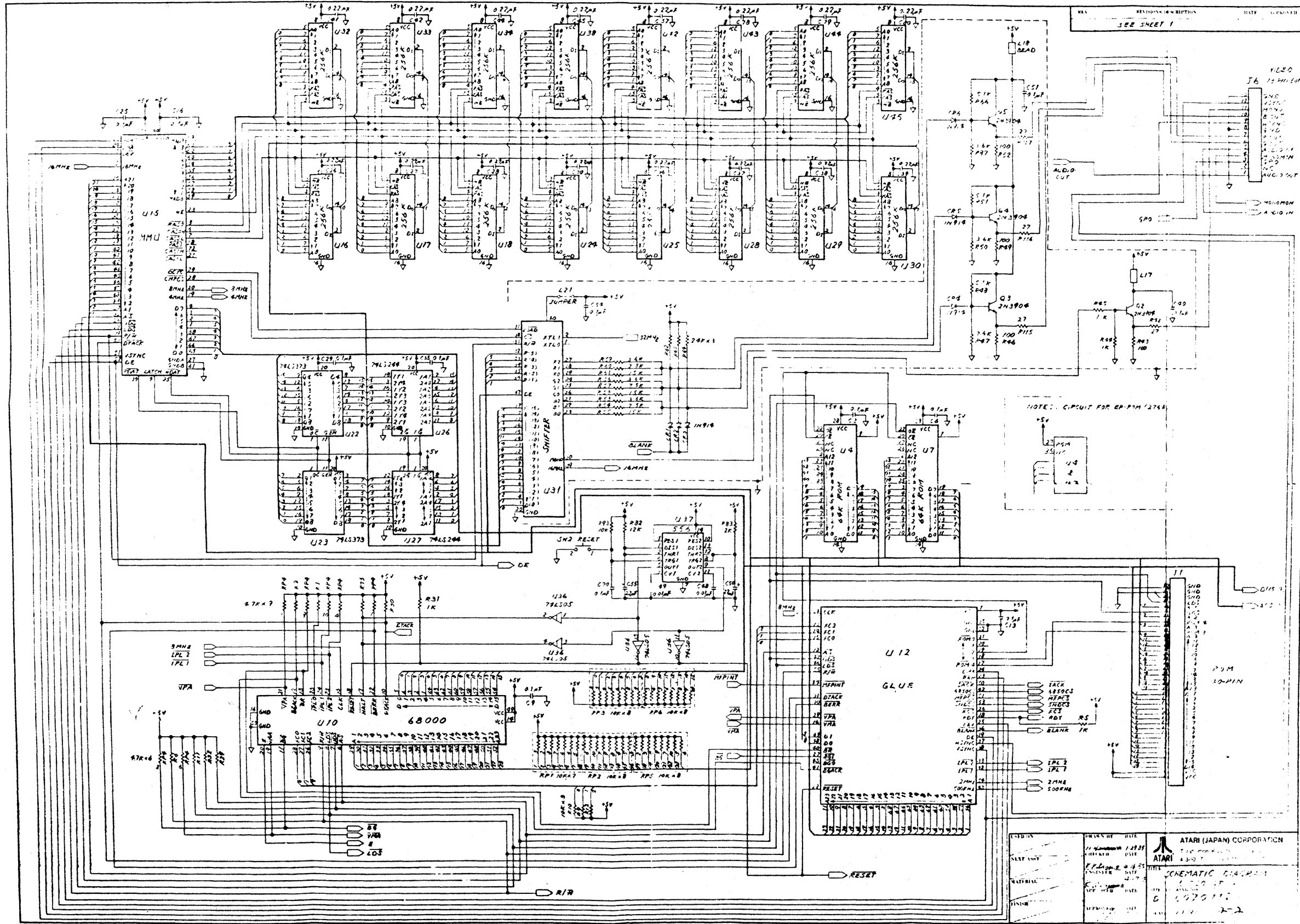
USED ON COMMON	DRAWN BY DATE N. Hanamura 3-11-85	 ATARI (JAPAN) CORPORATION Toranomom Kiyoshi Building 3F 4-3-10, Toranomom Minato-ku, Tokyo 105
NEXT ASSY	CHECKED DATE K. Kitagawa 4-16-85	
MATERIAL 3	ENGINEER DATE A. Shinogawa 4-17-85	CONNECTOR 40PIN, RIGHT ANGLE
FINISH	APPROVED DATE <i>[Signature]</i> 9/17/85	SIZE DRAWING NO. B C070129
		SCALE NONE SHEET 1 OF 1



REV	REVISION DESCRIPTION	DATE	APPROVED
A	PRODUCTION RELEASE	5-10-85	[Signature]
B	REVISED PER ECO.00083	5-21-85	[Signature]

2 RESISTORS ARE MEASURED IN OHMS. 5% 1/4 WATT
 1. CAPACITORS ARE MEASURED IN MICROFARADS.
 NOTES: UNLESS OTHERWISE SPECIFIED:

DESIGN NO. 520ST	DESIGNED BY DATE [Signature] 5-8-85	ATARI (JAPAN) CORPORATION Toranomon Kyushu Building 3F 4-3-13, Toranomon Minato-ku, Tokyo 105	
TEST UNIT CA070021	TESTED BY DATE [Signature] 5-10-85	SCHEMATIC DIAGRAM (520ST)	
MATERIAL	ENGINEER DATE [Signature] 5-10-85	REV D	REV B
FIGURE	APPROVED DATE [Signature] 5/10/85	NAME NONE	SHEET 1 OF 2



ATARI (JAPAN) CORPORATION
 ATARI
 SCHEMATIC DIAGRAM
 1-2-2