

PRELIMINARY REVISION PACKET. SUBJECT TO CHANGE WITHOUT NOTICE.

Publication Title: BK5XX Hardware Maintenance Vol. II

Publication Number: 83322240 Manual Preliminary Revision: U

Instructions: The attached pages contain replacement information. Insert the attached pages into the appropriate place. Do not discard current manual sheet (back-up page information is not supplied with this packet). All changes contained in this preliminary packet will be in the released revision.

REV	REWORK NUMBER	ECO/FCO NUMBER	DESCRIPTION	PAGES AFFECTED
01	RWK 3771	ECO 60448	Change DKFV to RKFV for BK5C1E, F,J,K only	1-20.1 thru 1-20.4
02		ECO 60450	Release BK5C5A/B	xiii
03		ECO 60467	Release BK5B5Y/Z	xii

CONFIGURATION CHART

EQUIP NO.	TLA	POWER		DATA CAPACITY (MB)	CHAN ACCESS	A CABLE CONFIG	PACK INTLK SOL	COLOR CODE ***#	CABINET MOUNTING STYLE
		VOLTS	HZ						
BK5A7A	47173020	120	60	80	Single	60-pin	No	D	acoustic drawer
BK5A7B	47173021	220/240	50	80	Single	60-pin	No	E	acoustic drawer
BK5A7G	47173078	220/240	50	80	Single	60-pin	No	AC	acoustic drawer
BK5A7H	47173078	220/240	50	80	Single	60-pin	No	AA	acoustic drawer
BK5A7J	47292513	120	60	80	Single	60-pin	Yes	BS	acoustic drawer
BK5A7K	47292514	220/240	50	80	Single	60-pin	Yes	BS	acoustic drawer
BK5A7L	47292525	120	60	80	Single	60-pin	No	AU	acoustic drawer
BK5A7M	47292526	220/240	50	80	Single	60-pin	Yes	AV	acoustic drawer
BK5A7N	47292529	120	60	80	Single	60-pin	No	BS	acoustic drawer
BK5A7P	47292530	220/240	50	80	Single	60-pin	No	BS	acoustic drawer
BK5A7R	47292557	120	60	80	Single	S&IOBC	Yes	BD	acoustic drawer
BK5A7S	47292558	220	50	80	Single	S&IOBC	Yes	BD	acoustic drawer
BK5A7U	47292562	220	50	80	Single	60-pin	Yes	E	acoustic drawer
BK5A7V	47292565	120	60	80	Single	S&IOABC	Yes	BK	acoustic drawer
BK5A7W	47292566	220	50	80	Single	S&IOABC	Yes	BL	acoustic drawer
BK5A7Y	47292574	120	60	80	Single	60-pin	Yes	BK	acoustic drawer
BK5A7Z	47292575	220	50	80	Single	60-pin	Yes	BL	acoustic drawer
BK5A8A	47173022	120	60	80	Dual	60-pin	No	D	acoustic drawer
BK5A8B	47173023	220/240	50	80	Dual	60-pin	No	E	acoustic drawer
BK5A9A	47173024	120	60	80	Single	60-pin	No	F	acoustic drawer
BK5A9B	47173025	220/240	50	80	Single	60-pin	No	G	acoustic drawer
BK5A9G	47173066	120	60	80	Single	60-pin	No	X	acoustic drawer
BK5A9H	47173067	220/240	50	80	Single	60-pin	No	Y	acoustic drawer
BK5A9J	47173069	220/240	50	80	Single	60-pin	No	-	acoustic cabinet
BK5A9K	47173077	220/240	50	80	Single	60-pin	No	AB	acoustic cabinet
BK5A9L	47173081	120	60	80	Single	60-pin	No	AD	acoustic cabinet
BK5A9M	47292516	220/240	50	80	Single	60-pin	Yes	BU	acoustic cabinet
BK5A9N	47292510	120	60	80	Single	60-pin	No	AL	acoustic cabinet
BK5A9P	47292515	120	60	80	Single	60-pin	Yes	BT	acoustic cabinet
BK5A9R	47292517	120	60	80	Single	60-pin	No	AN	acoustic cabinet
BK5A9S	47292518	220/240	50	80	Single	60-pin	No	AP	acoustic cabinet
BK5A9T	47292523	120	60	80	Single	60-pin	No	AX	acoustic cabinet
BK5A9U	47292524	220/240	50	80	Single	60-pin	Yes	AX	acoustic cabinet
BK5A9V	47292527	120	60	80	Single	60-pin	No	BT	acoustic cabinet
BK5A9W	47292528	220/240	50	80	Single	60-pin	No	BU	acoustic cabinet
BK5A9Z	47292564	220	50	80	Single	60-pin	Yes	G	acoustic cabinet
BK5B1A	47173026	120	60	80	Dual	60-pin	No	F	acoustic cabinet
BK5B1B	47173027	220/240	50	80	Dual	60-pin	No	G	acoustic cabinet
BK5B5J	47173082	120	60	80	Single	60-pin	Yes	AF	acoustic cabinet
BK5B5K	47173083	220/240	50	80	Single	60-pin	Yes	AG	acoustic cabinet
BK5B5L	47292549	120	60	80	Single	S&IOBC	Yes	BA	pedestal cabinet
BK5B5M	47292550	220	50	80	Single	S&IOBC	Yes	BA	pedestal cabinet
BK5B5N	47292553	120	60	80	Single	S&IOABC	Yes	BA	pedestal cabinet
BK5B5P	47292554	220	50	80	Single	S&IOABC	Yes	BA	pedestal cabinet
BK5B5S	47292563	220	50	80	Single	60-pin	Yes	C	pedestal cabinet
BK5B5T	47292572	100	60	80	Single	S&IOBC	Yes	AK	pedestal cabinet
BK5B5U	47292571	100	50	80	Single	S&IOBC	Yes	AK	pedestal cabinet
BK5B5W	47292581	220	50	80	Single	60-pin	No	C	pedestal cabinet
BK5B6A	47173036	120	60	80	Dual	S&IOBC	Yes	H	pedestal cabinet
BK5B6B	47173037	220/240	50	80	Dual	S&IOBC	Yes	H	pedestal cabinet
BK5B6C	47173038	120	60	80	Single	S&IOBC	Yes	H	pedestal cabinet
BK5B6D	47173039	220/240	50	80	Single	S&IOBC	Yes	H	pedestal cabinet
BK5B5Y	47292591	120	60	80	SINGLE	60-PIN	NO	CB	PEDESTAL CABINET
BK5B5Z	47292592	220/240	50	80	SINGLE	60-PIN	NO	CB	PEDESTAL CABINET

*** See Table 3-1 Color Code Chart

Units built after S/C 24 have Pack Interlocks.

Units have Special Supplement.

* Units built after S/C 34 have Sector and Index on A and B cables.


KBR-0661A


U 03
T

CONFIGURATION CHART

EQUIP NO.	TLA	POWER		DATA CAPACITY (MB)	CHAN ACCESS	A CABLE CONFIG	PACK INTLK SOL	COLOR CODE ****	CABINET MOUNTING STYLE
		VOLTS	HZ						
BK5B7A	47173040	120	60	80	Dual	50-pin	No	C	pedestal cabinet
BK5B7B	47173041	220/240	50	80	Dual	50-pin	No	C	pedestal cabinet
BK5B7C	47173042	120	60	80	Single	50-pin	No	C	pedestal cabinet
BK5B7D	47173043	220/240	50	80	Single	50-pin	No	C	pedestal cabinet
BK5B8C	47173046	120	60	80	Single	S&IOBC	No	K	pedestal cabinet
BK5B8D	47173047	220/240	50	80	Single	S&IOBC	No	K	pedestal cabinet
BK5B9A	47173010	120	60	80	Single	60-pin	No	L	pedestal cabinet
BK5B9B	47173011	220/240	50	80	Single	60-pin	No	L	pedestal cabinet
BK5B9C	47173012	120	60	80	Single	60-pin	No	M	acoustic cabinet
BK5B9D	47173013	220/240	50	80	Single	60-pin	No	M	acoustic cabinet
BK5B9E	47173014	120	60	80	Single	60-pin	No	N	acoustic drawer
BK5B9F	47173015	220/240	50	80	Single	60-pin	No	R	acoustic drawer
BK5B9J	47173070	120	60	80	Single	60-pin	No	S	acoustic cabinet
BK5B9K	47173071	220/240	50	80	Single	60-pin	No	S	acoustic cabinet
BK5B9L	47173072	120	60	80	Single	60-pin	No	T	acoustic drawer
BK5B9M	47173073	220/240	50	80	Single	60-pin	No	U	acoustic drawer
BK5C1E	47173092	120	60	40	Single	60-pin	No	-	basic
BK5C1F	47173093	220/240	50	40	Single	60-pin	No	-	basic
BK5C1G	47292535	120	60	80	Single	60-pin	No	-	basic
BK5C1J	47292585	100	50	80	Single	60-pin	No	-	basic
BK5C1K	47292586	100	60	80	Single	60-pin	No	-	basic
BK5C2A	47173050	120	60	80	Single	60-pin	No	P	nude
BK5C2B	47173051	220/240	50	80	Single	60-pin	No	P	nude
BK5C3A	47292511	120	60	80	Single	60-pin	No	AM	desk
BK5C3B	47292512	220/240	50	80	Single	60-pin	No	AM	desk
BK5C4A	47292559	120	60	80	Single	S&IOBC	Yes	BE	acoustic cabinet
BK5C4B	47292560	220	50	80	Single	S&IOBC	Yes	BF	acoustic cabinet
BK5C4C	47292567	120	60	80	Single	S&IOABC	Yes	BH	acoustic cabinet
BK5C4D	47292568	220	50	80	Single	S&IOABC	Yes	BJ	acoustic cabinet
BK5C4E	47292569	120	60	80	Single	60-pin	No	BM	acoustic cabinet
BK5C4F	47292570	220	50	80	Single	60-pin	No	BN	acoustic cabinet
BK5C4G	47292576	120	60	80	Single	60-pin	Yes	BH	acoustic cabinet
BK5C4H	47292577	220	50	80	Single	60-pin	Yes	BJ	acoustic cabinet
BK5C4K	47292578	220	50	80	Single	60-pin	No	BR	acoustic cabinet
BK5C4M	47292580	220	50	80	Single	60-pin	Yes	BV	acoustic cabinet
BK5C4P	47292582	220	50	80	Single	60-pin	Yes	BW	acoustic cabinet
BK5C4R	47292583	120	60	80	Single	S&IOBC	Yes	BX	acoustic cabinet
BK5C4S	47292584	220	50	80	Single	S&IOBC	Yes	BY	acoustic cabinet
BK5C5A	47292595	120	60	80	Single	60-pin	No	CC	acoustic drawer
BK5C5B	47292596	220	50	80	Single	60-pin	Yes	CC	acoustic drawer

**** See Table 3-1 Color Code Chart

**  Units built after S/C 24 have Pack Interlocks.

***  Units have Special Supplement.

* Units built after S/C 34 have Sector and Index on A and B cables.

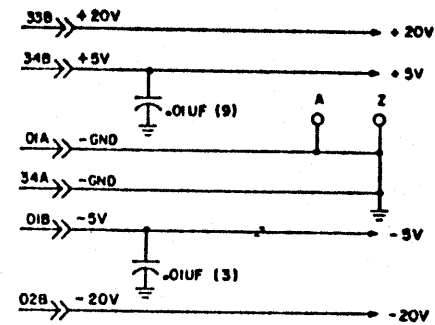
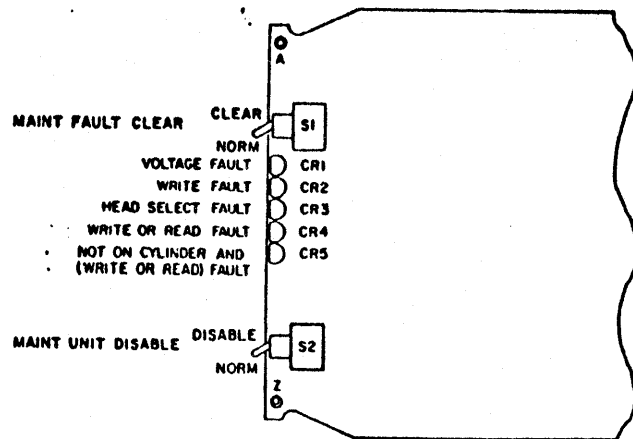
KBR-0661A

REVISION STATUS OF SHEETS

	1	2	3	4	5	6	7	8	9	10	11	12	13	14	15	16	17	18	19	20
A	A	A	A																	
B	A	B	A	A																
C	C	C	C	C																
D	D	D	D	D																
E	D	E	E	E																
F	D	E	E	E																
G	D	C	E	E																

REVISIONS					
REV	ECO	DESCRIPTION	DRFT	DATE	CHK'D
1	12/1/71	STAND	W.A.		
2	12/1/71	REAR PANEL APPROX. DIAGRAM	W.B.	11-1-71	
3					
4					
5					
6					
7					
8					
9					
10					
11					
12					
13					
14					
15					
16					
17					
18					
19					
20					

MAINTENANCE SWITCHES AND FAULT INDICATORS ON CARD EDGE

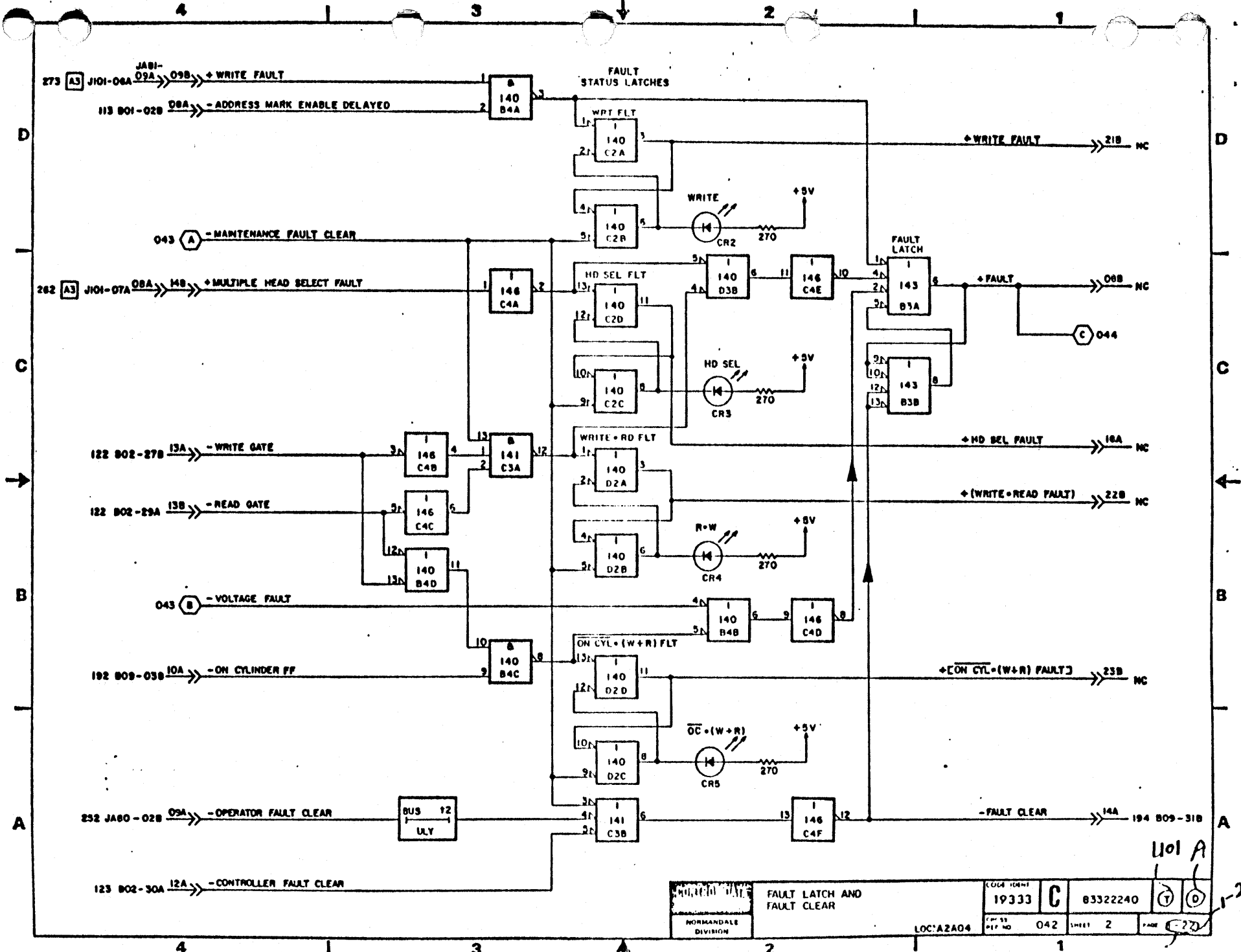


USED ON BK5C/E/I/K ONLY

DRAWN	G. RABINS	01/01/71	19333	FAULT CARD DIAGRAMS	TYPE (DKFV)	LOC A2A04	1 of 4
CHECKED			C	83322240			
ENGINEER							
APPROVED							

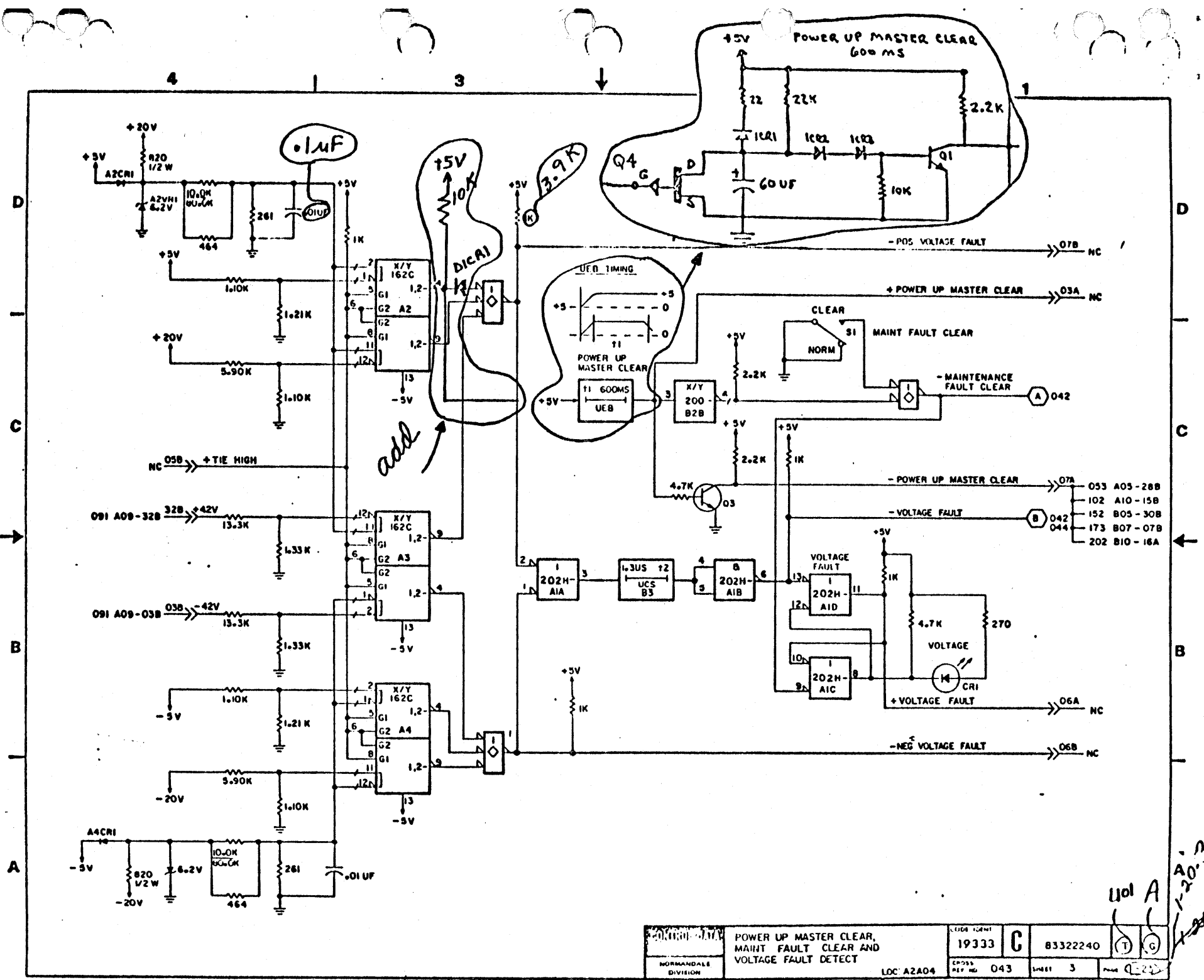
U01 A

1-20-1



NORMANDALE DIVISION	FAULT LATCH AND FAULT CLEAR		CODE IDENT 19333	C	83322240	①	②
	LOC: A2A04	REV NO 042	SHEET 2	PAGE 22			

U01 A
1-20.2



NORMANDELL DIVISION	POWER UP MASTER CLEAR, MAINT FAULT CLEAR AND VOLTAGE FAULT DETECT	19333	C	83322240	T	G
	LOC: A2A04	REV: 043	LINES: 3	PAGE: 1-2		

Uol A
1-20-3

