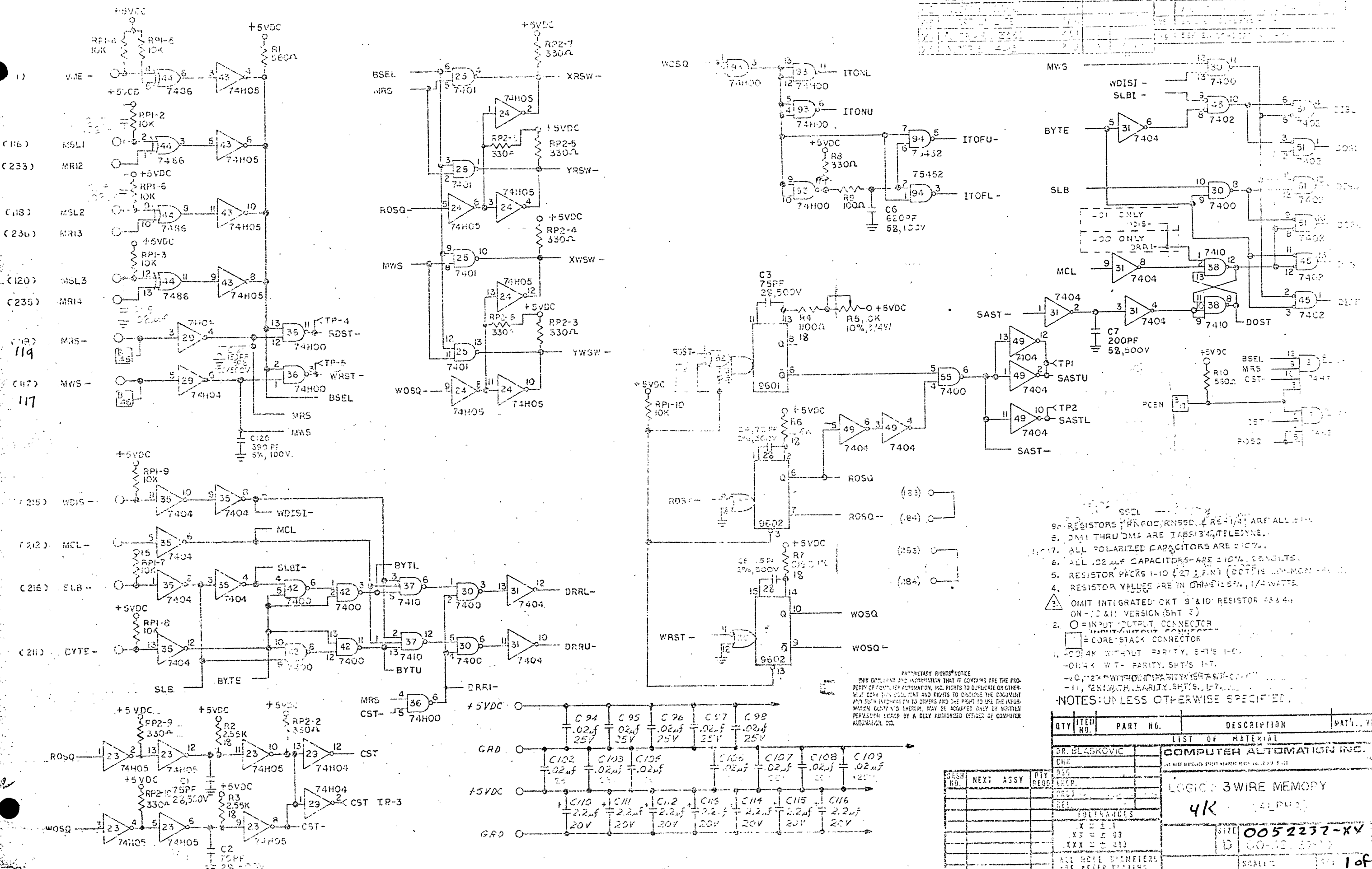


REV	DATE	BY	CHKD	APPROVED
1	11/15/72	J. J. ...		
2	11/22/72	J. J. ...		
3	12/1/72	J. J. ...		

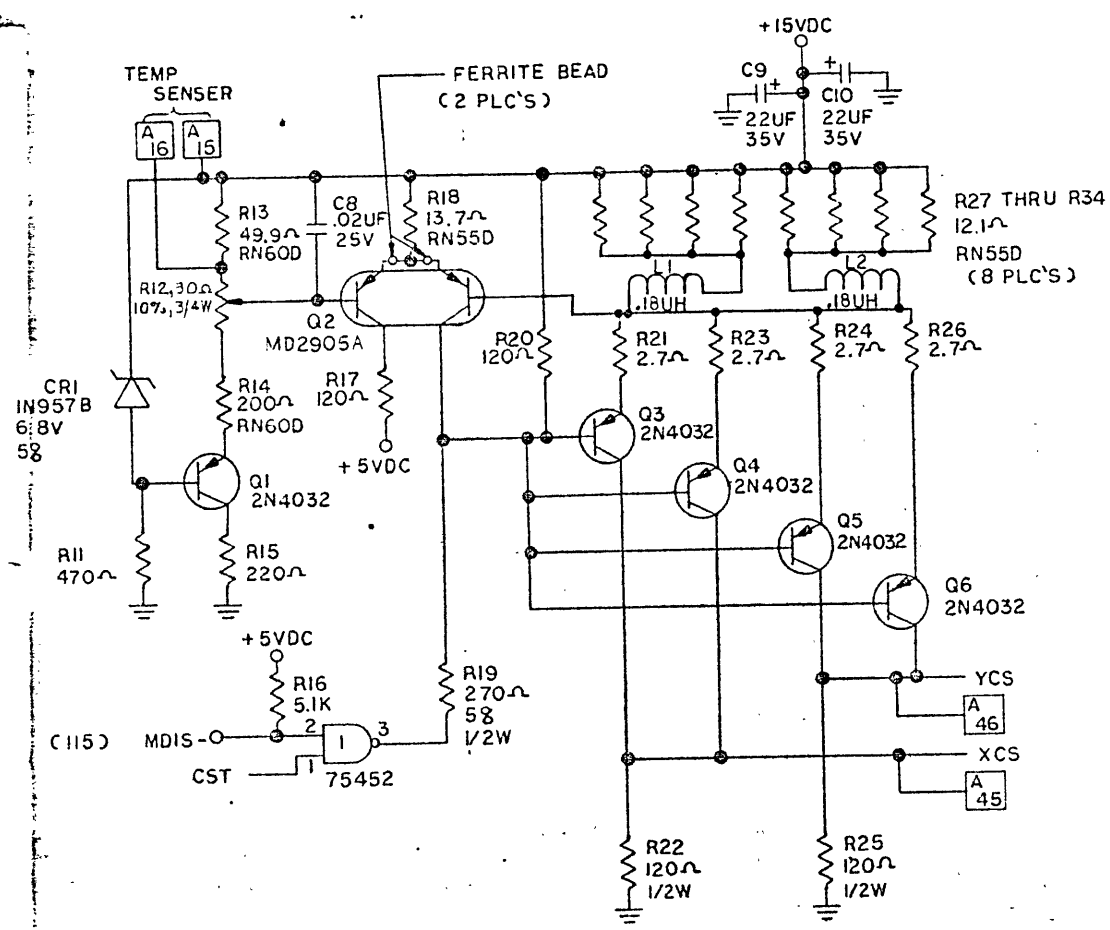
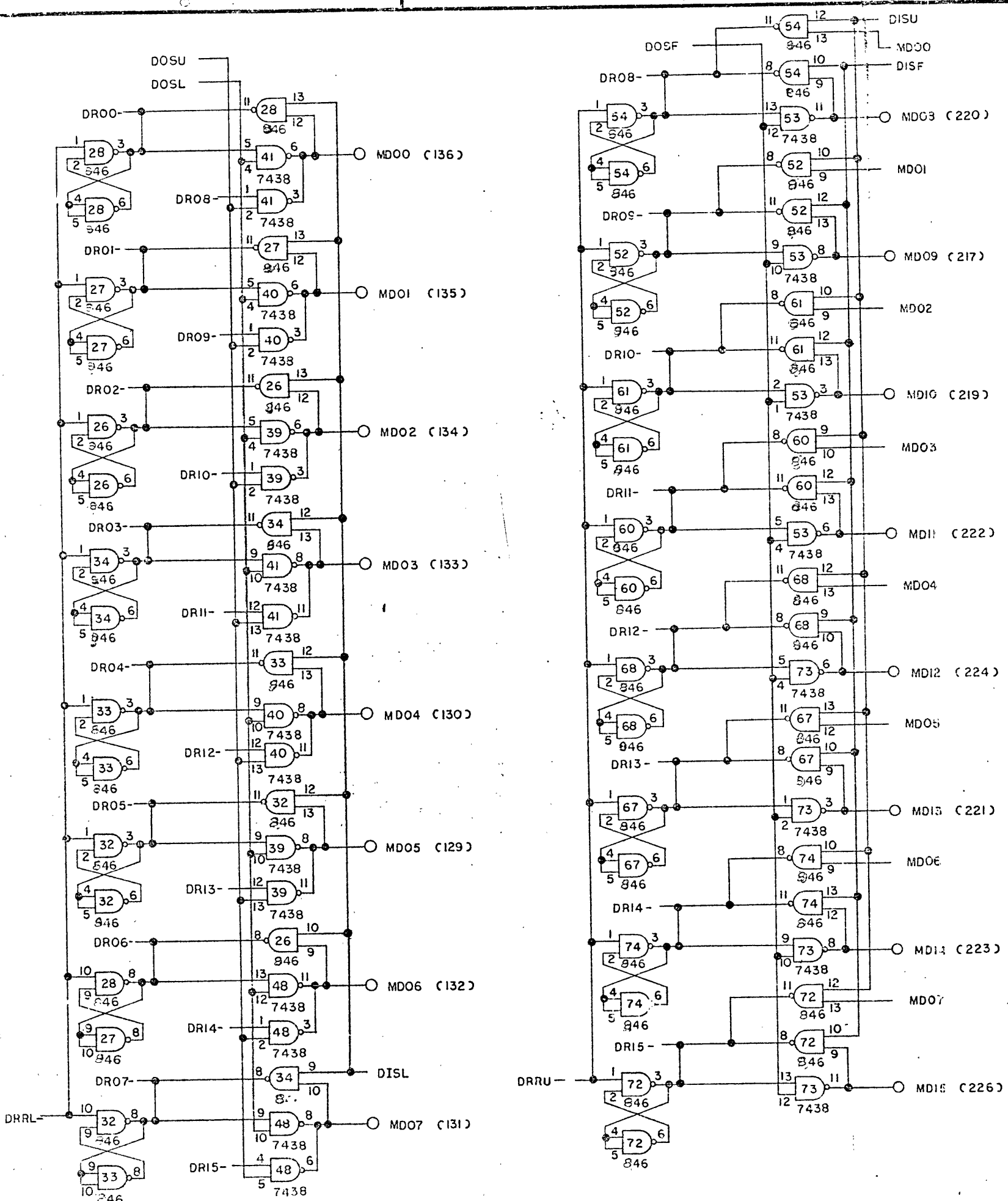


(1)  
 (116)  
 (235)  
 (118)  
 (236)  
 (120)  
 (235)  
 (119)  
 (117)

1. 10K OHM WITH PARITY, SHT'S 1-6.
2. 10K OHM WITH PARITY, SHT'S 1-7.
3. 10K OHM WITH PARITY, SHT'S 1-7.
4. 10K OHM WITH PARITY, SHT'S 1-7.
5. 10K OHM WITH PARITY, SHT'S 1-7.
6. 10K OHM WITH PARITY, SHT'S 1-7.
7. 10K OHM WITH PARITY, SHT'S 1-7.
8. 10K OHM WITH PARITY, SHT'S 1-7.
9. 10K OHM WITH PARITY, SHT'S 1-7.
10. 10K OHM WITH PARITY, SHT'S 1-7.
11. 10K OHM WITH PARITY, SHT'S 1-7.
12. 10K OHM WITH PARITY, SHT'S 1-7.
13. 10K OHM WITH PARITY, SHT'S 1-7.
14. 10K OHM WITH PARITY, SHT'S 1-7.
15. 10K OHM WITH PARITY, SHT'S 1-7.
16. 10K OHM WITH PARITY, SHT'S 1-7.
17. 10K OHM WITH PARITY, SHT'S 1-7.
18. 10K OHM WITH PARITY, SHT'S 1-7.
19. 10K OHM WITH PARITY, SHT'S 1-7.
20. 10K OHM WITH PARITY, SHT'S 1-7.

QTY	ITEM NO.	PART NO.	DESCRIPTION	MAT'L. VER.
LIST OF MATERIAL				
DR. BLASKOVIC				
COMPUTER AUTOMATION INC.				
LOGIC 3 WIRE MEMORY				
4K (ALPHA)				
SIZE 0052237-XV				
D 00-02-3712				
SCALE: 1 of 7				

PROPRIETARY RIGHTS NOTICE  
 THIS DOCUMENT AND INFORMATION CONTAINED HEREIN ARE THE PROPERTY OF COMPUTER AUTOMATION, INC. RIGHTS TO DUPLICATE OR OTHERWISE USE THIS DOCUMENT AND RIGHTS TO DISCLOSE THE CONTENT AND SUCH INFORMATION TO OTHERS AND THE RIGHT TO USE THE INFORMATION CONTAINED HEREIN, MAY BE ACQUIRED ONLY BY WRITTEN PERMISSION GRANTED BY A DULY AUTHORIZED OFFICER OF COMPUTER AUTOMATION, INC.

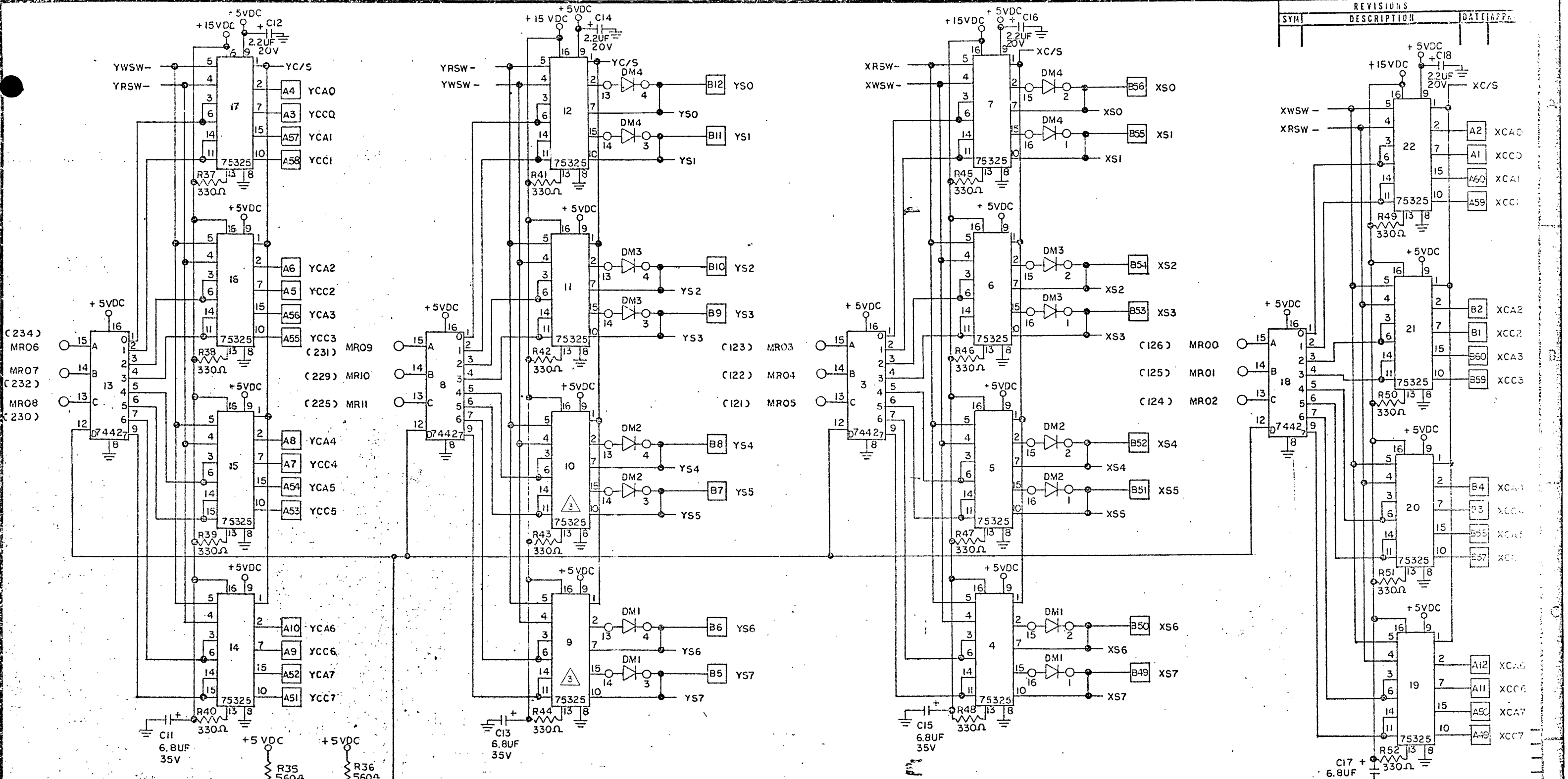


REVISIONS		
SYM	DESCRIPTION	DATE

OUTSTANDING CHANGE NOTICE	
REV. LEVEL	REWORK REQ'D.
Y1	YES
Y2	YES
Y3	YES
Y4	YES
Y5	NO
Y6	YES
Y7	YES
Y8	YES
Y9	YES
Y10	NO
Y11	NO
Y12	YES
Y13	YES
Y14	YES
Y15	YES

**PROPRIETARY RIGHTS NOTICE**  
 THIS DOCUMENT AND INFORMATION THAT IT CONTAINS ARE THE PROPERTY OF COMPUTER AUTOMATION, INC. RIGHTS TO DUPLICATE OR OTHERWISE COPY THIS DOCUMENT AND RIGHTS TO DISCLOSE THE DOCUMENT AND SUCH INFORMATION TO OTHERS AND THE RIGHT TO USE THE INFORMATION CONTAINED THEREIN, MAY BE ACQUIRED ONLY BY WRITTEN PERMISSION ISSUED BY A DULY AUTHORIZED OFFICER OF COMPUTER AUTOMATION, INC.

QTY	ITEM NO.	PART NO.	DESCRIPTION	MAT'L. VENDOR
LIST OF MATERIAL				
DR. BLASKOVIC			<b>COMPUTER AUTOMATION INC.</b>	
100 WEST SIXTEENTH STREET NEWPORT BEACH, CALIFORNIA 92644				
CHK. _____			<b>LOGIC, 3 WIRE MEMORY</b> 3 WIRE MEMORY (ALPHA)	
DSG. _____				
ENGR. _____				
PROJ. _____				
REL. _____				
TOLERANCES				
.X = ±.1			SIZE	
.XX = ±.03			D	
.XXX = ±.010			SCALE =	SHT. 2 OF 2
ALL HOLE DIAMETERS ARE AFTER PLATING				



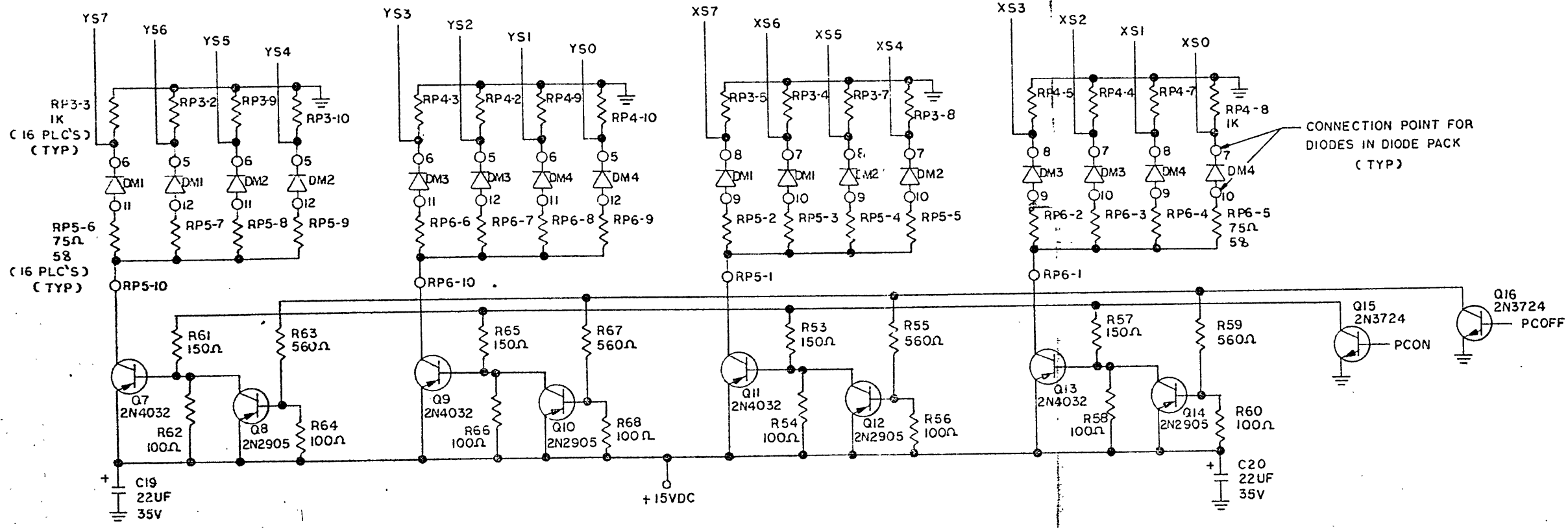
SYMBOL	REVISIONS DESCRIPTION	DATE	APP.

(234) MRO6  
(232) MRO7  
(230) MRO8

**PROPRIETARY RIGHTS NOTICE**  
 THIS DOCUMENT AND INFORMATION THAT IT CONTAINS ARE THE PROPERTY OF COMPUTER AUTOMATION, INC. RIGHTS TO DUPLICATE OR OTHERWISE COPY THIS DOCUMENT AND RIGHTS TO DISCLOSE THE DOCUMENT AND SUCH INFORMATION TO OTHERS IS AND THE RIGHT TO USE THE INFORMATION CONTAINED THEREIN, MAY BE ACQUIRED ONLY BY WRITTEN PERMISSION SIGNED BY A DULY AUTHORIZED OFFICER OF COMPUTER AUTOMATION, INC.

QTY	ITEM NO.	PART NO.	DESCRIPTION	MAT'L	VENDOR
LIST OF MATERIAL					
DR. BLASKOVIC			COMPUTER AUTOMATION INC.		
CHK.			845 WEST SIXTEENTH STREET NEWPORT BEACH, CALIFORNIA 92660		
DSG.			LOGIC, 3 WIRE MEMORY		
ENGR.			48 IC (PALPAC)		
PROJ.					
REL.					
TOLERANCES					
.X = ±.1			SIZE D		
.XX = ±.03			00-32257-XX		
.XXX = ±.010			SCALE =		
ALL HOLE DIAMETERS ARE AFTER PLATING			SHT. 3 OF		

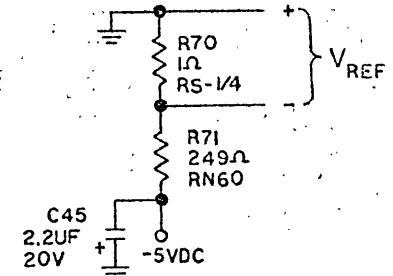
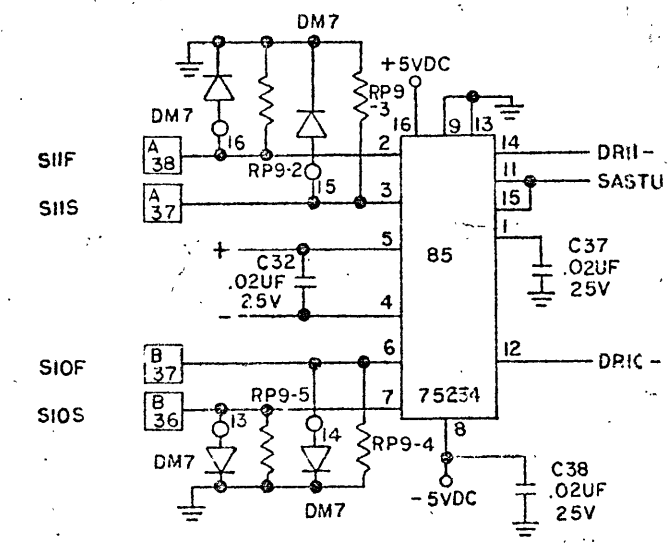
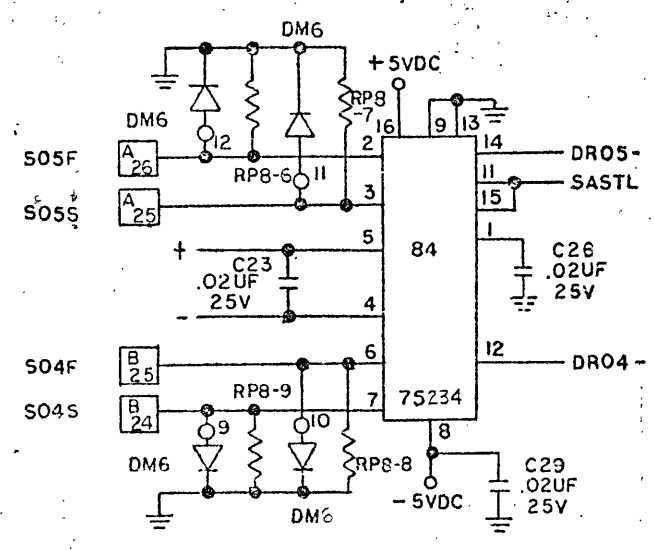
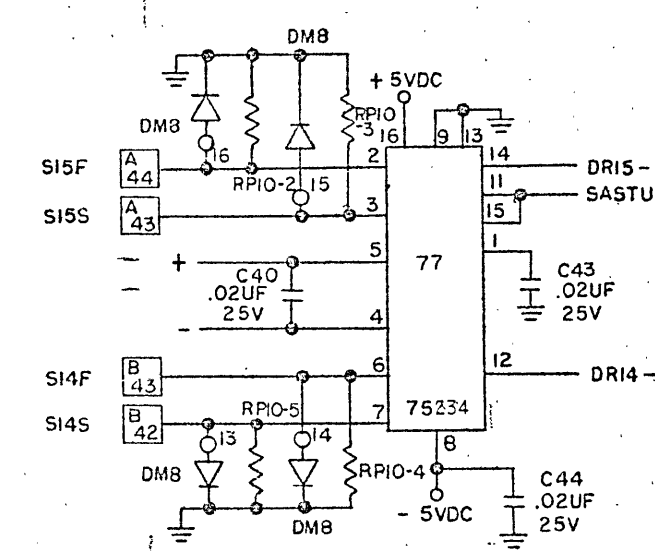
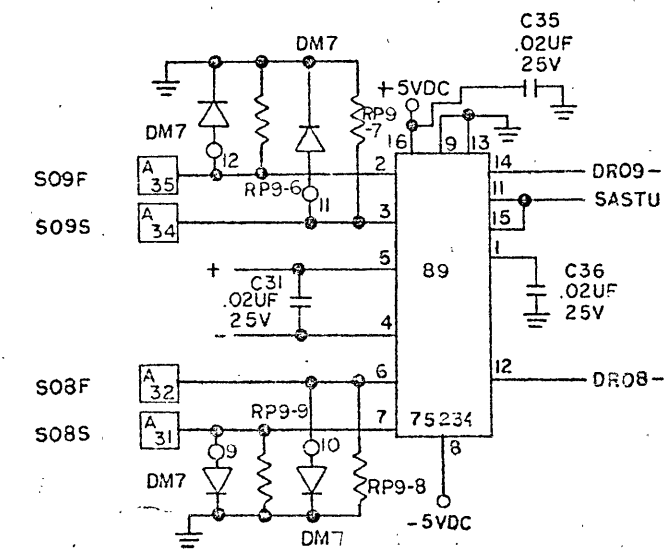
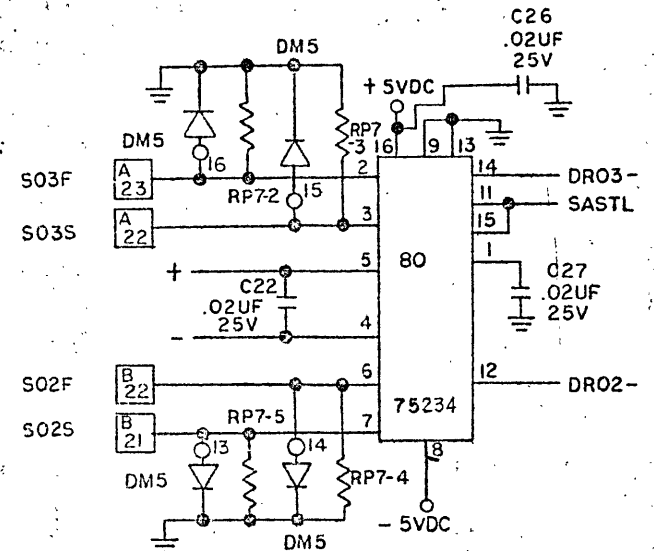
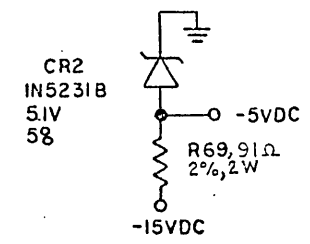
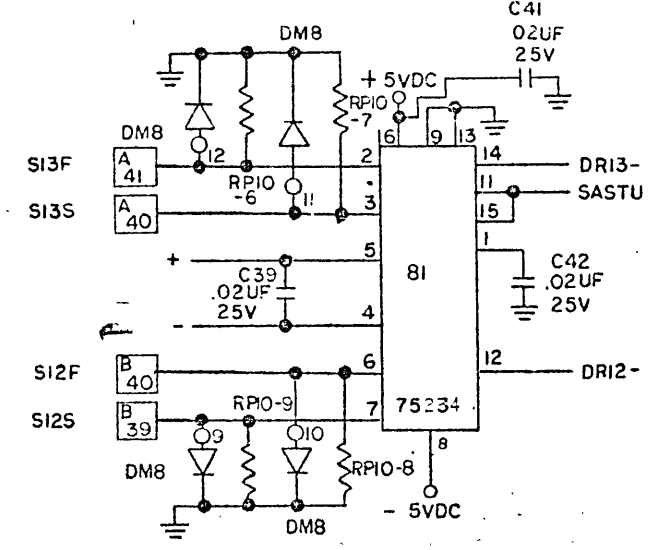
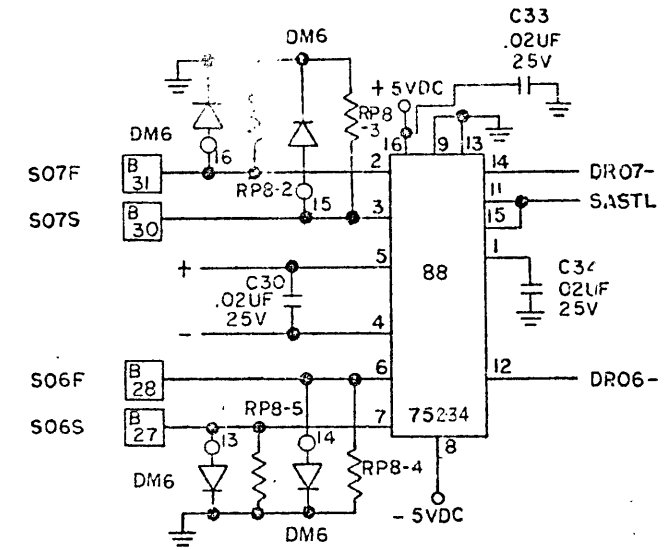
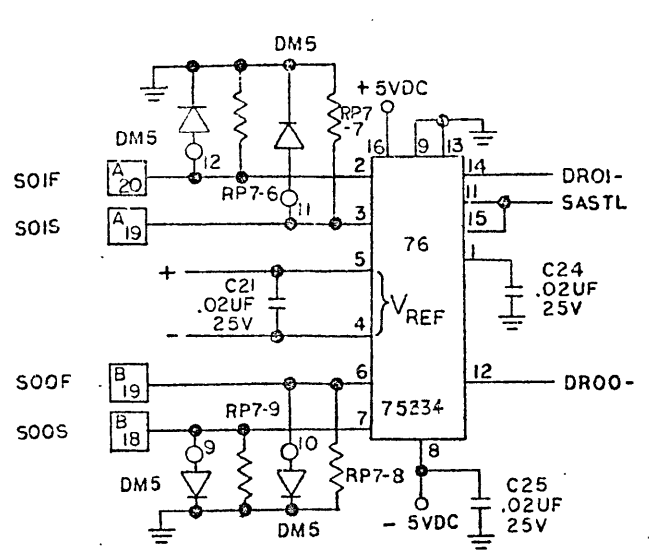
REVISIONS			
SYM	DESCRIPTION	DATE	APPROVAL



**PROPRIETARY RIGHTS NOTICE**  
 THIS DOCUMENT AND INFORMATION CONTAINED HEREIN ARE THE PROPERTY OF COMPUTER AUTOMATION, INC. RIGHTS TO DUPLICATE OR OTHERWISE COPY THIS DOCUMENT AND RIGHTS TO DISCLOSE THE DOCUMENT AND SUCH INFORMATION TO OTHERS AND THE RIGHT TO USE THE INFORMATION CONTAINED HEREIN, MAY BE ACQUIRED ONLY BY WRITER FOR REVISION ISSUED BY A DULY AUTHORIZED OFFICER OF COMPUTER AUTOMATION, INC.

QTY	ITEM NO.	PART NO.	DESCRIPTION	MAT'L VENDOR
LIST OF MATERIAL				
DR. BLASKOVIC			<b>COMPUTER AUTOMATION INC.</b>	
CHK.			855 WEST SIXTEENTH STREET NEWPORT BLANCK, CALIFORNIA 92660	
DSG.			LOGIC: 3 WIRE MEMORY 4K X 10 (ALPHA)	
ENGR.				
PROJ. 100-52237-XX				
REL.				
TOLERANCES				
.X = ± .1			SIZE	REV
.XX = ± .03			D	00-52237-XX
.XXX = ± .010			SCALE =	SHT. 4 OF
ALL HOLE DIAMETERS ARE AFTER PLATING				

REVISIONS		
SYM	DESCRIPTION	DATE/APPROVAL



**PROPRIETARY RIGHTS NOTICE**  
 THIS DOCUMENT AND INFORMATION THAT IT CONTAINS ARE THE PROPERTY OF COMPUTER AUTOMATION, INC. RIGHTS TO DUPLICATE OR OTHERWISE COPY THIS DOCUMENT AND RIGHTS TO DISCLOSE THE DOCUMENT AND SUCH INFORMATION TO OTHERS AND THE RIGHT TO USE THE INFORMATION CONTAINED THEREIN, MAY BE ACQUIRED ONLY BY WRITTEN PERMISSION GRANTED BY A DULY AUTHORIZED OFFICER OF COMPUTER AUTOMATION, INC.

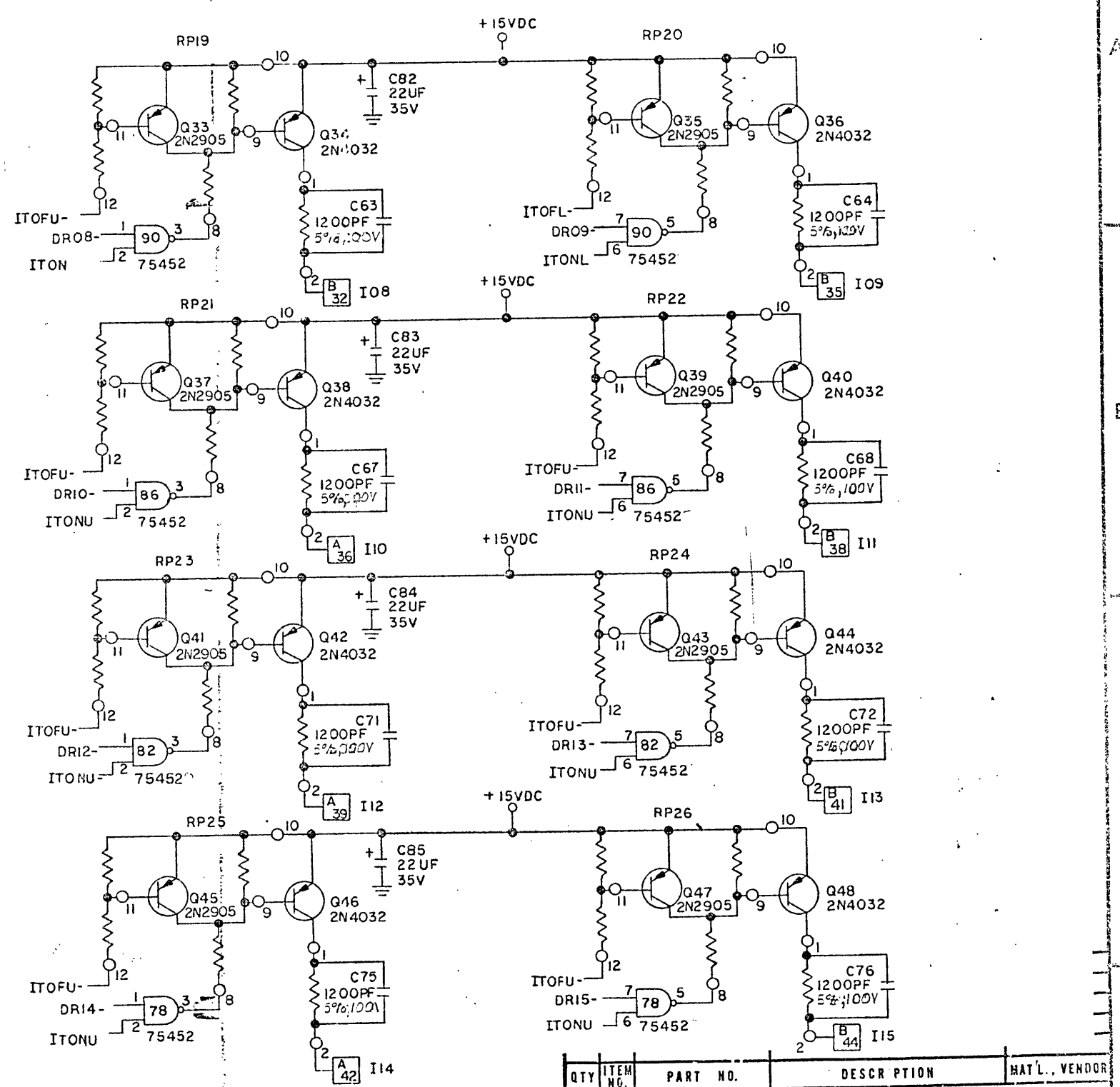
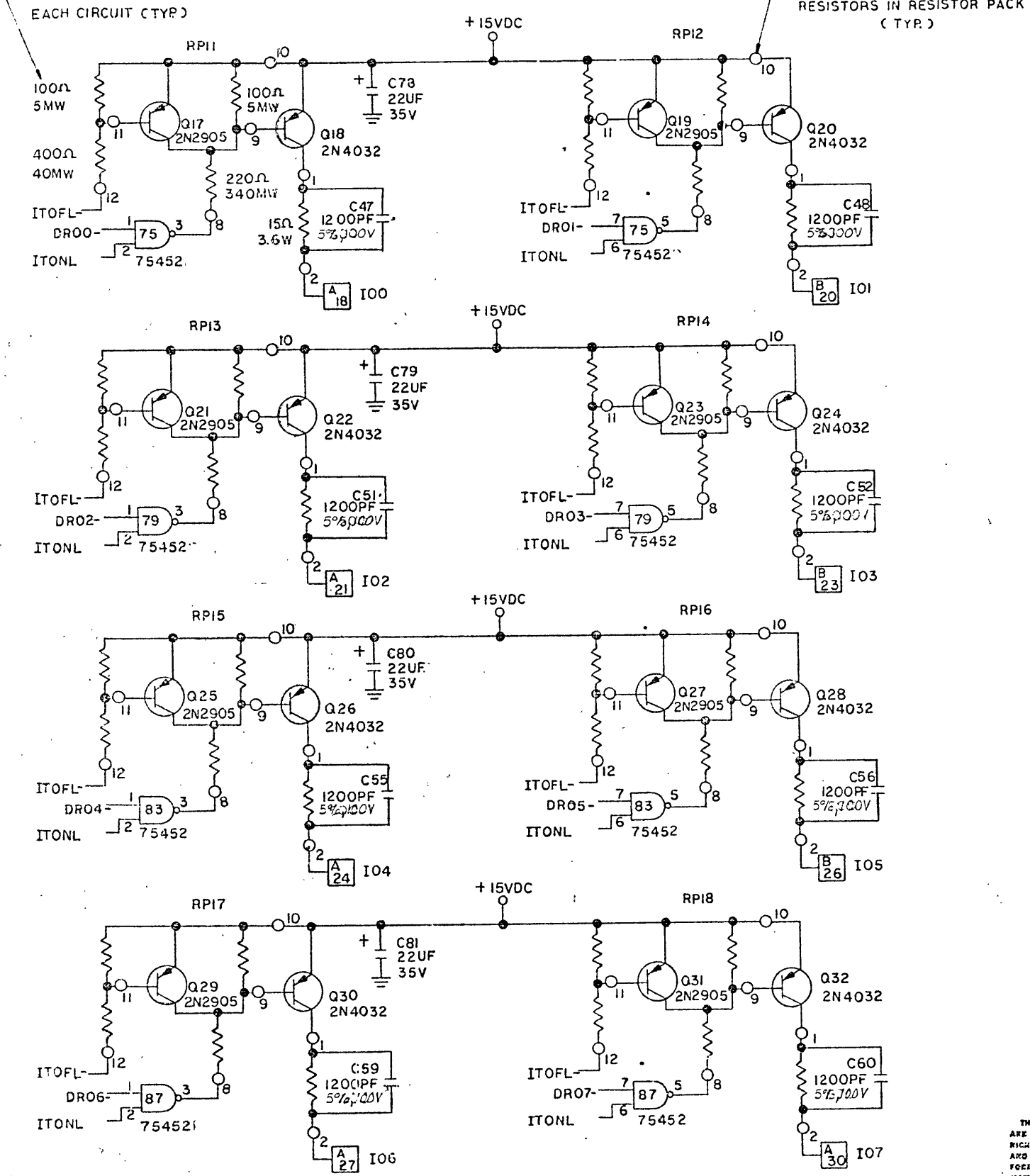
NOTE: RP7-RP10 ARE 100Ω, 1/4W, 5%

QTY	ITEM NO.	PART NO.	DESCRIPTION	MAT'L.	VENDOR
LIST OF MATERIAL					
DR. BLASKOVIC			<b>COMPUTER AUTOMATION INC.</b>		
CHK.			300 WEST SIXTEENTH STREET, NEWPORT BEACH, CALIFORNIA 92660		
DSG.			LOGIC, 3 WIRE MEMORY 4015 (ALPHA)		
ENGR.					
PROJ.					
REL.					
TOLERANCES					
.X = ± .1					
.XX = ± .03					
.XXX = ± .010					
ALL HOLE DIAMETERS ARE AFTER PLATING					
DASH NO.			SIZE	PEL	
NEXT ASSY			D	Y	
QTY REQD.			00-52237-4X	SCALE =	
REL.			SHT. 5 OF 7		

REVISIONS		
SYN	DESCRIPTION	DATE/APPROVAL

RESISTOR VALUES FOR EACH CIRCUIT (TYP.)

CONNECTION POINT FOR RESISTORS IN RESISTOR PACK (TYP.)



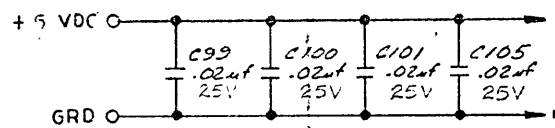
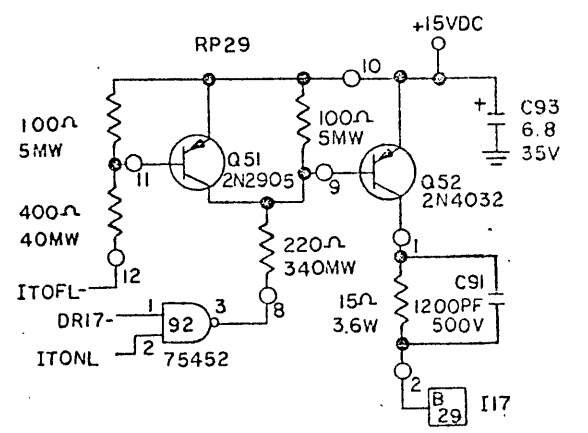
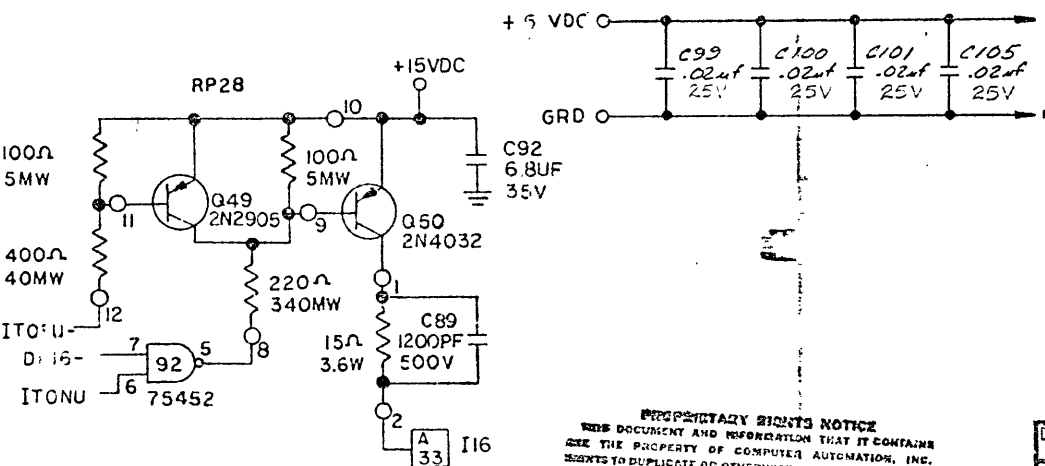
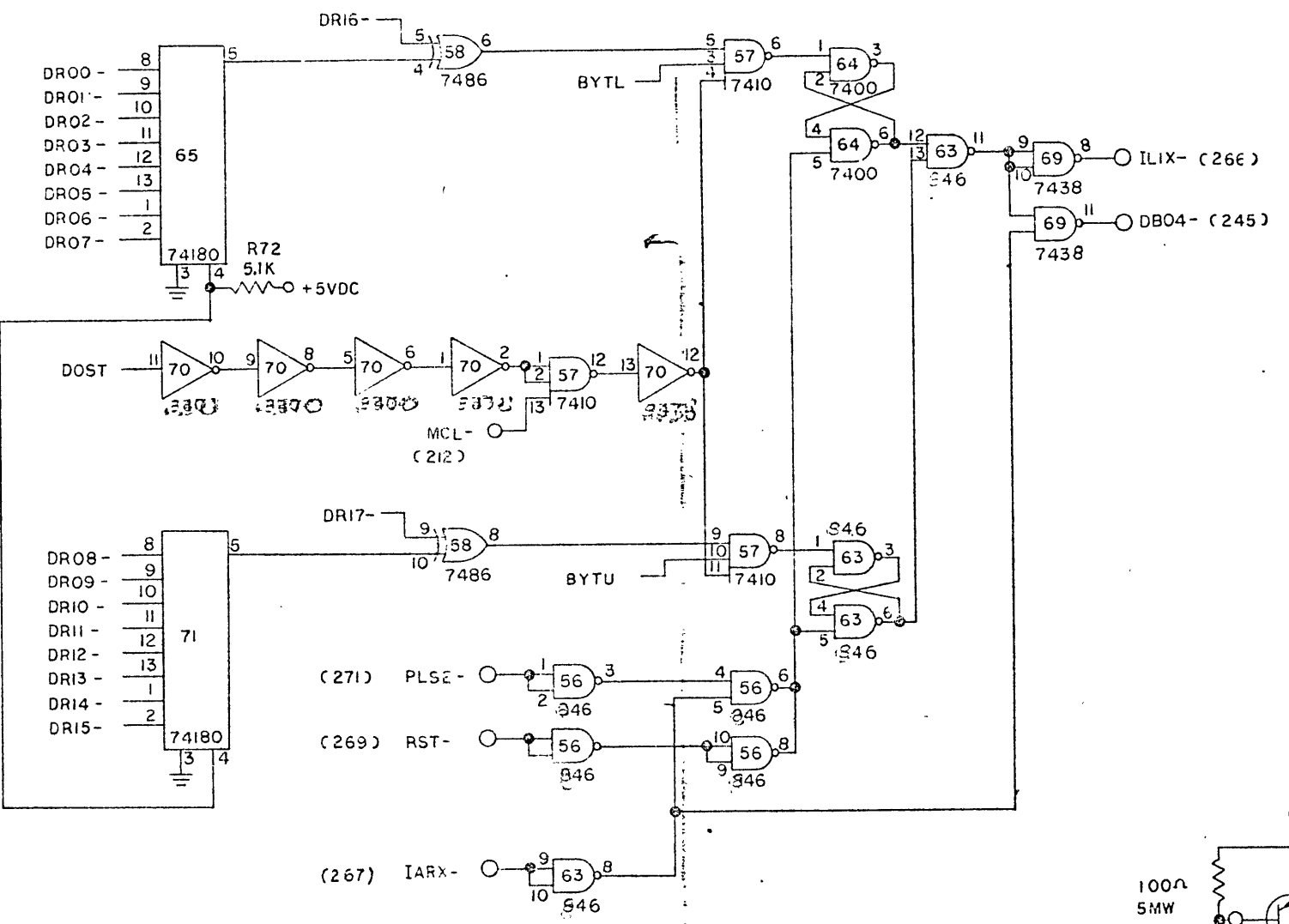
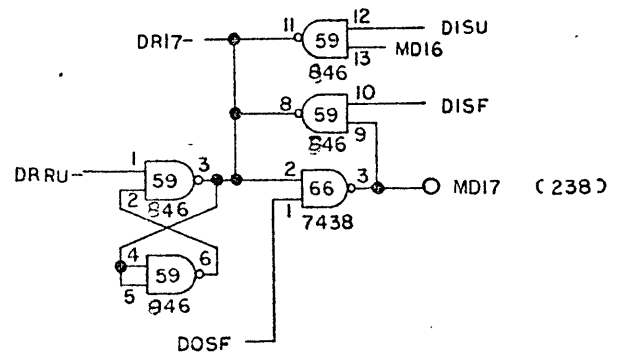
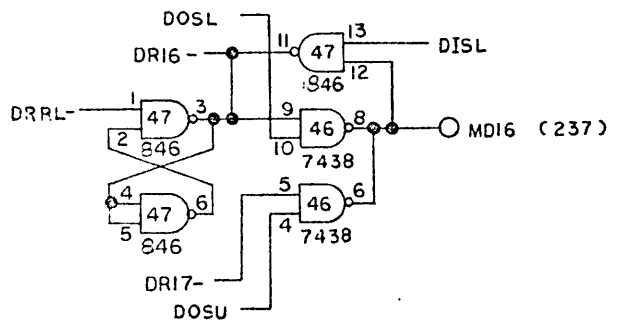
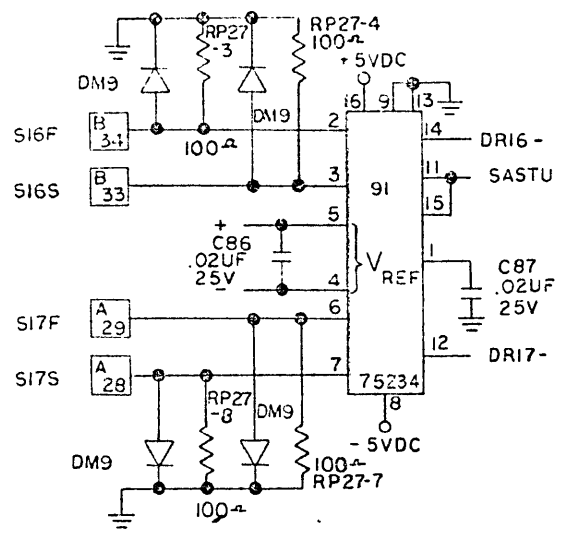
**PROPRIETARY RIGHTS NOTICE**  
 THIS DOCUMENT AND INFORMATION THAT IT CONTAINS ARE THE PROPERTY OF COMPUTER AUTOMATION, INC. RIGHTS TO REPRODUCE OR OTHERWISE COPY THIS DOCUMENT AND RIGHTS TO DISCLOSE THE DOCUMENT AND ALL INFORMATION TO OTHERS AND THE RIGHT TO USE THE INFORMATION CONTAINED THEREIN, MAY BE ACQUIRED ONLY BY WRITTEN PERMISSION SIGNED BY A DULY AUTHORIZED OFFICER OF COMPUTER AUTOMATION, INC.

DASH NO.	NEXT ASSY	QTY REQD	DSG. ERGR.

QTY	ITEM NO.	PART NO.	DESCRIPTION	MAT'L. VENDOR
LIST OF MATERIAL				
DR. BLASKOVIC				
CHK.				
DSG.				
ERGR.				
PROJ.				
REL.				
TOLERANCES				
.X = ±.1				
.XX = ±.03				
.XXX = ±.010				
ALL HOLE DIAMETERS ARE AFTER PLATING				
SIZE	D 00-52237 XX			REV
SCALE =	SHT. 6 OF 7			

LOGIC, 3 WIRE MEMORY (ALPHA)

REVISIONS		
SYN	DESCRIPTION	DATE



**PROPRIETARY RIGHTS NOTICE**  
 THIS DOCUMENT AND INFORMATION THAT IT CONTAINS ARE THE PROPERTY OF COMPUTER AUTOMATION, INC. NO PARTS OF THIS DOCUMENT OR INFORMATION HEREIN ARE TO BE REPRODUCED OR TRANSMITTED IN ANY FORM OR BY ANY MEANS, ELECTRONIC OR MECHANICAL, INCLUDING PHOTOCOPYING, RECORDING, OR BY ANY INFORMATION STORAGE AND RETRIEVAL SYSTEM, WITHOUT PERMISSION IN WRITING FROM COMPUTER AUTOMATION, INC.

DASH NO.	NEXT ASSY	QTY	REQD

QTY	ITEM NO.	PART NO.	DESCRIPTION	MAT'L. YIELD
LIST OF MATERIAL				
DR. BLASKOVIC				
CHK.				
DSG.				
ENGR.				
PROJ.				
REL.				
TOLERANCES				
.X = ± .1				
.XX = ± .03				
.XXX = ± .010				
ALL HOLE DIAMETERS ARE AFTER PLATING				
SIZE			REV	
D			CC-22237-XX	Y
SCALE =			SHT. 7 OF	