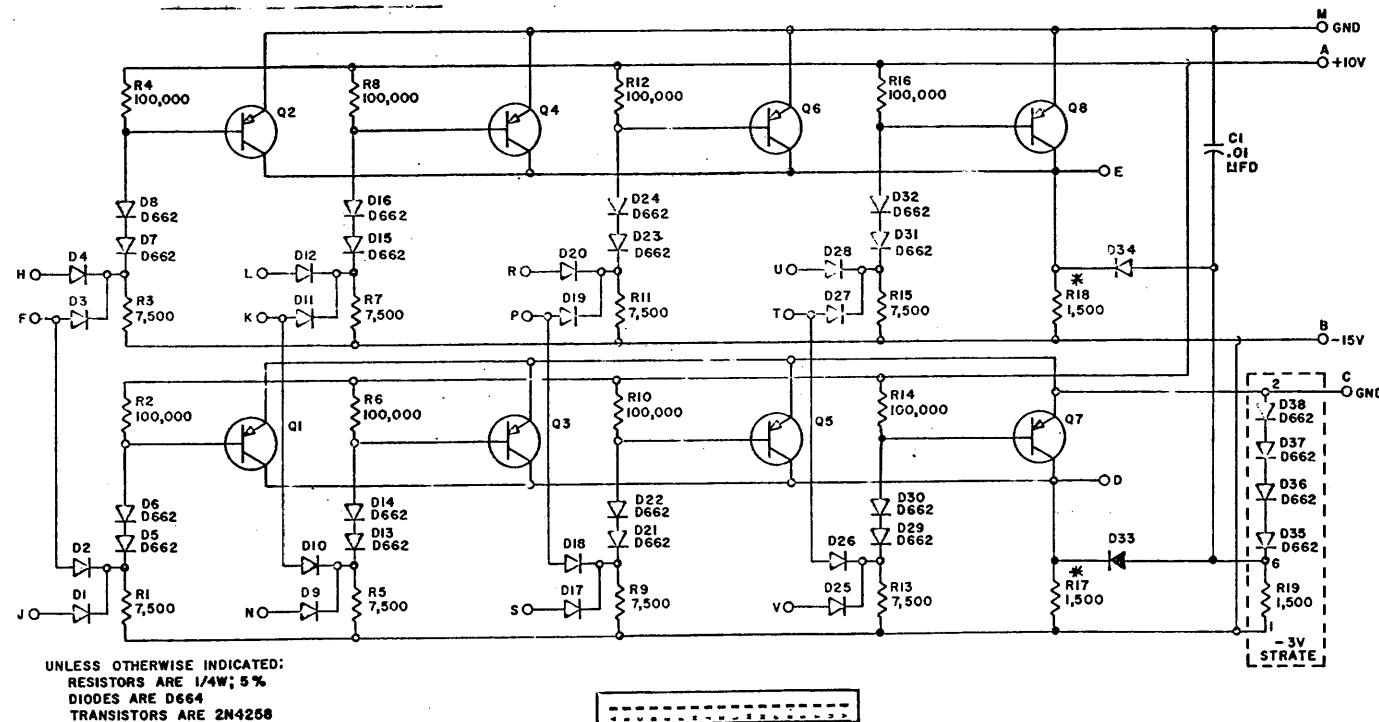
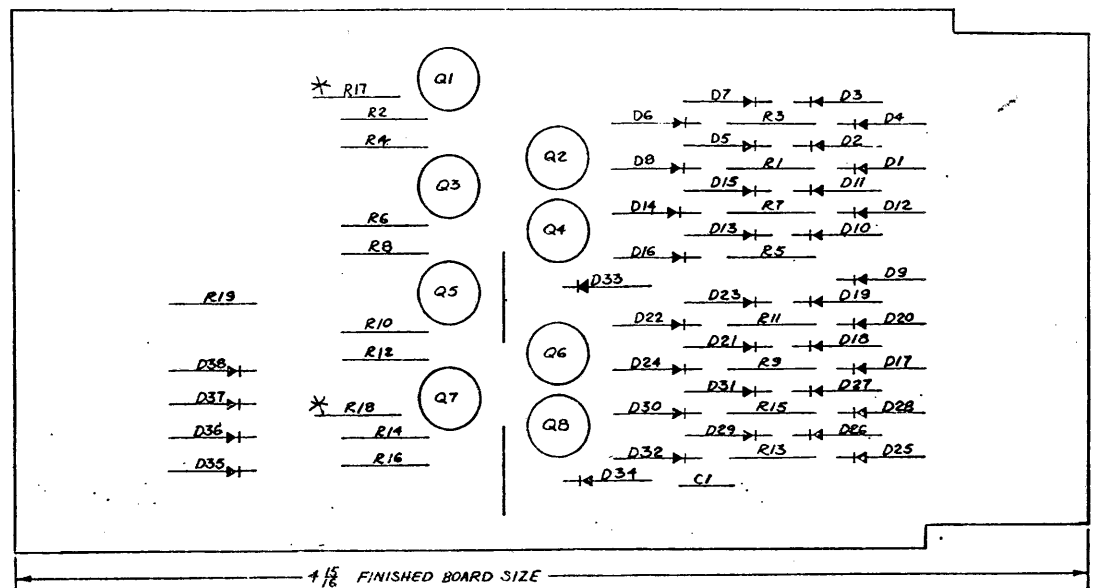


This drawing and specifications, herein, are the property of Digital Equipment Corporation and shall not be reproduced or copied or used in whole or in part as the basis for the manufacture or sale of items without written permission.



UNLESS OTHERWISE INDICATED:
RESISTORS ARE 1/4W; 5%
DIODES ARE D664
TRANSISTORS ARE 2N4258

NOTES
* THESE RESISTORS ARE DELETED ON B169-YA

QTY	REF DESIGNATION	DESCRIPTION	PART NO.	ITEM NO.
2		EYELET	9006732	13
8	Q1-Q8	TRANSISTOR DEC4258	1505221	12
8	R2,4,6,8,10,12,14,16	RESISTOR 100K 1/4W 5%	1302466	11
8	R1,3,5,7,9,11,13,15	RESISTOR 7.5K 1/4W 5%	1301422	10
3	R17-R19	RESISTOR 1.5K 1/4W 5%	1300391	9
18	D1-D4, D9-D12, D17-D20, D25-D28, D33, D34	DIODE D664	1100114	8
20	D5-D8, D13-D16, D21-D24, D29-D32, D35-D38	DIODE D662	1100113	7
1	C1	CAP. 0.1MF 100V 20% DISC	1001610	6
1		HANDLE FLIPCHIP-BLUE	9008337-5	5
1		ETCHED CIRCUIT BOARD	5003781	4
REF		MODULE ECO HISTORY	B-MH-B169-0-6	3
REF		ASSY/DRILLING HOLE CUTOUT	D-AH-B169-0-5	2
REF		X-Y COORDINATE HOLE LOCATION	K-CO-B169-0-4	1

ETCH BOARD REV		PARTS LIST	
B			
DRN	DATE	digital EQUIPMENT CORPORATION	
CHKD	DATE	CORPORATION	
ENG	DATE	TITLE	
PROJ. ENG.	DATE	INVERTER	
PROD.	DATE	SIZE CODE	
		DCS B169-0-1	
NEXT HIGHER ASSY		SCALE	REV.
		1 OF 1	D
SEMICONDUCTOR CONVERSION CHART			
DEC NO.	EIA NO.	DEC NO.	EIA NO.

JOE McMULLIN
12-7-72
REVISED & REDRAWN
L.M. B169-00001 D