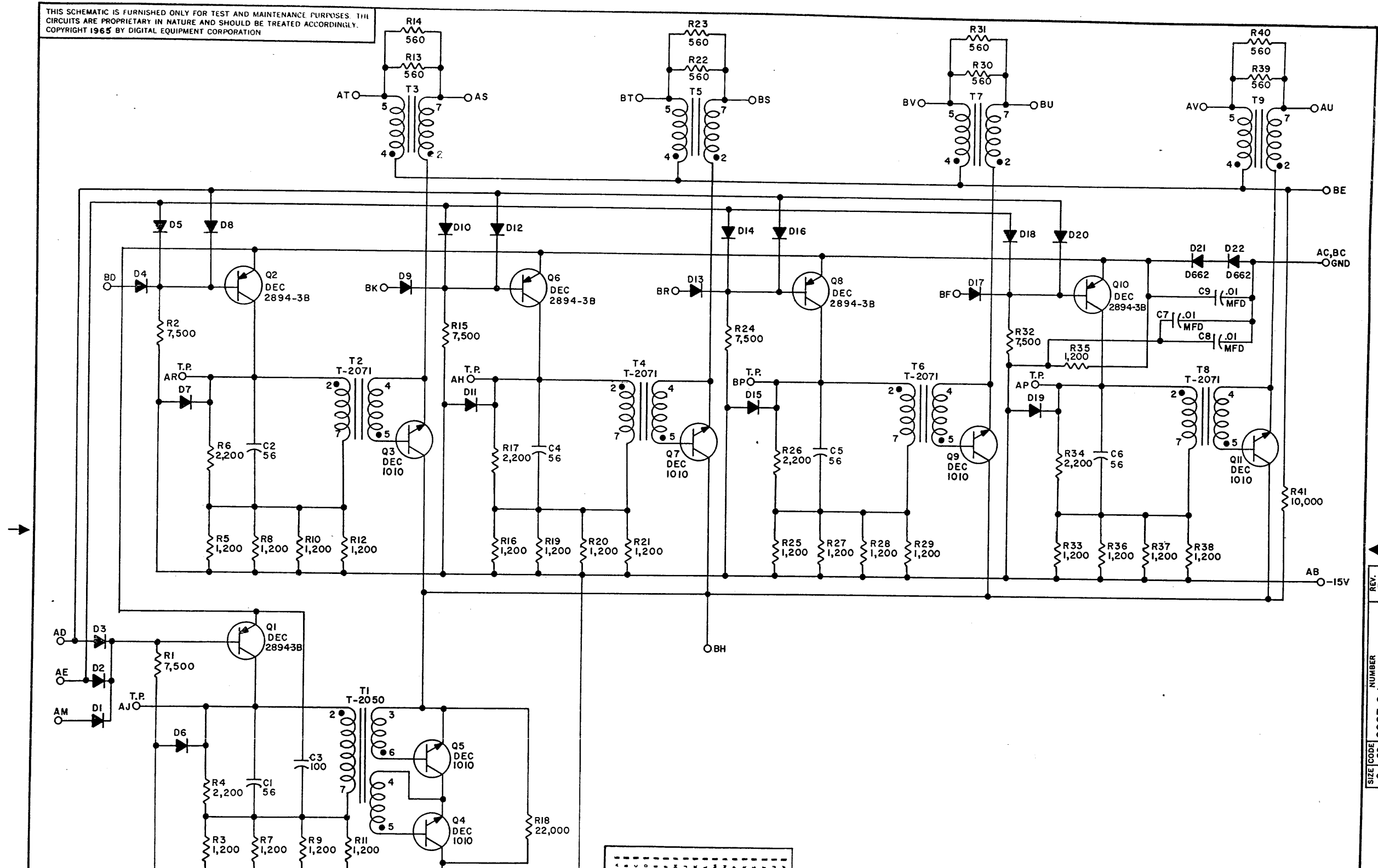


THIS SCHEMATIC IS FURNISHED ONLY FOR TEST AND MAINTENANCE PURPOSES. THE CIRCUITS ARE PROPRIETARY IN NATURE AND SHOULD BE TREATED ACCORDINGLY. COPYRIGHT 1965 BY DIGITAL EQUIPMENT CORPORATION



UNLESS OTHERWISE INDICATED:
 RESISTORS ARE 1/4W; 5%
 CAPACITORS ARE MMFD
 DIODES ARE D664
 TRANSFORMERS ARE T-2052

PARTS LIST IS A-PL-G207

REV.	CHK	CHG	NO.	REV.
B	5369			
C	5698			
D	6734			
E	0002			

DRN.	DATE	DEC	EIA
H. PORTER	2-2-65		
CHK'D	DATE	DEC	EIA
N. PERRYMAN	2-11-65	DEC1008	MM1008
ENG.	DATE	DEC2894-3B	NONE
TOM HUGHES	2-11-65	D662	IN645
PROD.	DATE	D664	IN3606

TRANSISTOR & DIODE CONVERSION CHART			
DEC	EIA	DEC	EIA

digital		TITLE	
EQUIPMENT CORPORATION		INHIBIT DRIVER G207	
SIZE	CODE	NUMBER	REV.
C	CS	G207-0-1	E
PRINTED CIRCUIT REV.			

DEC FORM NO. DRC 102

5 DIST. 324, 434, 433, 436 PINK

REV. E
 NUMBER
 CS G207-0-1
 SIZE CODE
 C