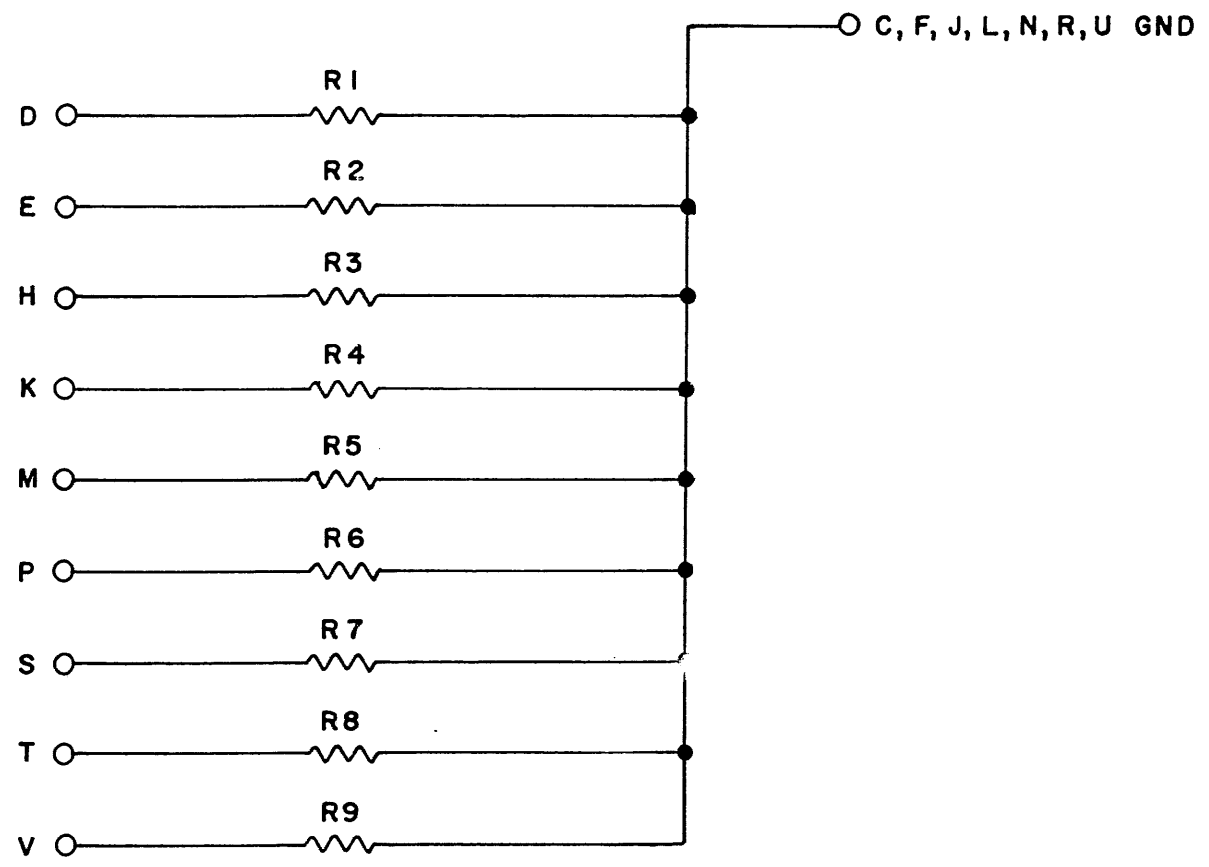


THIS SCHEMATIC IS FURNISHED ONLY FOR TEST AND MAINTENANCE PURPOSES. THE CIRCUITS ARE PROPRIETARY IN NATURE AND SHOULD BE TREATED ACCORDINGLY. COPYRIGHT 1966 BY DIGITAL EQUIPMENT CORPORATION

↓

REV.	A
SIZE	B
CODE	CS
NUMBER	6700-0-1



UNLESS OTHERWISE INDICATED:  
ALL RESISTORS ARE 100; 1/4W; 5%

-----  
< A B C D E F G H I J K L M N O P Q R S T U V W X Y Z 0 1 2 3 4 5 6 7 8 9 >

REVISIONS CHK CHG NO. REV. 6401 A	DRN. <i>M. Haller</i> DATE 11-10-66	TRANSISTOR & DIODE CONVERSION CHART <table border="1" style="width: 100%; border-collapse: collapse;"> <thead> <tr> <th colspan="2">DEC</th> <th colspan="2">EIA</th> </tr> </thead> <tbody> <tr><td> </td><td> </td><td> </td><td> </td></tr> <tr><td> </td><td> </td><td> </td><td> </td></tr> <tr><td> </td><td> </td><td> </td><td> </td></tr> <tr><td> </td><td> </td><td> </td><td> </td></tr> <tr><td> </td><td> </td><td> </td><td> </td></tr> <tr><td> </td><td> </td><td> </td><td> </td></tr> <tr><td> </td><td> </td><td> </td><td> </td></tr> </tbody> </table>	DEC		EIA																														<div style="text-align: center; font-weight: bold; font-size: 1.2em;">digital</div> EQUIPMENT CORPORATION <small>MAYNARD, MASSACHUSETTS</small>	TITLE <b>100Ω TERMINATOR G700</b>	
	DEC		EIA																																		
CHK'D <i>R. Sabreman</i> DATE 11/14/66	ENG. <i>J. E. View</i> DATE 11-14-66	PROD. DATE	<table border="1" style="width: 100%; border-collapse: collapse;"> <tr> <td style="padding: 2px;">SIZE</td> <td style="padding: 2px;">CODE</td> <td style="padding: 2px;">NUMBER</td> <td style="padding: 2px;">REV.</td> </tr> <tr> <td style="padding: 2px;">B</td> <td style="padding: 2px;">CS</td> <td style="padding: 2px;">6700-0-1</td> <td style="padding: 2px;">A</td> </tr> <tr> <td colspan="3" style="padding: 2px;">PRINTED CIRCUIT REV.</td> <td style="padding: 2px;">B</td> </tr> </table>	SIZE	CODE	NUMBER	REV.	B	CS	6700-0-1	A	PRINTED CIRCUIT REV.			B																						
SIZE	CODE	NUMBER	REV.																																		
B	CS	6700-0-1	A																																		
PRINTED CIRCUIT REV.			B																																		

