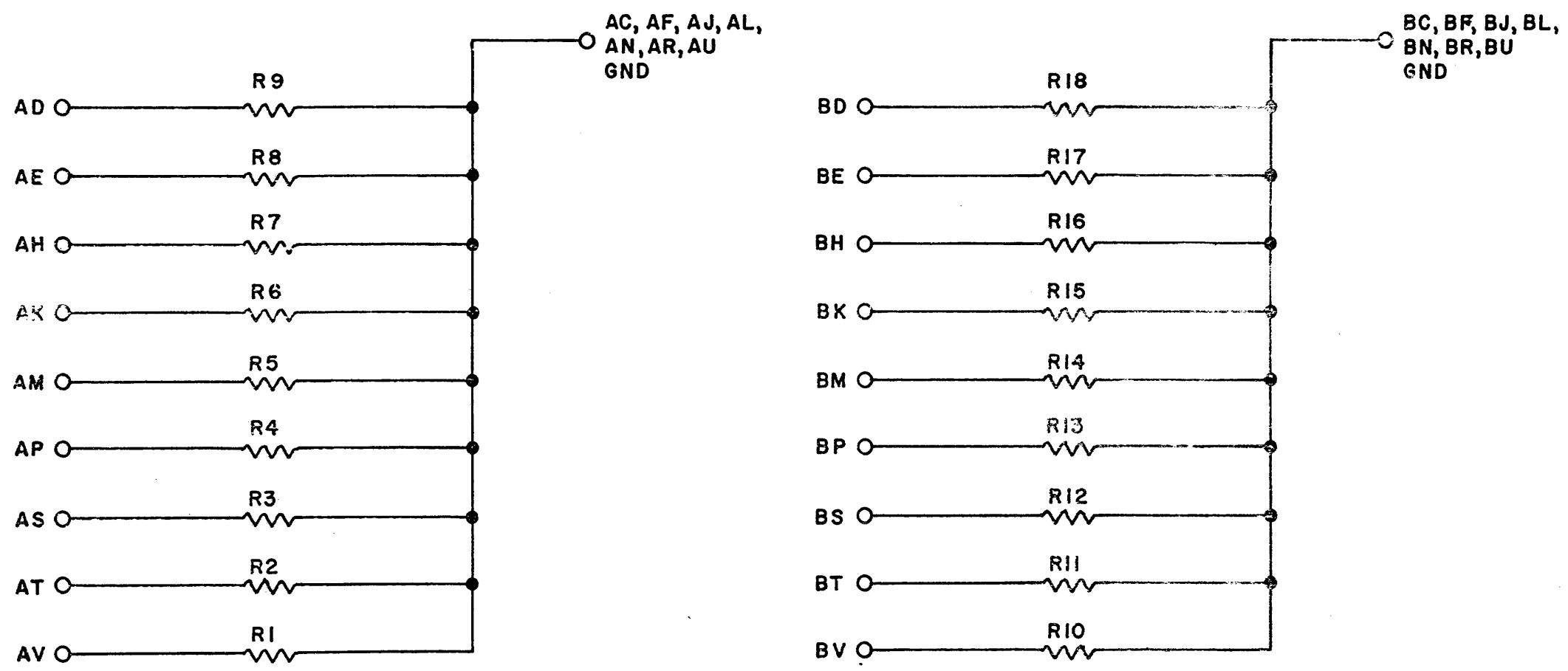


THIS SCHEMATIC IS FURNISHED ONLY FOR TEST AND MAINTENANCE PURPOSES. THE CIRCUITS ARE PROPRIETARY IN NATURE AND SHOULD BE TREATED ACCORDINGLY. COPYRIGHT 1967 BY DIGITAL EQUIPMENT CORPORATION



UNLESS OTHERWISE INDICATED:
 RESISTORS ARE 100, 1/4 W, 5%



| | | | | | | | | | | | | | | | |
|-----------|-----|---------|------|-------|-------------------|---------|-------------------------------------|-----|-----|--------------------------|---|----------------------|------|----------|------|
| REVISIONS | CHK | CHG NO. | REV. | | DRN. | DATE | TRANSISTOR & DIODE CONVERSION CHART | | | | EQUIPMENT CORPORATION MAYNARD, MASSACHUSETTS | TITLE | | | |
| | | 00001 | A | | <i>Mr. Waller</i> | 7-25-67 | DEC | EIA | DEC | EIA | | 100Ω TERMINATOR G703 | | | |
| | | | | | CHK'D | DATE | | | | | | SIZE | CODE | NUMBER | REV. |
| | | | | | ENG. | DATE | | | | | | B | CS | G703-0-1 | A |
| | | | | PROD. | DATE | | | | | PRINTED CIRCUIT REV. A B | | | | | |