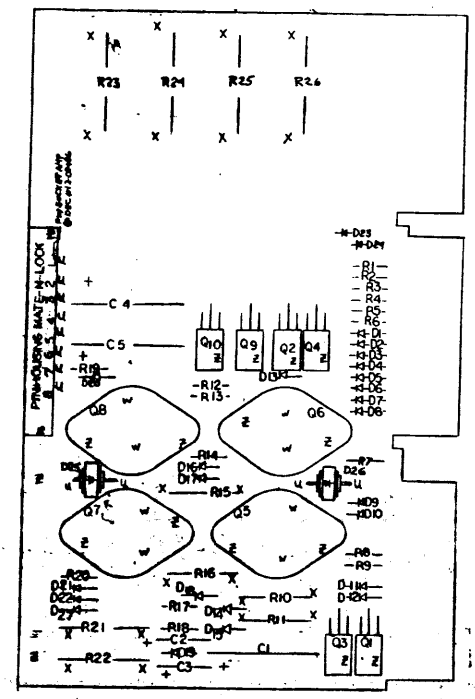
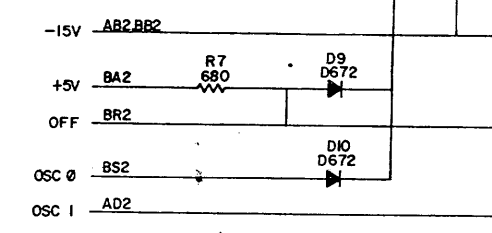
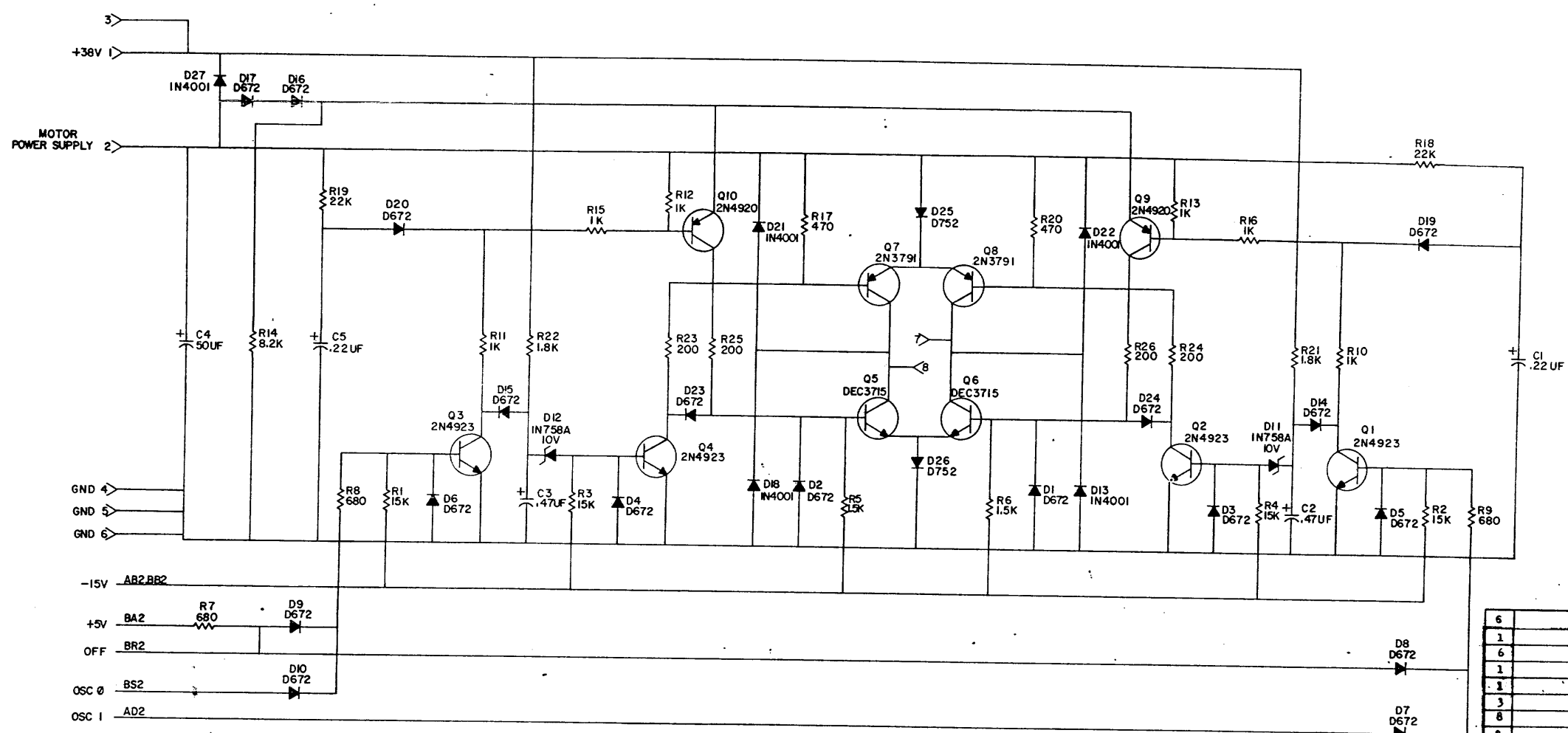


THIS SCHEMATIC IS FURNISHED ONLY FOR TEST AND MAINTENANCE PURPOSES. THE CIRCUITS ARE PROPRIETARY IN NATURE AND SHOULD BE TREATED ACCORDINGLY. COPYRIGHT (1971) BY DIGITAL EQUIPMENT CORPORATION

1-0-8489 SD 1
300-165



QTY.	REP. DESIGNATION	DESCRIPTION	ENC PART NO.
6		NYLON SCREW 4-40X3/8	900640
1		PIPER SPACER 4 x 1/4	700000
6		4-40 NYLON HEX NUT	900000
1		NYLON HEX NUT	900000
1		NYLON SCREW 4-40 x 1/2	900000
3		HANDLE EYELET	900000
8		4-40 KEPRUT	900000
8		4-40 x 5/16" SCREW	900000
1		HANDLE, FLIP CHIP - GREEN	900000
2	Q9, 10	TRANSISTOR 2N4920	1300125
4	Q1, 2, 4, 3	TRANSISTOR 2N4923	1300125
2	Q7, 8	TRANSISTOR 2N3791	1300125
2	Q5, 6	TRANSISTOR DEC 3715	1300125
2	R18, 19	RES. 22K 1/4W 5%	1300125
4	R23, 24, 25, 26	RES. 200 5W 5%	1300125
4	R1, 2, 3, 4	RES. 15K 1/4W 5%	1300125
1	R14	RES. 8.2K 1/4W 5%	1300125
2	R21, 22	RES. 1.8K 2W 10%	1300125
2	R5, 6	RES. 1.5K 1/4W 5%	1300125
4	R10, 11, 15, 16	RES. 1K 1W 5%	1300125
2	R12, 13	RES. 1K 1/4W 5%	1300125
3	R7, 8, 9	RES. .680 1/4W 5%	1300125
2	R17, 20	RES. .470 1/4W 5%	1300125
8		PIN, SOCKET	1200125
1		PIN HOUSING	1200125
2	D11, 12	DIODE ZENER 1N758A 10V, 1/4W 5%	1100125
2	D25, 26	DIODE D752	1100125
18	D1, 10, 11, 17, 19, 20, 23, 24	DIODE D672	1100125
5	D13, 18, 21, 22, 27	DIODE 1N4001	1100125
2	C1, 5	CAP. 0.22UF 100V 10% NPLR	1000037
2	C2, 3	CAP. 0.47UF 35V 10% S-TANT	1000045
1	C4	CAP. 50UF 50V -10-75% S-TANT	1000080
1		ETCHED CIRCUIT BOARD	9000000
		MODULE ECO HISTORY	9-10-68-0-0
		ETCH/BOARD, MOTOR CONT	4-14-68-0-0
		X-Y COORDINATE HOLE LOCATION	4-08-68-0-0
		DESCRIPTION	ENC PART NO.

REV. 1	DATE 12-2-69	DESIGNED BY A. RITCEY	DATE 12-2-69	TRANSISTOR & DIODE CONVERSION CHART	DATE 12-2-69	TITLE MOTOR CONTROL
REV. 2	DATE 2-4-69	DESIGNED BY R. TREMBLAY	DATE 2-4-69	2N4920 SAME D672 1N4001	DATE 2-4-69	digit
REV. 3	DATE 4-3-70	DESIGNED BY E. LUTTIG	DATE 4-3-70	2N4923 SAME D725 1N758A 10V SAME	DATE 4-3-70	EQUIPMENT CORPORATION
REV. 4	DATE	DESIGNED BY	DATE	2N3791 SAME 1N4001 SAME	DATE	PRINTED CIRCUIT REV.