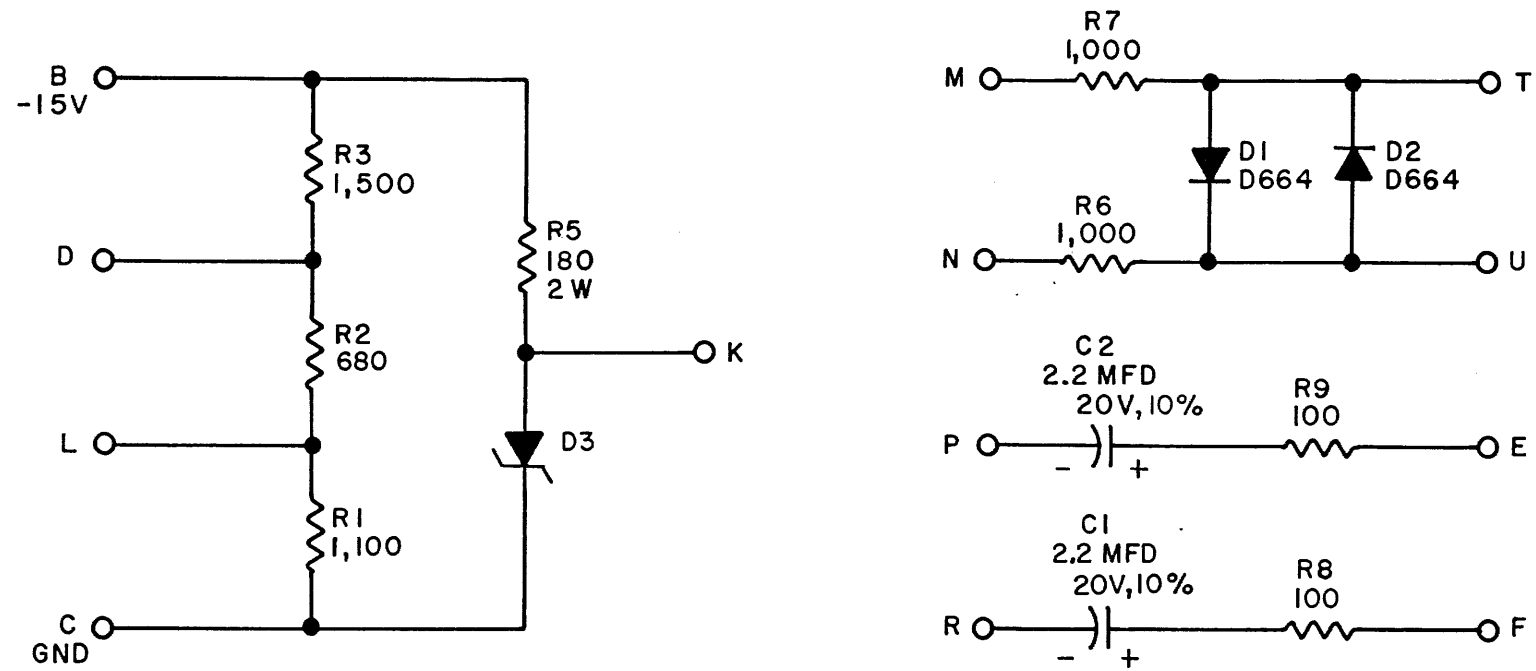
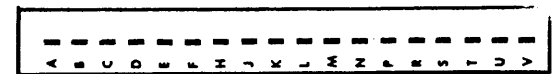


THIS SCHEMATIC IS FURNISHED ONLY FOR TEST AND MAINTENANCE PURPOSES. THE CIRCUITS ARE PROPRIETARY IN NATURE AND SHOULD BE TREATED ACCORDINGLY. COPYRIGHT 1967 BY DIGITAL EQUIPMENT CORPORATION

REV. A  
NUMBER 1-0-2989  
SIZE CODE B CS  
G853-0-1



UNLESS OTHERWISE INDICATED:  
RESISTORS ARE 1/4W, 5%  
D3= IN758A



REVISIONS	CHK	CHG NO.	REV.		DRN.	DATE	TRANSISTOR & DIODE CONVERSION CHART				 EQUIPMENT CORPORATION MAYNARD, MASSACHUSETTS	TITLE		
		00001	A		<i>m. Waller</i>	7-5-67	DEC	EIA	DEC	EIA		MOTION & SELECTION CIRCUIT G853		
					CHK'D	DATE	D664	IN3606			SIZE	CODE	NUMBER	REV.
					ENG.	DATE	IN758A	SAME			B	CS	G853-0-1	A
					PROD.	DATE					PRINTED CIRCUIT REV.			



Σ

Dist 324,434,4 13

PINK