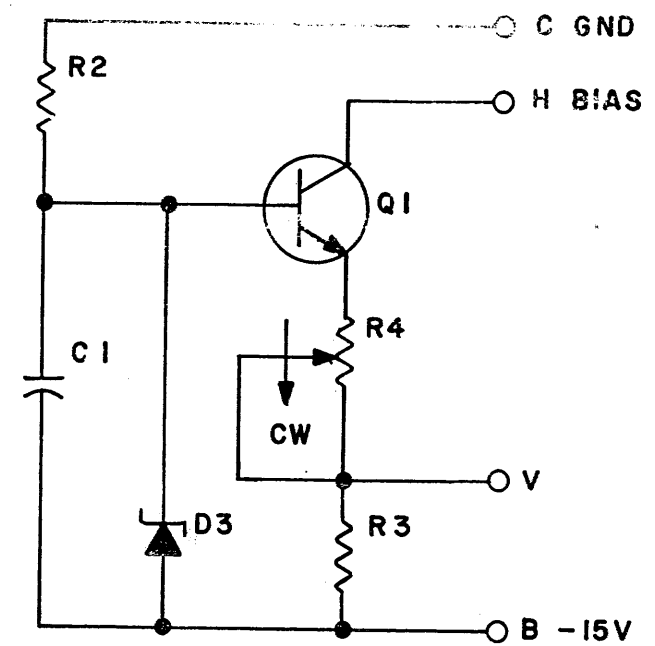
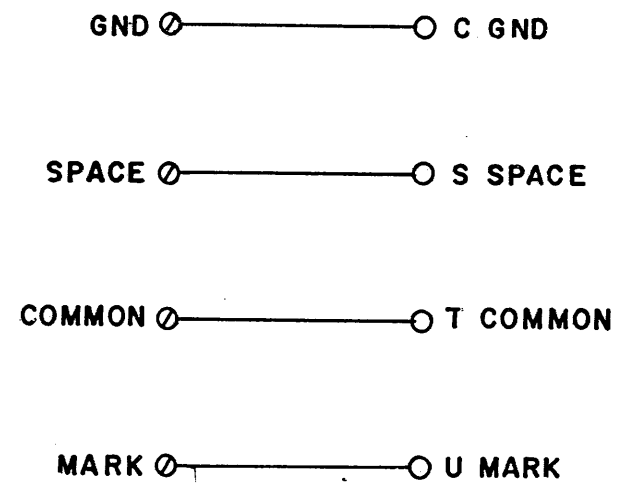
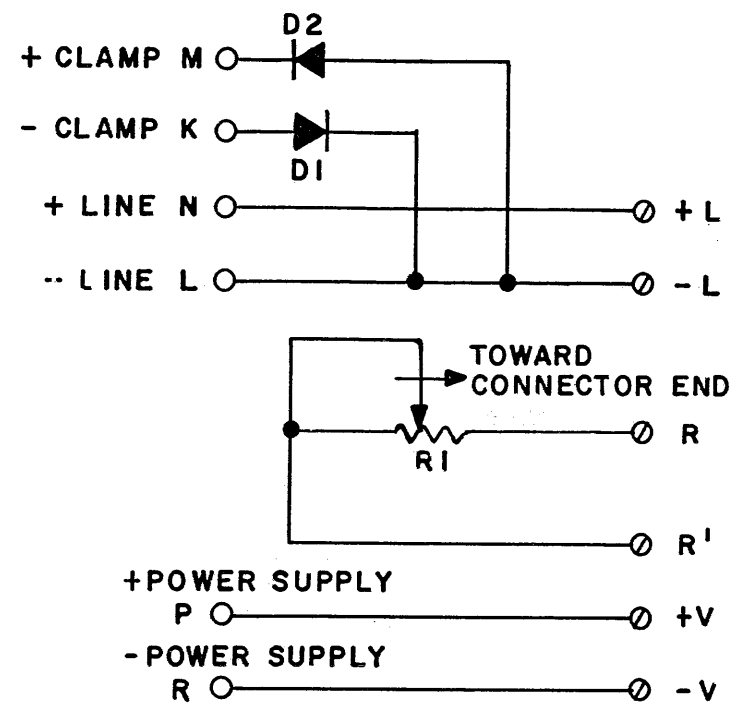


THIS SCHEMATIC IS FURNISHED ONLY FOR TEST AND MAINTENANCE PURPOSES. THE CIRCUITS ARE PROPRIETARY IN NATURE AND SHOULD BE TREATED ACCORDINGLY. COPYRIGHT 1967 BY DIGITAL EQUIPMENT CORPORATION



Ø SPLIT LUG

Q1	TRANSISTOR DEC2219A OR DEC2219B	1501881 1501883
R4	RES. 2K 1W #275P	1305392
R3	RES. 100 2W 10% CC	1300233
R2	RES. 680 1/4W 10% CC	1300350
R1	RES. 6K 40W IRC FRWA 2I	1309116
D3	DIODE IN4736A	1103340
D1, D2	DIODE IN2071	1105340
C1	CAP. .01MFD 100V 20% DISC	1001610
	PARTS LIST	A-PL-G854-0-0
REFERENCE DESIGNATION	DESCRIPTION	PART NO.

REVISIONS	CHK	CHG NO	REV
		6695	A
		7023	B

DRN.	<i>M. Waller</i>	DATE	9-22-67
CHK'D		DATE	
ENG.	<i>Alan K...</i>	DATE	11-1-67
PROD.		DATE	

TRANSISTOR & DIODE CONVERSION CHART			
DEC	EIA	DEC	EIA
DEC2219A or B	2N2219		
IN2071	SAME		
IN4736A	SAME		

digital
EQUIPMENT CORPORATION
MAYNARD, MASSACHUSETTS

TITLE	TELEGRAPH LINE CIRCUIT G854		
SIZE	B	CODE	CS
NUMBER	G854-0-1		REV. B
PRINTED CIRCUIT REV.	A		