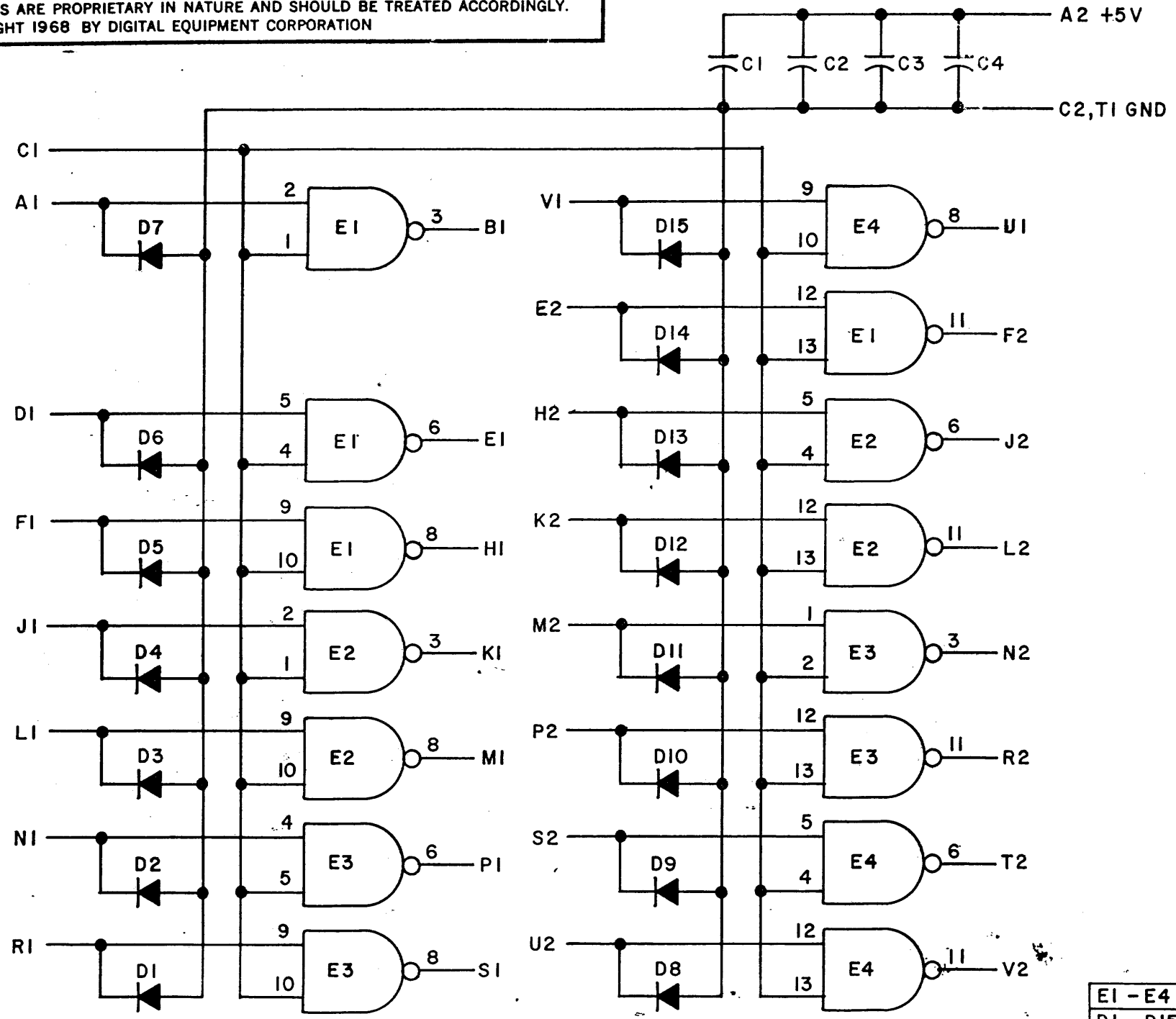


THIS SCHEMATIC IS FURNISHED ONLY FOR TEST AND MAINTENANCE PURPOSES. THE CIRCUITS ARE PROPRIETARY IN NATURE AND SHOULD BE TREATED ACCORDINGLY. COPYRIGHT 1968 BY DIGITAL EQUIPMENT CORPORATION



|                       |                           |               |
|-----------------------|---------------------------|---------------|
| E1 - E4               | INTEGRATED CKT. DEC7400N  | 1905575       |
| D1 - D15              | DIODE D664                | 1100114       |
| C1 - C4               | CAP. .01MFD 100V 20% DISC | 1001610       |
|                       | PARTS LIST                | A-PL-M101-0-0 |
| REFERENCE DESIGNATION | DESCRIPTION               | PART NO.      |

|  |   |                                     |               |   |                                      |                        |
|--|---|-------------------------------------|---------------|---|--------------------------------------|------------------------|
| REVISIONS<br>CHK CHG NO. REV. B<br>00001 B | DRN. <i>M. Keller</i><br>DATE 8-5-68        | TRANSISTOR & DIODE CONVERSION CHART |               |   | TITLE<br>BUS DATA INTERFACE M101     |                        |
|  | CHK'D <i>M. Keller</i><br>DATE 3-6-68       | DEC<br>D664                         | EIA<br>IN3606 |   | SIZE B<br>CODE CS<br>NUMBER M101-0-1 | PRINTED CIRCUIT REV. A |
|  | ENG. <i>J. T. O'Connell</i><br>DATE 9/16/68 |                                     |               | EQUIPMENT CORPORATION<br>MAYNARD, MASSACHUSETTS | DIST. 324   437   435 <sup>2</sup>   |                        |
|  | PROD. DATE                                  |                                     |               | 4 PINK  |                                      |                        |