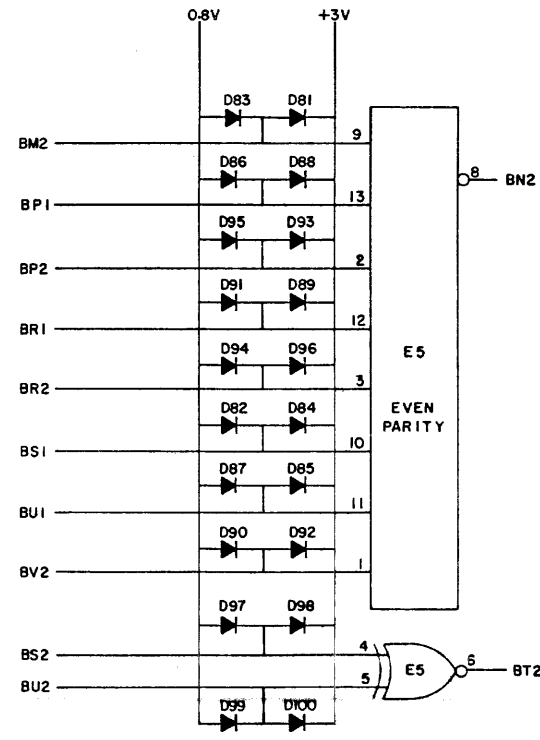
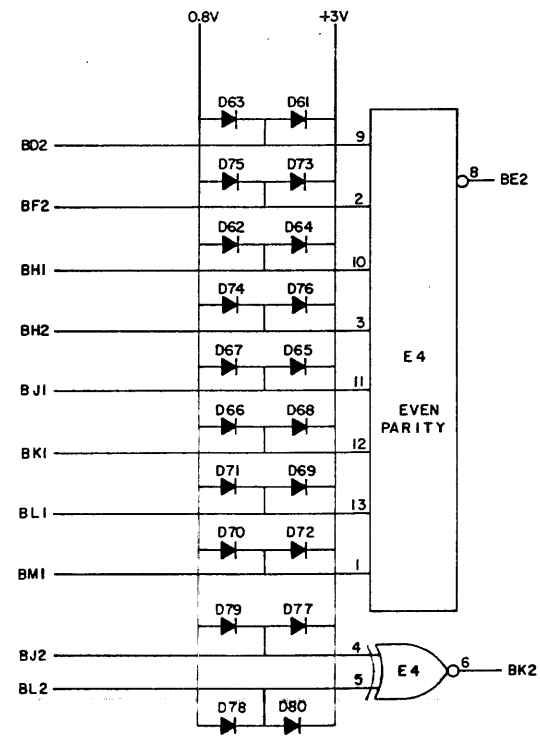
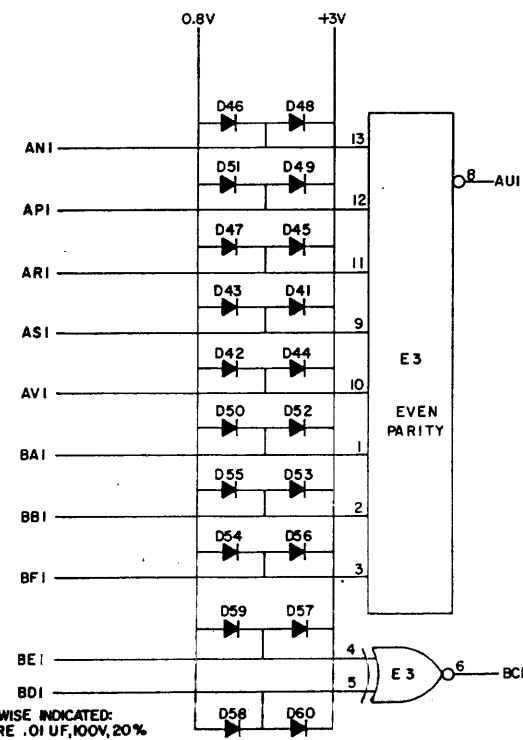
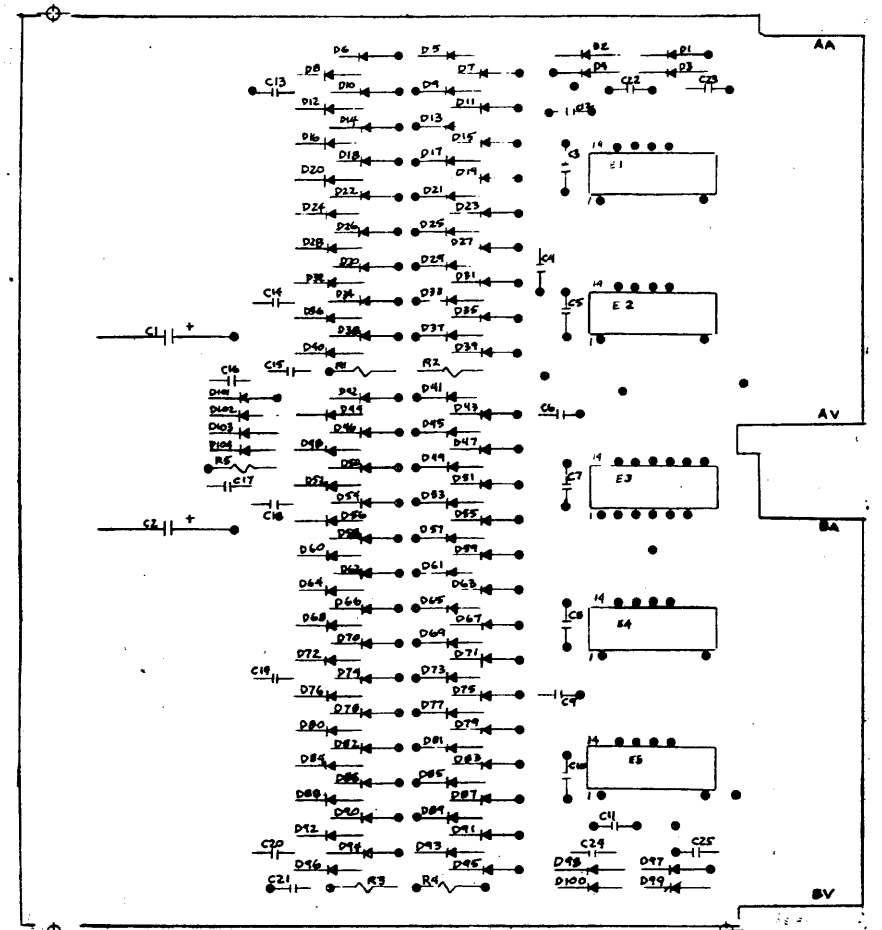
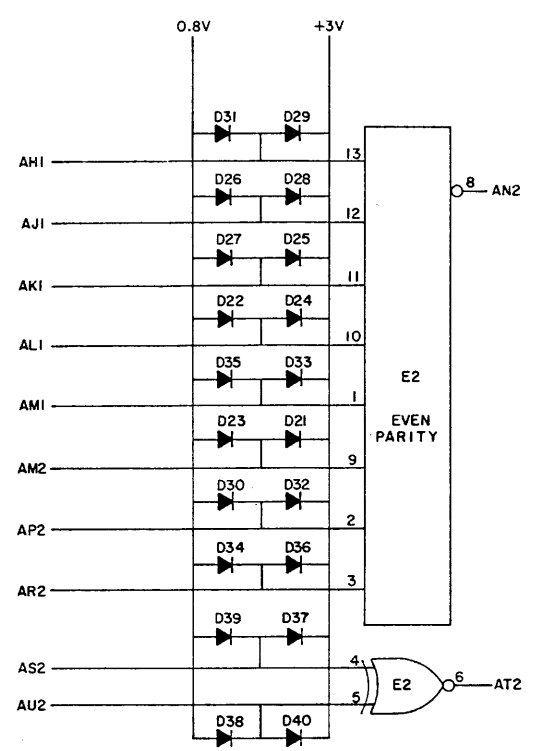
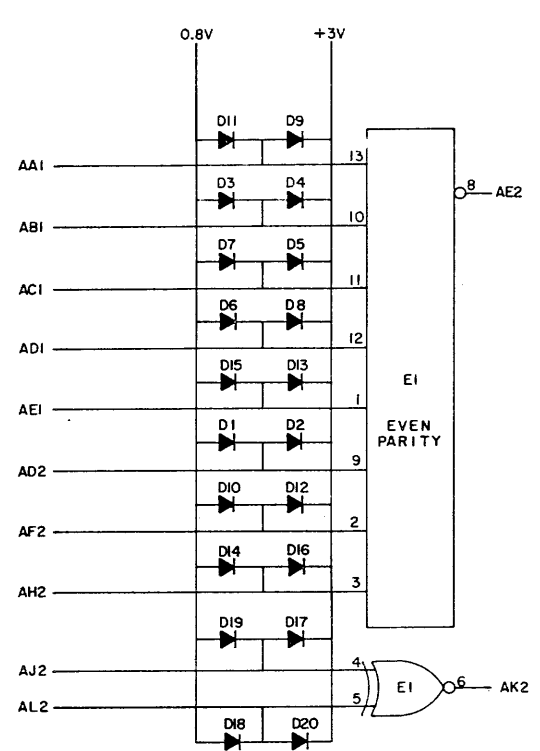
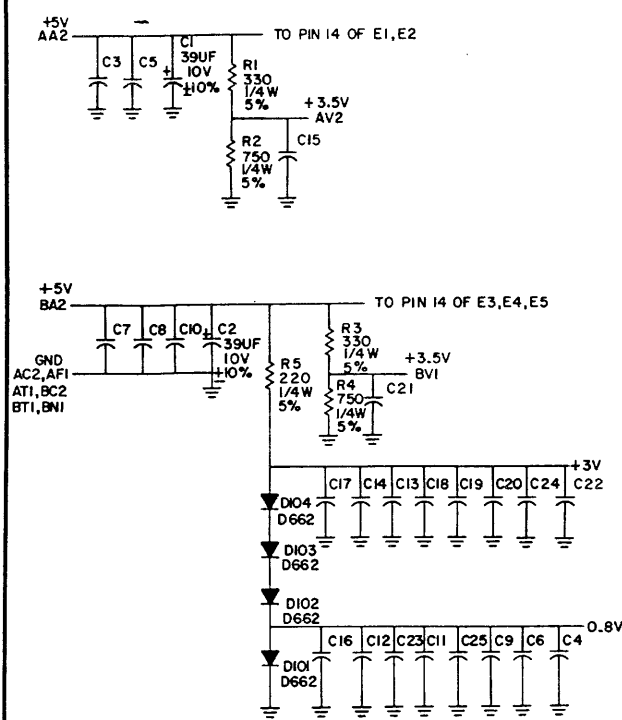


THIS SCHEMATIC IS FURNISHED ONLY FOR TEST AND MAINTENANCE PURPOSES. THE CIRCUITS ARE PROPRIETARY IN NATURE AND SHOULD BE TREATED ACCORDINGLY. COPYRIGHT 19 BY DIGITAL EQUIPMENT CORPORATION



UNLESS OTHERWISE INDICATED:
CAPACITORS ARE .01 UF, 100V, 20%
DIODES ARE D664
IC'S ARE DEC 4008P
PIN 7 = GND
PIN 14 = +5V ON ALL IC'S

ITEM NO.	QTY	DESCRIPTION
14	2	9008337-06 HANDLE, FLIP CHIP - MAGENTA
13	4	9006732 EYELET WGS 4-7
12	5	1910270 I.C. DEC4008P
11	2	1301401 RES. 750, 1/4W, 5%
10	2	1300295 RES. 330, 1/4W, 5%
9	1	1300271 RES. 220, 1/4W, 5%
8	100	11-0114 DIODE D664
7	4	1100113 DIODE D662
6	23	1001610 CAP. .01UF, 100V, 20%
5	2	1000076 CAP. 39UF, 10V, 10% S. TANT
4	1	5009373 ETCHED CIRCUIT BOARD
3		B-MH-1130-0-6 MODULE ECO HISTORY
2		D-AH-1130-0-5 ASSY/DRILLING HOLE LAYOUT
1		K-CC-1130-C-4 X-Y COORDINATE HOLE LOCATION
		DEC PART NO.

REV	DATE	BY	CHKD
1	12/12/76	W. J.

TRANSISTOR & DIODE CONVERSION CHART			
DATE	BY	DATE	BY
DEC 66	IN 3608	DEC 66	...
DEC 68	IN 3608	DEC 68	...

digital EQUIPMENT CORPORATION
PARITY CHECKERS AND GATES MI30
 DCS MI30-0-1
 PRINTED CIRCUIT REV. C