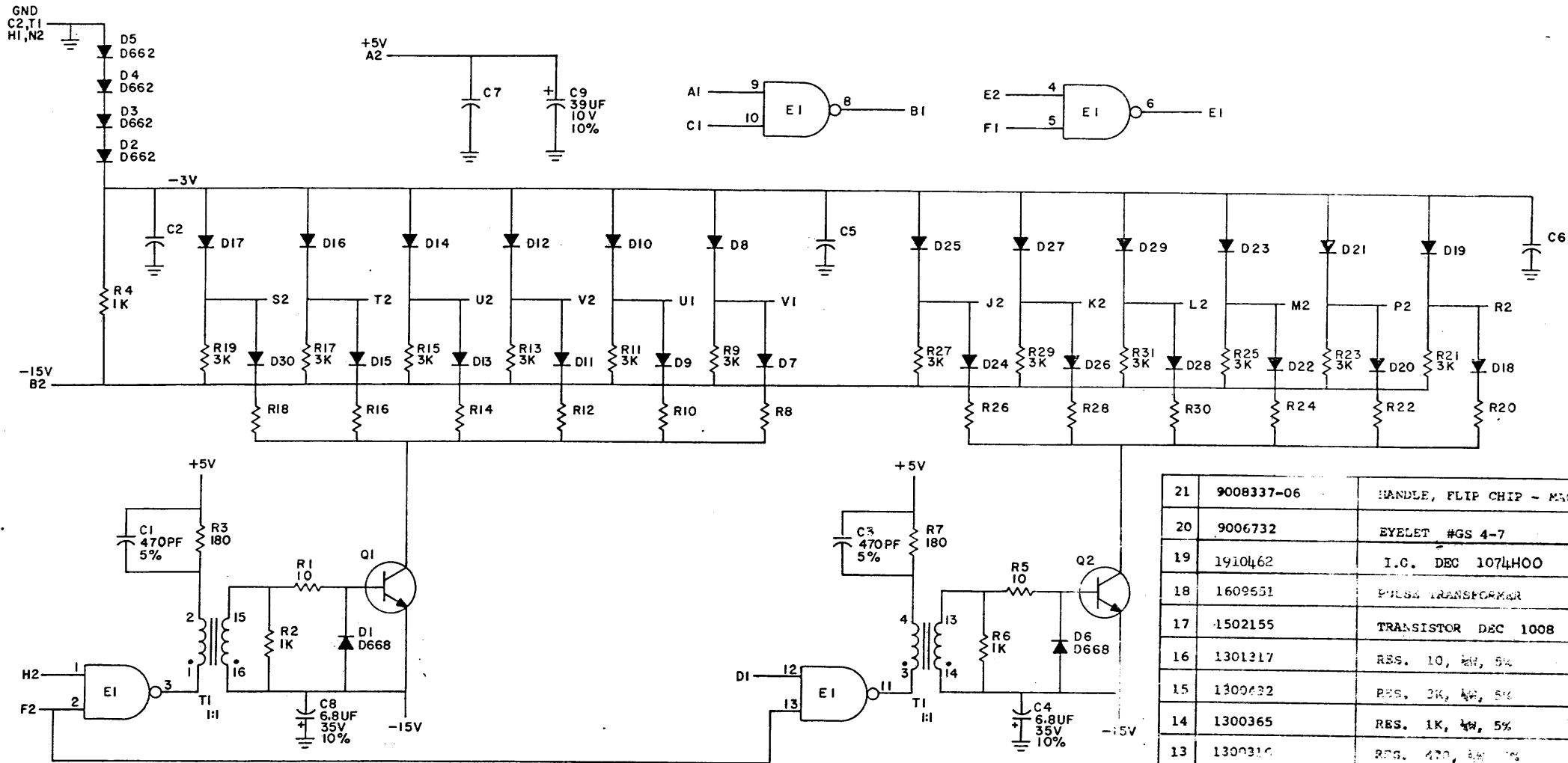
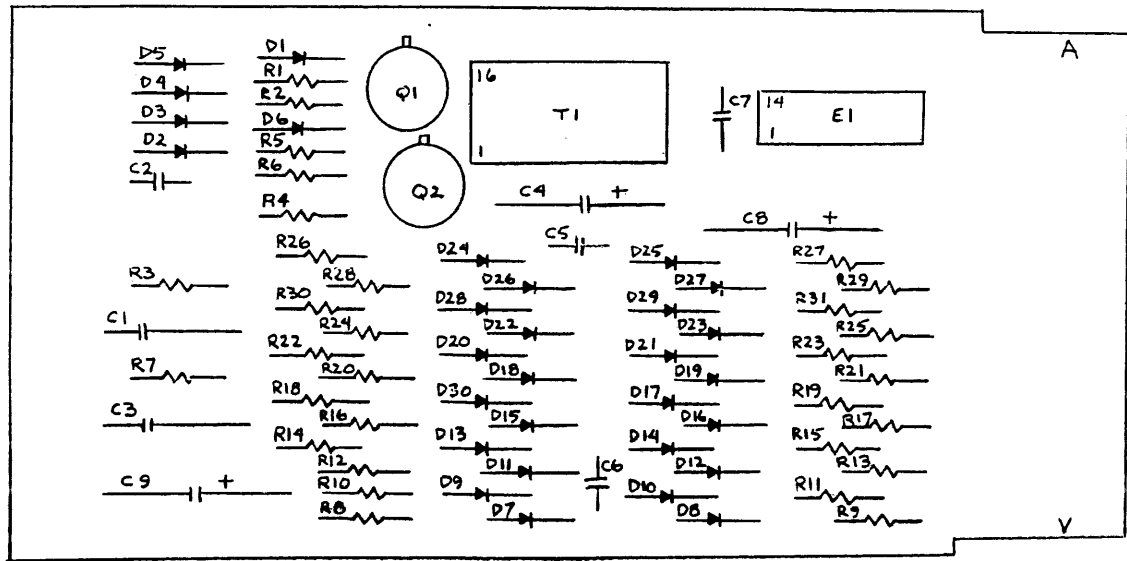


THIS SCHEMATIC IS FURNISHED ONLY FOR TEST AND MAINTENANCE PURPOSES. THE CIRCUITS ARE PROPRIETARY IN NATURE AND SHOULD BE TREATED ACCORDINGLY. COPYRIGHT 1970 BY DIGITAL EQUIPMENT CORPORATION



UNLESS OTHERWISE INDICATED:  
 RESISTORS ARE 470, 1/4W, 5%  
 CAPACITORS ARE .01UF, 100V, 20%  
 TRANSISTORS ARE DEC1008  
 DIODES ARE D664  
 T1 IS T20 PULSE TRANSFORMER 1609651  
 E1 IS DEC1074H00  
 PIN 7 = GND  
 PIN 14 = +5V



ITEM NO.	DEC PART NO.	DESCRIPTION	QTY
21	9008337-06	HANDLE, FLIP CHIP - MACERRA	1
20	9006732	EYELET #GS 4-7	2
19	1910462	I.C. DEC 1074H00	1
18	1609551	PULSE TRANSFORMER	1
17	1502155	TRANSISTOR DEC 1008	2
16	1301217	RES. 10, 1/4W, 5%	2
15	1300432	RES. 2K, 1/4W, 5%	12
14	1300365	RES. 1K, 1/4W, 5%	3
13	1300310	RES. 470, 1/4W, 5%	12
12	1301322	RES. 180, 1/4W, 5%	2
11	1102161	DIODE D668	2
10	1100114	DIODE D664	2
9	1100113	DIODE D662	2
8	1005306	CAP. 6.8UF, 35V, 10%	2
7	1001610	CAP. .01UF, 100V, 20%	2
6	1000076	CAP. 39UF, 10V, 10% TANT	2
5	1000024	CAP. 470PF, 100V, 5%	2
4	5009288	ETCHED CIRCUIT BOARD	1
3	B-MH-M666-0-6	MODULE ECO HISTORY	
2	C-AH-M666-0-5	ACS/DRIVING HOLE LAYOUT	
1	K-CC-M666-0-4	X-Y COORDINATE HOLE LOCATION	

<b>REVISIONS</b> CHG NO. REV 001 D 002 E	DRN: <i>A. Cooper</i> DATE: 11/20/70 CHK'D: <i>FA. M.</i> DATE: 1-19-71 ENG: <i>E. Sullivan</i> DATE: 1/19/71 PROD:	* 2 (TWO) IN 3606 IN SERIES <b>TRANSISTOR &amp; DIODE CONVERSION CHART</b> <table border="1"> <thead> <tr> <th>DEC</th> <th>EIA</th> </tr> </thead> <tbody> <tr> <td>D664</td> <td>IN 3606</td> </tr> <tr> <td>D662</td> <td>IN 645</td> </tr> <tr> <td>D668</td> <td>D668 *</td> </tr> </tbody> </table>	DEC	EIA	D664	IN 3606	D662	IN 645	D668	D668 *	<b>digital</b> <b>EQUIPMENT CORPORATION</b> MAYNARD, MASSACHUSETTS	TITLE <b>I.O. BUS RESET MG66</b> SIZE: C CODE: CS NUMBER: M666-0-1 PRINTED CIRCUIT REV: C	REV: E
DEC	EIA												
D664	IN 3606												
D662	IN 645												
D668	D668 *												