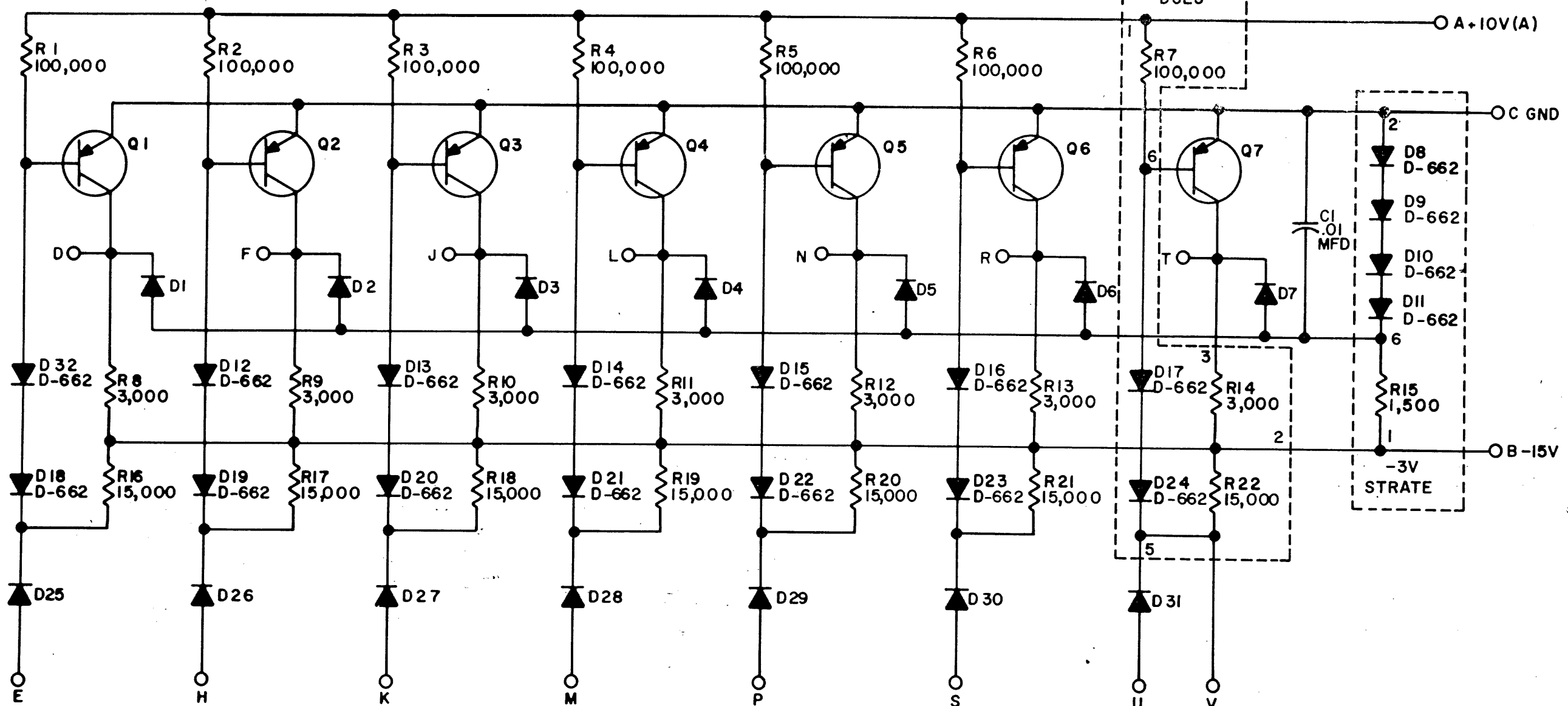


THIS SCHEMATIC IS FURNISHED ONLY FOR TEST AND MAINTENANCE PURPOSES. THE CIRCUITS ARE PROPRIETARY IN NATURE AND SHOULD BE TREATED ACCORDINGLY. COPYRIGHT 1965 BY DIGITAL EQUIPMENT CORPORATION



UNLESS OTHERWISE INDICATED:  
 RESISTORS ARE 1/4W;5%  
 DIODES ARE D-664  
 TRANSISTORS ARE DEC 3639B  
 PRINTED CIRCUIT REV. FOR  
 DGL BOARD IS SIA

USE THE ETCH BOARD OF THE R107



PARTS LIST A-PL-SI07-0-0

REVISIONS	CHK CHG NO. REV.	B	C	D	E	DRN. I HAHN	DATE	TRANSISTOR & DIODE CONVERSION CHART				TITLE INVERTER SI07			
	REV. & REDR.						6-11-65	DEC	EIA	DEC	EIA		SIZE	CODE	NUMBER
	5384					CHK'D	6-18-65	DEC 3639B	2N3639			B	CS	SI07-0-1	E
	5458					ENG.	6-18-65	D662	IN645						
	6857					R SOGGE		D664	IN3606						
	KWB 00001					PROD.									
	WAKY MOLE														
	D. BAKER														



EQUIPMENT CORPORATION  
MAYNARD, MASSACHUSETTS

PRINTED CIRCUIT REV. E

324 434 433