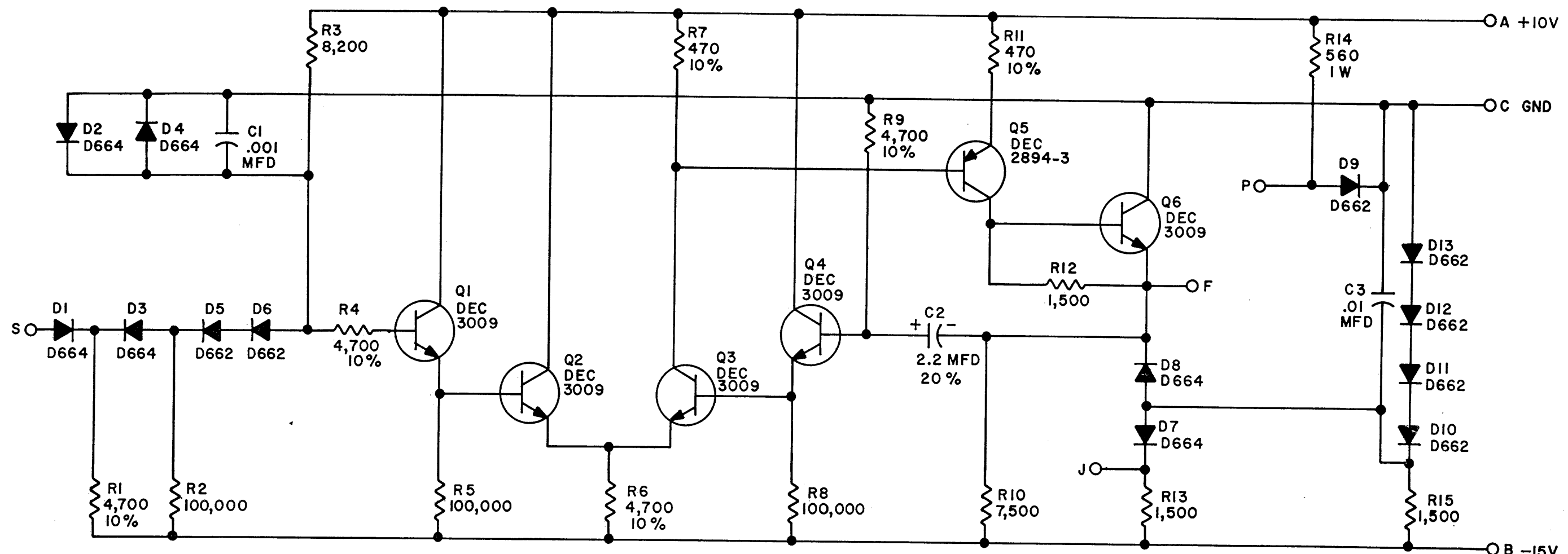


THIS SCHEMATIC IS FURNISHED ONLY FOR TEST AND MAINTENANCE PURPOSES. THE CIRCUITS ARE PROPRIETARY IN NATURE AND SHOULD BE TREATED ACCORDINGLY. COPYRIGHT 1966 BY DIGITAL EQUIPMENT CORPORATION



UNLESS OTHERWISE INDICATED:
RESISTORS ARE 1/4W, 5%



REVISIONS CHK CHG NO REV.	DRN: <i>The engineer</i>	DATE: <i>5/11/66</i>	TRANSISTOR & DIODE CONVERSION CHART		digital EQUIPMENT CORPORATION MAYNARD, MASSACHUSETTS	TITLE INITIAL TRANSIENT DETECTOR W504			
	CHK'D: <i>A. Sel...</i>	DATE: <i>5/11/66</i>	DEC	EIA		SIZE B	CODE CS	NUMBER W504-0-1	REV.
	ENG: <i>White</i>	DATE: <i>5/11/66</i>	DEC 2894-3	NONE					
	PROD.	DATE	DEC 3009	2N3009					
			D662	IN645					
			D664	IN3606					
DEC FORM NO. DRB 102						PRINTED CIRCUIT REV. A			

