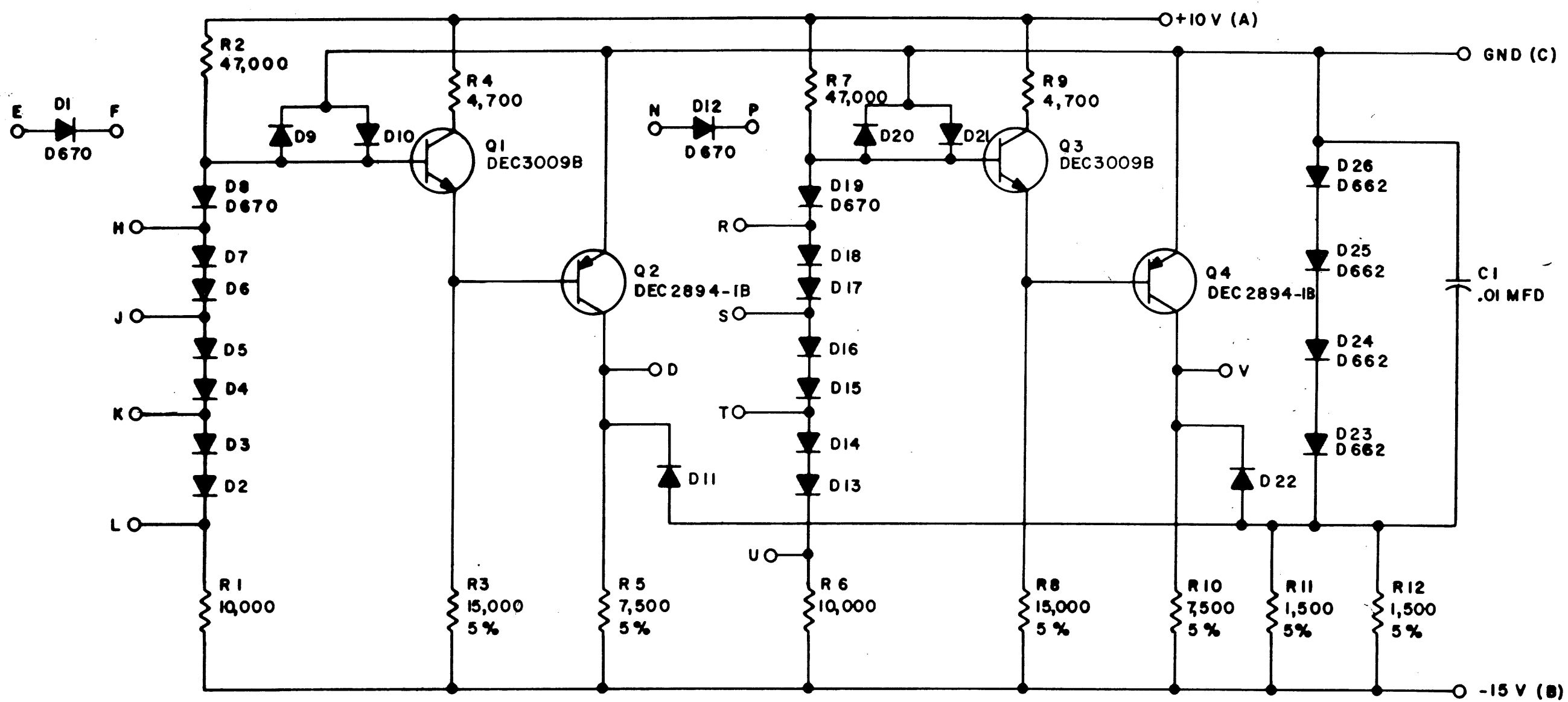


THIS SCHEMATIC IS FURNISHED ONLY FOR TEST AND MAINTENANCE PURPOSES. THE CIRCUITS ARE PROPRIETARY IN NATURE AND SHOULD BE TREATED ACCORDINGLY. COPYRIGHT 1965 BY DIGITAL EQUIPMENT CORPORATION



UNLESS OTHERWISE INDICATED:
RESISTORS ARE 1/4 W 10%
DIODES ARE D-664

PARTS LIST IS A-PL-W511-0-0



REVISIONS CHK CHG NO. REV. REV. REDR 5744 A 7039 B	DRN. I. HAHN	DATE 2-10-65	TRANSISTOR & DIODE CONVERSION CHART		digital EQUIPMENT CORPORATION MAYNARD, MASSACHUSETTS	TITLE NEGATIVE LEVEL CONVERTER W511			
	CHK'D N. PERRYMAN	DATE 2-16-65	DEC	EIA		SIZE B	CODE CS	NUMBER W511-0-1	REV. B
	ENG. D. O'CONNOR	DATE 2-16-65	D-662	1N645					
	PROD.	DATE	D-664	1N3606					
			D-670	1N3653					
			DEC3009B	2N3009					
			DEC2894-1B	NONE					