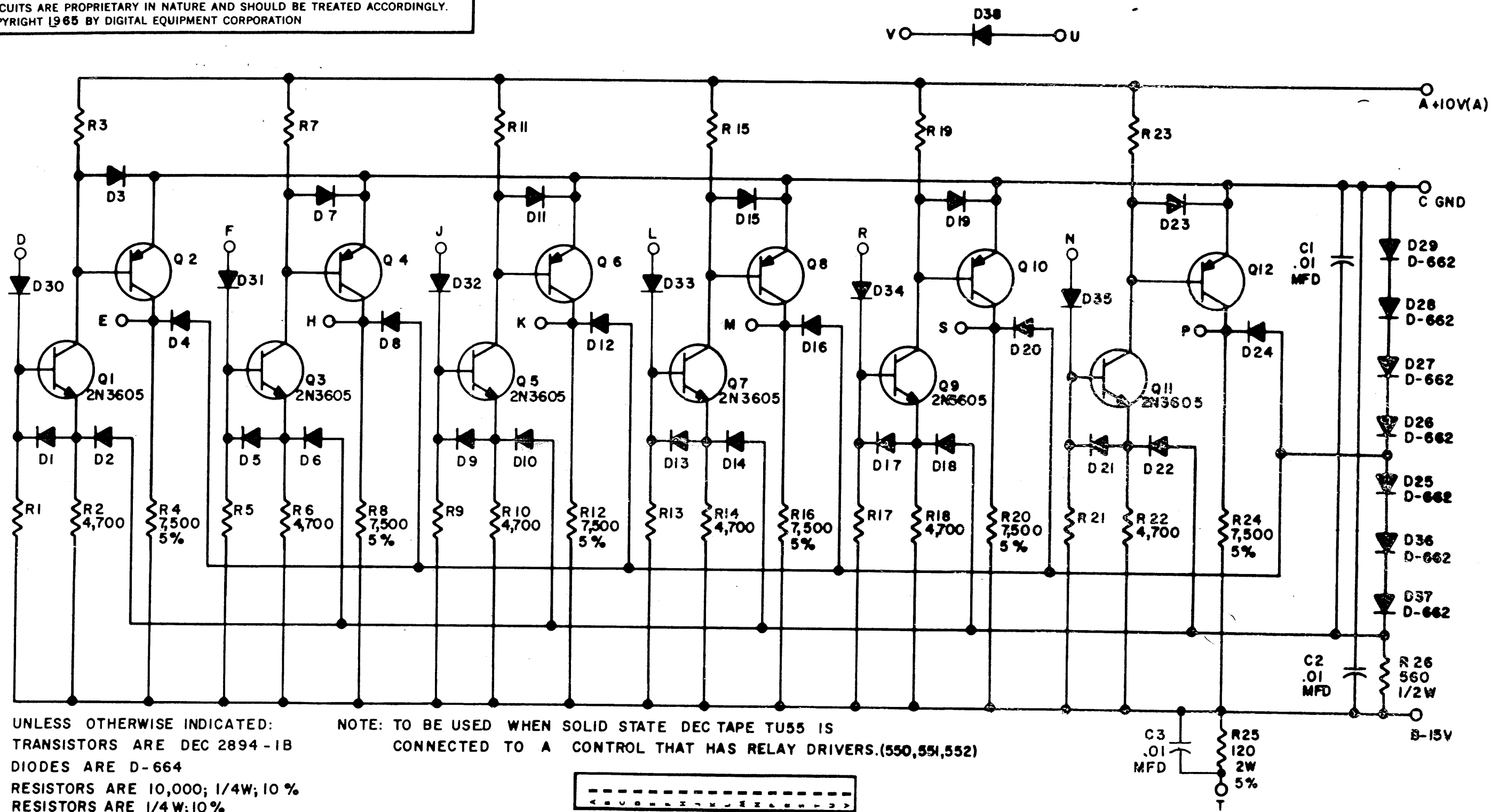


THIS SCHEMATIC IS FURNISHED ONLY FOR TEST AND MAINTENANCE PURPOSES. THE CIRCUITS ARE PROPRIETARY IN NATURE AND SHOULD BE TREATED ACCORDINGLY. COPYRIGHT 1965 BY DIGITAL EQUIPMENT CORPORATION



UNLESS OTHERWISE INDICATED:  
 TRANSISTORS ARE DEC 2894-1B  
 DIODES ARE D-664  
 RESISTORS ARE 10,000; 1/4W; 10 %  
 RESISTORS ARE 1/4W; 10 %

NOTE: TO BE USED WHEN SOLID STATE DEC TAPE TU55 IS  
 CONNECTED TO A CONTROL THAT HAS RELAY DRIVERS.(550,551,552)



REVISONS	CHK	CHG NO.	REV.
4	DAW	5282	
E	REV	5727	
	REV	5741	

DRN. I. HAHN	DATE 5-27-65
CHK'D R. SILVERMAN	DATE 6-4-65
ENG. D. WARDIMON	DATE 6-5-65
PROD.	DATE

TRANSISTOR & DIODE CONVERSION CHART			
DEC	EIA	DEC	EIA
DEC 2894-1B	NONE		
2N3605	SAME		
D662	1N645		
D664	1N3606		

**digital**  
 EQUIPMENT CORPORATION  
 MAYNARD, MASSACHUSETTS

TITLE LEVEL AMPLIFIER W513			
SIZE B	CODE CS	NUMBER W513-0-1	REV. E
PRINTED CIRCUIT REV.			F