

THIS DRAWING AND THE SPECIFICATIONS CONTAINED HEREIN ARE CONFIDENTIAL AND PROPRIETARY. THEY ARE THE PROPERTY OF DIGITAL EQUIPMENT CORPORATION AND SHALL NOT BE REPRODUCED OR COPIED OR USED IN WHOLE OR IN PART AS THE BASIS FOR MANUFACTURING OR SALE OF ITEMS WITHOUT WRITTEN PERMISSION. THIS IS AN UNPUBLISHED WORK PROTECTED UNDER THE FEDERAL COPYRIGHT LAWS.

FIELD MAINTENANCE PRINT SET

TABLE OF CONTENTS

B-TC-VT220-A-1 FIELD MAINTENANCE PRINT SET
D-UA-VT220-A-0 TOUCH 220
K-PL-VT220-A-DBP PARTS LIST
B-DB-VT220-0 VT220 UNIT ASSY
E-AD-VT220-U-0 MONITOR ASSY, TOUCHSCREEN
K-PL-VT220-U-DBP PARTS LIST
K-PL-VT22X-C-DBP TOUCH SCREEN TERMINAL INTERFACE MODULE
D-UA-7022439-0-J CRT & YOKE ASSY W/TOUCHSCREEN
K-PL-7022439-0-JBP PARTS LIST
D-AJ-7022442-0-J TOUCH TCB ASSY
K-PL-7022442-0-JBP PARTS LIST
D-IA-7022422-0-J ADAPTER CABLE, INTERNAL
K-PL-7022422-0-JBP PARTS LIST
D-IA-7020772-0-J FBT ASSY
K-PL-7020772-0-JBP PARTS LIST
D-AJ-7020624-0-J PCB BEZEL ASSY
K-PL-7020624-0-JBP PARTS LIST
E-UA-7023229-0-J TTI CONTROLLER BOX
K-PL-7023229-0-JBP PARTS LIST
C-IA-7021476-0-JBU SHORTING PLUG ASSY
K-PL-7021476-0-JBP PARTS LIST
K-PL-BCC04-0-DBP MODEM CABLE
K-PL-BCC05-0-DBP PRINTER CABLE
K-PL-BCC01-0-DBP KEYBOARD CABLE
D-UA-5416327-1-0 TOUCH TERM INTERFACE
D-CS-5416327-1-1 TOUCH TERM INTERFACE (CIRCUIT SCHEMATIC)
K-PL-5416327-1-0BP PARTS LIST

UNIT VARIATIONS COVERED BY THIS PRINT SET

VT220-A4

VT220-A

FIELD MAINTENANCE PRINT SET

DIGITAL EQUIPMENT CORPORATION

PRINT SET ORDER NO.

MP-01687-01 REV A1

REVISION HISTORY

CONT. REVISION HISTORY

MADE BY: PAUL J COVIELLO
DATE: 21-OCT-1985

d i g i t a l

REV | ECD NUMBER | DATE

REV | ECD NUMBER | DATE

CHECKED BY: P. CHARBONNEAU
DATE: 1-6-86

TITLE: FIELD MAINTENANCE PRINT SET

A | INITIAL | 10-JAN-86

PROJECT ENGR: D. DAUGUSTA
DATE: 1-6-86

TOUCH 220

RSPBLE ENGR: D. DAUGUSTA
DATE: 1-6-86

FIELD SERV.: G. WEILER
DATE: 1-6-86

SIZE | CODE | DOCUMENT NUMBER | REV.
8 | TC | VT220-A-1 | A

SHEET 1 OF 1

NU

| LINE ITEM | TOP DOCUMENT | PART NUMBER | MIN REV | DESCRIPTION | A4 A1 | QUANTITY PER VARIATION/REVISION |
|-----------|--------------------|-------------|---------|------------------------------------|----------|---------------------------------|
| 1 | 1 E-AD-VT220-U-0 | VT220-UA | | VT220-A2 OR VT220-A3 UPGRADE KIT F | 1 | |
| 2 | 2 K-PL-VT22X-C-DBP | VT22X-CA | | TOUCH SCREEN TERMINAL INTERFACE MO | 1 | |

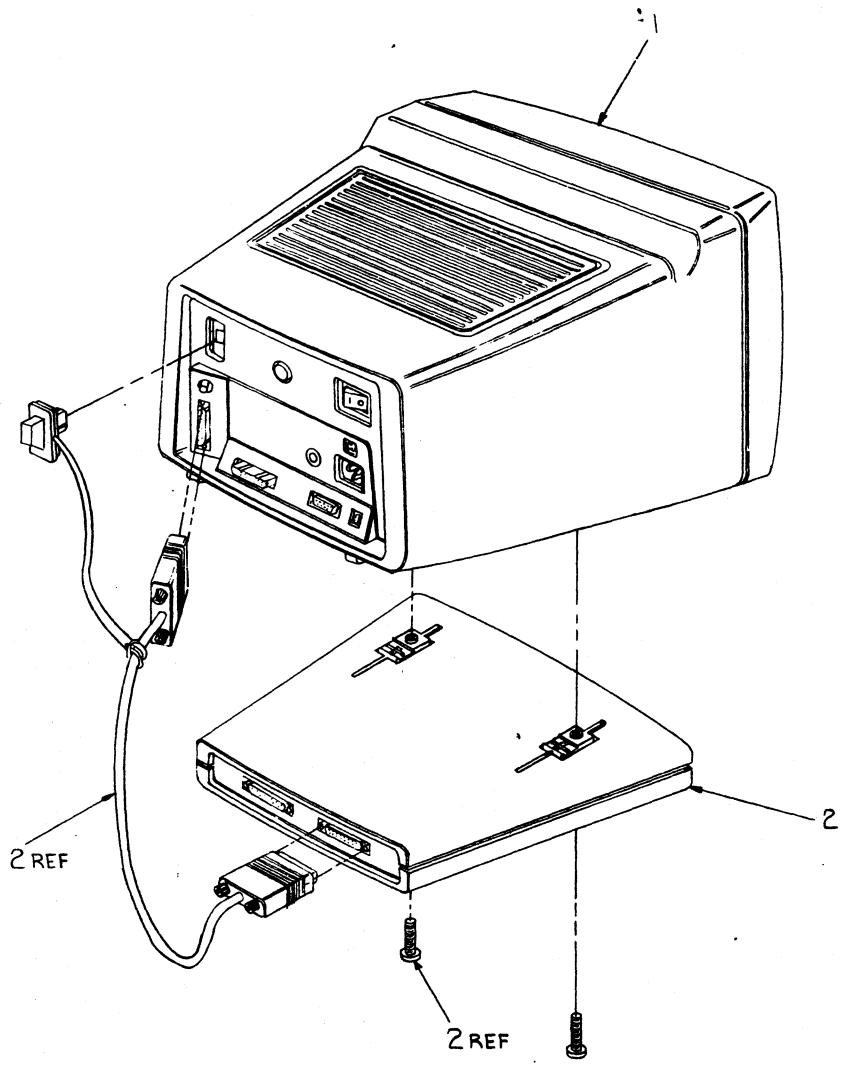
| REVISION HISTORY | | KPL MATRIX FORMAT | | SECTION A OF A1DRN: PAUL J COVIELLO | |
|------------------|------------|-------------------|-------------------------|-------------------------------------|--------------------------|
| ENG | ECD NUMBER | REV | SECTION/VARIATION INDEX | DATE: 23-OCT-85 | D I G I T A L |
| | INITIAL | A | [CA] A4 | CHK'D: P. CHARBONNEAU | TITLE PARTS LIST |
| | | | [CB] | DATE: 23-OCT-85 | TJUCH 220 |
| | | | [CC] | DES.ENG: D. DAUGUSTA | |
| | | | [CD] | DATE: 23-OCT-85 | DOCUMENT NUMBER |
| | | | [CE] | | SIZE/CODE NUMBER REV |
| | | | [CF] | RESP.ENG.: D. DAUGUSTA | |
| | | | [CG] | DATE: 23-OCT-85 | K PL VT220-A-DBP A |
| | | | [CJ] | | |
| | | | | MPG.ENG: A. ELLIS | RELEASE DATE: 10-JAN-86 |
| | | | | DATE: 23-OCT-85 | RELEASE STATUS: RELEASED |
| | | | | | |
| | | | BASIC PART NUMBER: | ASSEMBLY NUMBER: | TOP DOCUMENT NUMBER: |
| | | | VT220 | 10-UA-VT220-A-0 | 10-UA-VT220-A-0 |
| | | | | | FILE NAME: I EDIT # |
| | | | | | 1NUVT220AA.PLS 6 |

THIS DRAWING AND THE SPECIFICATIONS CONTAINED HEREIN ARE CONFIDENTIAL AND PROPRIETARY. THEY ARE THE PROPERTY OF DIGITAL EQUIPMENT CORPORATION AND SHALL NOT BE REPRODUCED OR COPIED OR USED IN WHOLE OR IN PART AS THE BASIS FOR THE MANUFACTURE OR SALE OF ITEMS WITHOUT WRITTEN PERMISSION. THIS IS AN UNPUBLISHED WORK PROTECTED UNDER THE FEDERAL COPYRIGHT LAWS.

*** DOCUMENT CONVERTED TO VAX ***

NU

THIS DRAWING AND SPECIFICATIONS HEREIN ARE THE PROPERTY OF DIGITAL EQUIPMENT CORPORATION AND SHALL NOT BE REPRODUCED OR COPIED OR USED IN WHOLE OR IN PART AS THE BASIS FOR THE MANUFACTURE OR SALE OF ITEMS WITHOUT WRITTEN PERMISSION.
 COPYRIGHT © 1985 DIGITAL EQUIPMENT CORPORATION



SEE OFF SHEET PARTS LIST
 K-PL-VT220-A-DBP

| DESCRIPTION | DRAWING NO. | PART NO. | ITEM NO. | | | | | |
|--|----------------------|--|--|--|--|---|--------------------------------|-----------------|
| UNLESS OTHERWISE SPECIFIED DIMENSIONS ARE IN INCHES AND THE FOLLOWING TOLERANCES APPLY (PER DEC STD 114) | | | | | | | | |
| INCHES TOLERANCES X = ± .1 XX = ± .02 XXX = ± .005 | ANGLES ± 0°30' | APPLICABLE DIMENSION RANGE (CHECK ONE) | DIMENSION RANGE IN INCHES | | | | | |
| | | | OVER 0 TO 12 | OVER 02 TO 12 | OVER 12 TO 40 | OVER 40 TO 120 | OVER 120 TO 400 | OVER 400 TO 800 |
| QUANTITY & VARIATION | SURFACE QUALITY ✓ | <input type="checkbox"/> ± .004 <input type="checkbox"/> ± .008 | <input type="checkbox"/> ± .004 <input type="checkbox"/> ± .008 | <input type="checkbox"/> ± .012 <input type="checkbox"/> ± .016 | <input type="checkbox"/> ± .016 <input type="checkbox"/> ± .024 | <input type="checkbox"/> ± .024 <input type="checkbox"/> ± .04 | <input type="checkbox"/> ± .04 | |
| THIRD ANGLE PROJECTION | DATE 12/1/75 | TITLE TOUCH 220 | | digital | | | | |
| DO NOT SCALE DRAWING | DATE 1/4/76 | REVISIONS | | DOCUMENT NUMBER | | | | |
| REMOVE BURRS AND BREAK SHARP CORNERS | DATE 12/31/85 | MATERIAL | | D UA VT220-A-0 | | | | |
| FINISH | DATE 1/2/86 | TOP DOC. NO. D-UA-VT220-A-0 | | SCALE | SHEET 1 OF 1 | | | |

| REV | ECO NUMBER | DATE |
|-----|------------|------|
| | | |

| DRAWING NO. | NO. OF SHTS. | PART NO. | DESCRIPTION | REVISIONS | | | | | | | | | | | | | | | |
|-----------------|--------------|------------|---|-----------|-----|-----|-----|-----|-----|-----|-----|-----|-----|-----|-----|-----|---|---|--|
| | | | | A | B | C | D | E | F | G | H | I | J | K | L | M | N | O | |
| | | VT220-A | BOUNDED CONVERSATIONAL TEXT TERMINAL, WHT PHOSPHOR, NEEDS VT22K COUNTRY KIT | A1 | A1 | A1 | A1 | A1 | A1 | A2 | A2 | A3 | B1 | | | | | | |
| | | VT220-B | VT220-A EXCEPT GRN PHOSPHOR | A1 | A1 | A1 | A1 | A1 | A1 | A2 | A2 | A3 | B1 | | | | | | |
| | | VT220-C | VT220-A EXCEPT AMBER PHOSPHOR | A1 | A1 | A1 | A1 | A1 | A1 | A2 | A2 | A3 | B1 | | | | | | |
| | | VT220-A2 | VT220-A EXCEPT 120V ONLY | | | | | | | A1 | A2 | B1 | B2 | C1 | | | | | |
| | | VT220-B2 | VT220-B EXCEPT 120V ONLY | | | | | | | A1 | A2 | B1 | B2 | C1 | | | | | |
| | | VT220-C2 | VT220-C EXCEPT 120V ONLY | | | | | | | A1 | A2 | B1 | B2 | C1 | | | | | |
| | | VT220-A3 | VT220-A EXCEPT 240V ONLY | | | | | | | A1 | A2 | B1 | B2 | C1 | | | | | |
| | | VT220-B3 | VT220-B EXCEPT 240V ONLY | | | | | | | A1 | A2 | B1 | B2 | C1 | | | | | |
| | | VT220-C3 | VT220-C EXCEPT 240V ONLY | | | | | | | A1 | A2 | B1 | B2 | C1 | | | | | |
| B-TC-VT220-0-1 | | | FIELD MAINT PRINT SET | A | A | A | A | B | B | B | B | B | B | B | B | B | | | |
| | | MP01732-01 | PRINT SET | REF | REF | REF | REF | REF | REF | REF | REF | REF | REF | REF | REF | REF | | | |
| E-UA-VT220-0-0 | | | UNIT ASSY | A | A | A | A | B | C | D | E | F | | | | | | | |
| K-PL-VT220-DBP | | | PART LIST | A | B | C | D | E | F | G | H | J | | | | | | | |
| A-SP-VT220-0-02 | 555 | | ENGINEERING SPEC | A | B | B | B | C | C | C | C | C | | | | | | | |

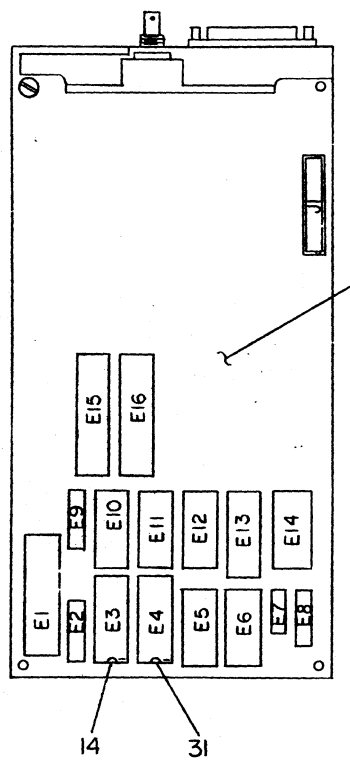
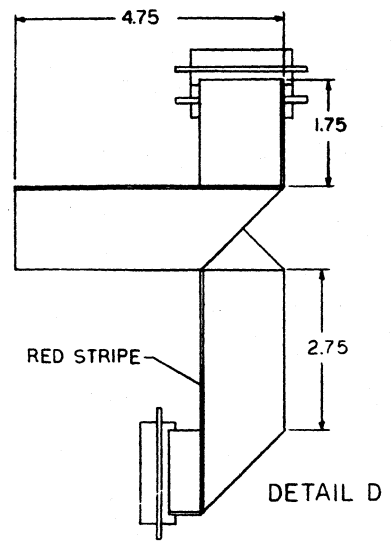
NOTES:

| REVISIONS | | DATE | CHG NO. | REV. |
|-----------|---------|------|---------|------|
| | INT REL | | A | |
| 3-4 | TA-001 | | B | |
| 8-31 | TA-002 | | C | |
| 10-23 | TA-003 | | D | |
| 3-26 | TA006 | | E | |
| 8-85 | TA007 | | F | |
| 9-85 | TA008 | | H | |
| 10-85 | TA009 | | J | |
| 12-85 | TA010 | | K | |

"THIS DRAWING AND SPECIFICATIONS, HEREIN, ARE THE PROPERTY OF DIGITAL EQUIPMENT CORPORATION AND SHALL NOT BE REPRODUCED OR COPIED OR USED IN WHOLE OR IN PART AS THE BASIS FOR THE MANUFACTURE OR SALE OF ITEMS WITHOUT WRITTEN PERMISSION.

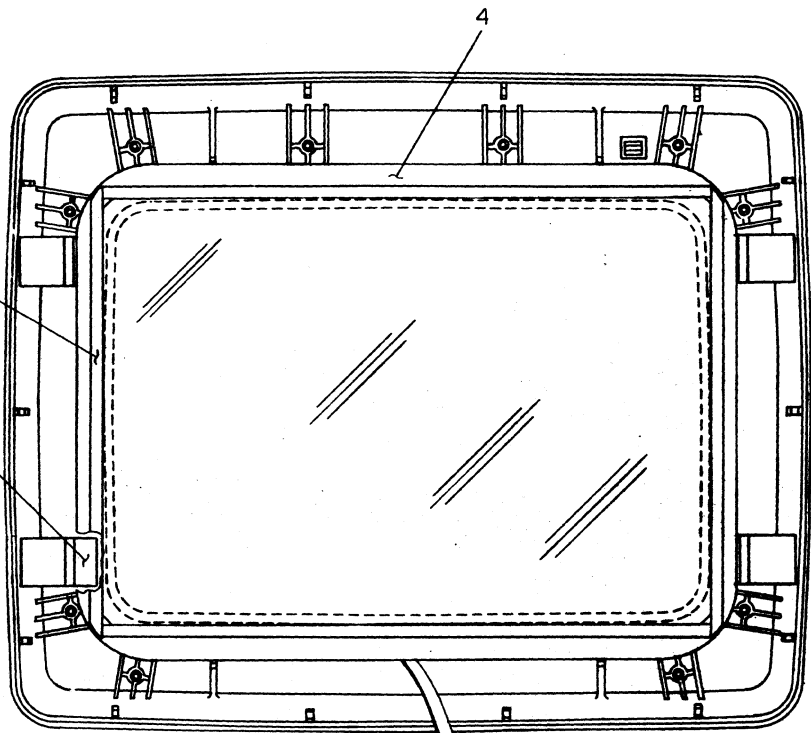


| | | | | | |
|----------------------|--|---------------|---------|-----------------|---------|
| USED ON OPTION/MODEL | | DRN. L. JEAN | 5/20/83 | TITLE | |
| VT220 | | CHK'D L. JEAN | 5/20/83 | VT220 UNIT ASSY | |
| | | ENG. H.T. CHO | 5/20/83 | SIZE B | CODE DD |
| | | PROD. J.A. WU | 8/23/83 | NUMBER | VT220-0 |
| | | | | SHEET 1 OF 1 | RFV. A |



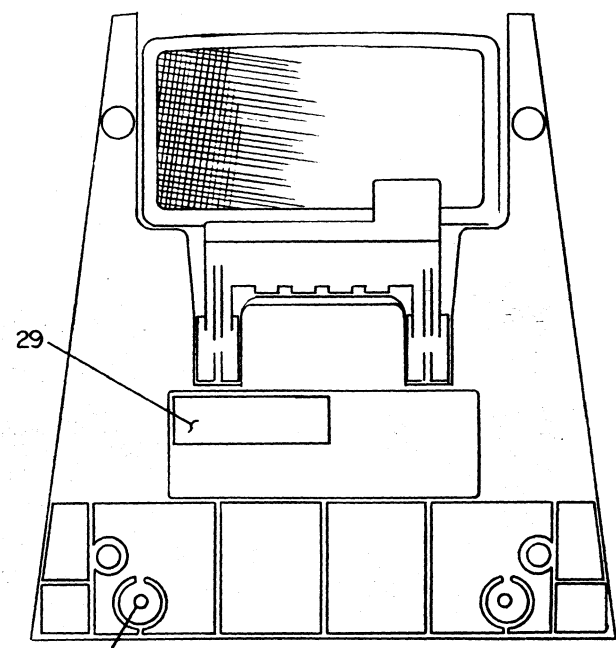
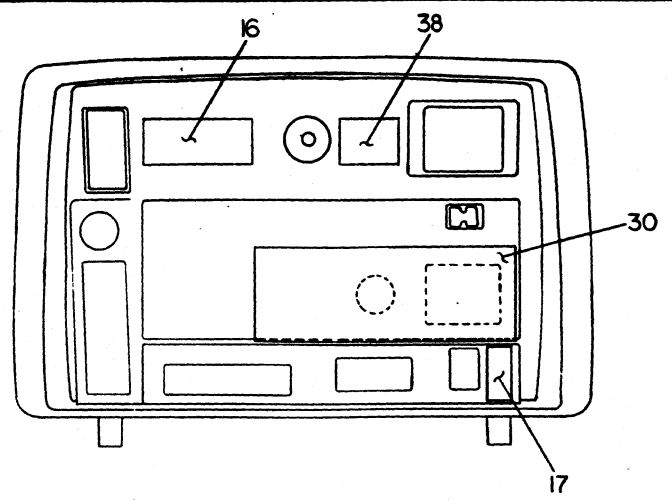
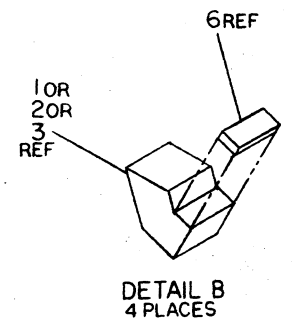
15 REF
37 SEE
NOTE 7

SEE DETAIL B

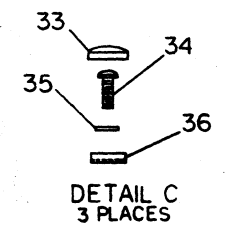


TOP OF UNIT

VIEW A-A
SCALE: FULL
PARTS OMITTED
FOR CLARITY
SEE NOTE 3



SEE DETAIL C



| REV. | ECO NUMBER | DATE |
|------|------------|------|
| | | |

| LINE | ITEM | TOP DOCUMENT | PART NUMBER | NIN REV | DESCRIPTION | QUANTITY PER VARIATION/REVISION | | |
|------|------|----------------|-------------|---------|--------------------------------------|---------------------------------|-------|-------|
| | | | | | | UA A2 | UB A2 | UC A2 |
| 1 | 1 | | VT220-A2 | | VIDEO TERM, WHITE PHOSPHOR, REQ VT22 | 1 | - | - |
| 2 | 2 | | VT220-32 | | VIDEO TERM, GREEN PHOSPHOR, REQ VT22 | - | 1 | - |
| 3 | 3 | | VT220-C2 | | VIDEO TERM, AMBER PHOSPHOR, REQ VT22 | - | - | 1 |
| 4 | 4 | | 30-25076-01 | | TOUCHSCREEN 12" | 1 | 1 | 1 |
| 5 | 5 | | 70-22422-1L | | ADAPTER CABLE INTERNAL | 1 | 1 | 1 |
| 6 | 6 | | 12-25708-01 | | BUMPER, ADH 8K URETH | 4 | 4 | 4 |
| 7 | 7 | SEE GEN NOTE 1 | 90-10025-00 | | GASKET, FOAM NEDPRENE | 31 | 31 | 31 |
| 8 | 8 | | 90-09350-02 | | TIE, CABLE BUNDL DIA 0-4" RELEASE | 1 | 1 | 1 |
| 9 | 9 | | 90-07880-00 | | TIE, CABLE BUNDL DIA 0-1.14"=101 | 2 | 2 | 2 |
| 10 | 10 | | 90-07031-01 | | TIE, CABLE BUNDL DIA 0-1.25" | 2 | 2 | 2 |
| 11 | 11 | | 90-07032-00 | | TIE, CABLE BUNDL DIA 0-1-3/4"=101 | 1 | 1 | 1 |
| 12 | 12 | | 90-09830-05 | | STRAP, GROUND 36AWG STRAND 3" L | REF | REF | REF |
| 13 | 13 | | 12-25709-01 | | STANDOFF, MALE/FEM 4-40 X | 2 | 2 | 2 |
| 14 | 14 | | 23-203E5-00 | | E5-02 UVE | 1 | 1 | 1 |
| 15 | 15 | | 70-20814-02 | | TERMINAL CONTROLL 90. BEZEL ASSY. | REF | REF | REF |
| 16 | 16 | | 35-15946-00 | | LABEL, PRODUCT VARIATION | 1 | 1 | 1 |
| 17 | 17 | | 35-24819-01 | | LABEL, MAX INPUT | 1 | 1 | 1 |
| 18 | 18 | | 70-20628-01 | | WELDMENT AND A.C. COMP ASSY | REF | REF | REF |
| 19 | 19 | | 70-20628-02 | | WELDMENT AC COMP. ASSY. | REF | REF | REF |
| 20 | 20 | | 70-19798-00 | | WELDMENT, TENSION WIRE | REF | REF | REF |
| 21 | 21 | | 90-00038-18 | | SCREW, MACH PAN PHIL 6-32 | REF | REF | REF |
| 22 | 22 | | 90-08185-00 | | NUT, HEX EXT TOOTH LCKWSHR 6-32X | REF | REF | REF |
| 23 | 23 | | 74-28549-02 | | CLIP, SPRING | REF | REF | REF |
| 24 | 24 | | 90-09800-02 | | SCREW, TMD RL, PAN PHIL F/PLAS | REF | REF | REF |
| 25 | 25 | | 74-28566-01 | | BRKT. MOUNTING | REF | REF | REF |
| 26 | 26 | | 70-20624-01 | | PCB BEZEL ASSY | REF | REF | REF |
| 27 | 27 | | 90-06020-01 | | SCREW, MACH PAN PHIL 6-32 | REF | REF | REF |
| 28 | 28 | | 90-10154-00 | | NUT, HEX EXT TOOTH LCKWSHR 8-32X | REF | REF | REF |
| 29 | 29 | | 35-17880-03 | | LABEL, FCC, CLASS A, PERIPHERAL | 1 | 1 | 1 |
| 30 | 30 | | 35-17905-16 | | LABEL, WARNING EQUIP. RATING, 100-12 | 1 | 1 | 1 |
| 31 | 31 | | 23-202E5-00 | | E5-02 UVE | 1 | 1 | 1 |
| 32 | 32 | | 90-09280-00 | | NUT, HEX 4-40X .184AF SS/NON | 2 | 2 | 2 |

| REVISION HISTORY | | | KPL MATRIX FORMAT | | SECTION A | OF | AIDRN: | PAUL J COVIELLO | | | | | |
|------------------|---------------|-----|-------------------|-------|--------------------------|----------------|--------|---------------------------|-----------------|-------------|-----------------------|-----------------|--|
| ENG | ECO NUMBER | REV | SECTION/VARIATION | INDEX | DATE: | 28-AUG-85 | | | | | | | |
| --- | INITIAL | A | UA, UB, UC | | DATE: | 28-AUG-85 | | | | | | | |
| 1PA | VT220-U-NU001 | B | | | CHK'D: | P. CHARBONNEAU | | TITLE PARTS LIST | | | | | |
| 1FA | VT220-U-NU002 | C | | | DATE: | 28-AUG-85 | | MONITOR ASSY. TOUCHSCREEN | | | | | |
| | | | | | DES. ENG: | D. DAUGUSTA | | DOCUMENT NUMBER | | | | | |
| | | | | | DATE: | 13-SEP-85 | | | | | | | |
| | | | | | RESP. ENG.: | D. DAUGUSTA | | SIZE | CODE | NUMBER | REV | | |
| | | | | | DATE: | 13-SEP-85 | | K | PL | VT220-U-DBP | C | | |
| | | | | | MFG. ENG.: | A. ELLIS | | RELEASE DATE: 20-MAR-86 | | | | | |
| | | | | | DATE: | 13-SEP-85 | | | | | | | |
| | | | | | RELEASE STATUS: RELEASED | | | | | | | | |
| | | | | | BASIC PART NUMBER: | VT220 | | ASSEMBLY NUMBER: | 1E-AD-VT220-U-0 | | ITOP DOCUMENT NUMBER: | 1E-AD-VT220-U-0 | |
| | | | | | FILE NAME: | 1NUVT220UC.PLS | | | | | EDIT # | 1 | |

*THIS DRAWING AND THE SPECIFICATIONS CONTAINED HEREIN ARE CONFIDENTIAL AND PROPRIETARY. THEY ARE THE PROPERTY OF DIGITAL EQUIPMENT CORPORATION AND SHALL NOT BE REPRODUCED OR COPIED OR USED IN WHOLE OR IN PART AS THE BASIS FOR THE MANUFACTURE OR SALE OF ITEMS WITHOUT WRITTEN PERMISSION. THIS IS AN UNPUBLISHED WORK PROTECTED UNDER THE FEDERAL COPYRIGHT LAWS.

NW

| LINE | ITEM | TOP DOCUMENT | PART NUMBER | MIN REV | DESCRIPTION | QUANTITY PER VARIATION/REVISION | | |
|------|------|----------------|-------------|------------|------------------------------------|---------------------------------|----------|----------|
| | | | | | | UA A2 | UB A2 | UC A2 |
| 33 | 33 | | 12-23704-01 | | CAP,SNAP | REF | REF | REF |
| 34 | 34 | | 90-06939-01 | | SCREW,MACH PAN PHIL | REF | REF | REF |
| 35 | 35 | | 90-06660-00 | | WASHER,FLAT SST | REF | REF | REF |
| 36 | 36 | | 12-23703-01 | | WASHER,CUP | REF | REF | REF |
| 37 | 37 | SEE GEN NOTE 2 | 70-22442-01 | | TOUCH TCB ASSY. | REF | REF | REF |
| 38 | 38 | | 35-12449-00 | | LABEL, UL. FOIL VINYL, ADH BACK, 1 | 1 | 1 | 1 |
| 39 | 39 | | 17-00083-09 | | PWR CORD,TERM 3-18 SJT 125V | 1 | 1 | 1 |

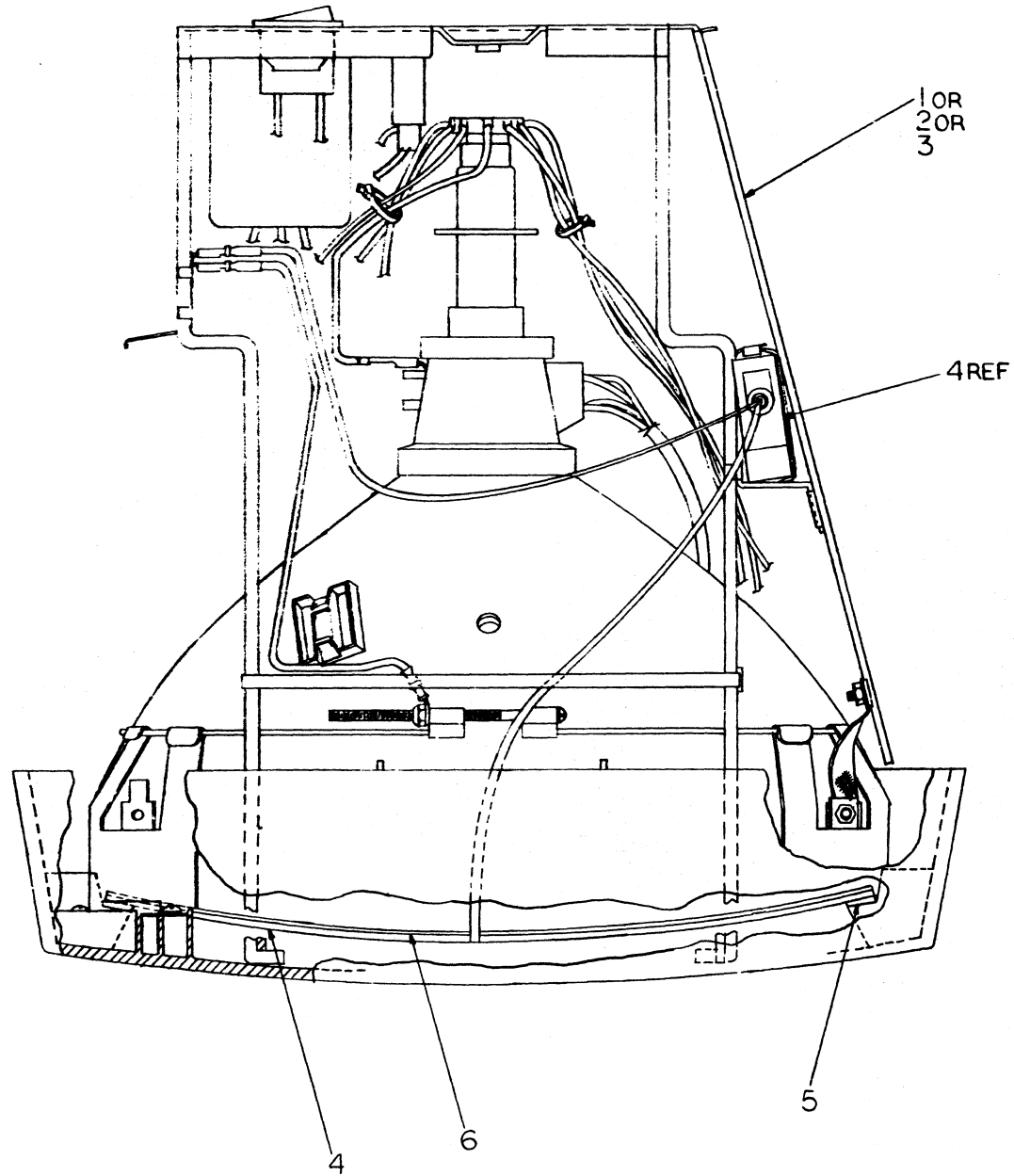
1 GEN: QUANTITY IS SPECIFIED IN INCHES
 2 GEN: 7022442-01 IS A FIELD REPLACEMENT ONLY
 3 GEN: ITEMS 12,15,18-28,33-36 ARE PART OF ITEMS 1,2,OR3.

| | | | | | | | | | |
|------------------------------|--|--|----------------|--|--|------|------|-----------------|-----|
| TITLE | | | SECTION A OF A | | | SIZE | CODE | DOCUMENT NUMBER | REV |
| MONITOR ASSY, TOUCHSCREEN | | | | | | | | VT220-U-0BP | C |
| G I T T A L | | | | | | K | PL | | |

WU

THIS DRAWING AND SPECIFICATIONS HEREIN ARE THE PROPERTY OF DIGITAL EQUIPMENT CORPORATION AND SHALL NOT BE REPRODUCED OR COPIED OR USED IN WHOLE OR IN PART AS THE BASIS FOR THE MANUFACTURE OR SALE OF ITEMS WITHOUT WRITTEN PERMISSION
 COPYRIGHT © 1985 DIGITAL EQUIPMENT CORPORATION

NOTE:
 1. FRU ONLY.
 2. REFER TO E-AD-VT220-U-0 FOR ASSEMBLY INFORMATION.

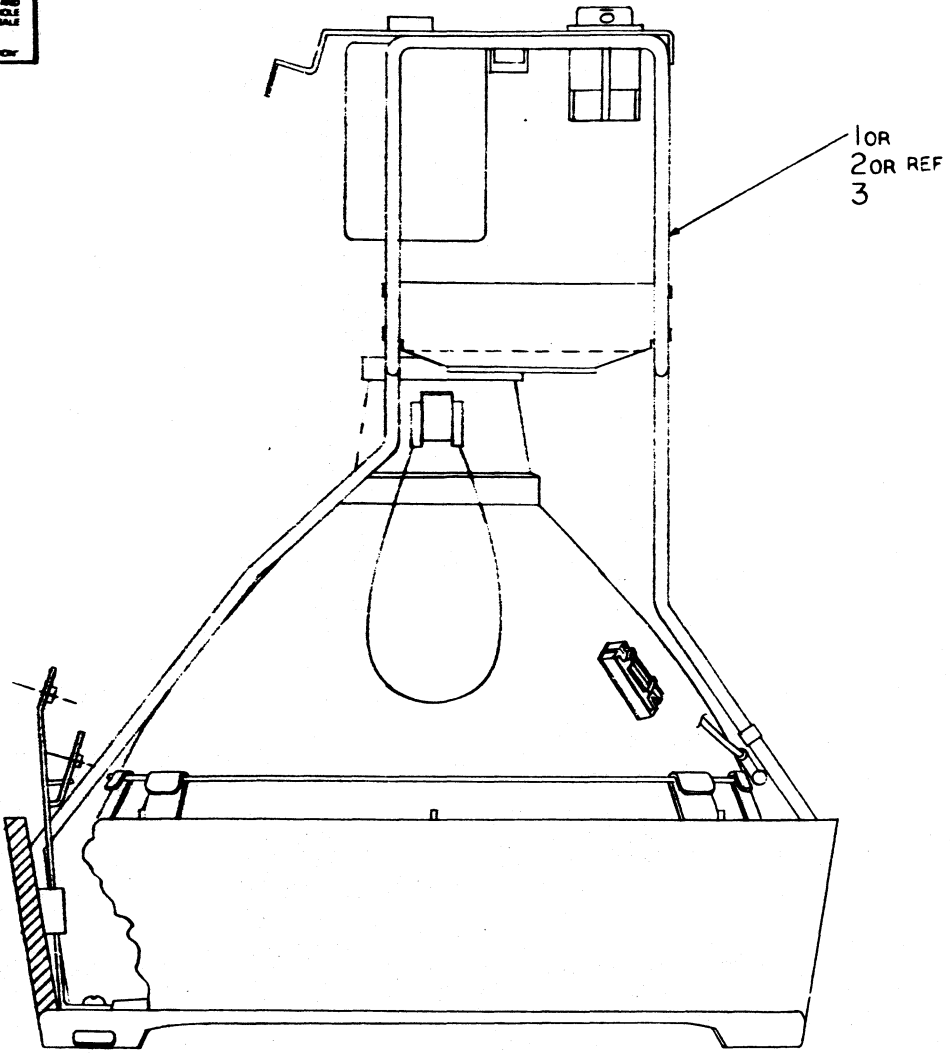


SEE OFF SHEET PARTS LIST
 K-PL-7022439-0-DBP

| QUANTITY & VARIATION | DESCRIPTION | DRAWING NO. | PART NO. | ITEM NO. |
|--|----------------|----------------------------|-------------------------|----------|
| UNLESS OTHERWISE SPECIFIED DIMENSIONS ARE IN INCHES AND THE FOLLOWING TOLERANCES APPLY (PER DEC STD 114) | | | | |
| INCHES TOLERANCES | | APPLICABLE DIMENSION RANGE | | |
| X ± .1 | ANGLES ± 0°30' | OVER 0 | OVER 12 | OVER 40 |
| XX ± .02 | | TO 0.2 | TO 1.2 | TO 12.0 |
| XXX ± .006 | | TO 0.2 | TO 1.2 | TO 12.0 |
| SURFACE QUALITY | | DIMENSION RANGE IN INCHES | | |
| ✓ | | OVER 0 | OVER 12 | OVER 40 |
| MICROINCHES | | TO 0.2 | TO 1.2 | TO 12.0 |
| | | ± .004 | ± .008 | ± .012 |
| | | ± .004 | ± .008 | ± .012 |
| THIRD ANGLE PROJECTION | | DATE | TITLE | |
| DO NOT SCALE DRAWING | | 9-10-85 | BEZEL ASSY, TOUCHSCREEN | |
| REMOVE BURRS AND BREAK SHARP CORNERS | | DATE | DOCUMENT NUMBER | |
| MATERIAL | | 11-12-85 | D UA 7022439-0-0 | |
| FINISH | | DATE | SCALE | |
| | | 11-11-85 | 1 OF 2 | |
| TOP DOC NO. 0-UA-7022439-0-0 | | | | |

| REV | ECO NUMBER | DATE |
|-----|------------|------|
| | | |

8
 THIS DRAWING AND SPECIFICATIONS HEREIN ARE THE PROPERTY OF DIGITAL EQUIPMENT CORPORATION AND SHALL NOT BE REPRODUCED OR COPIED OR USED IN WHOLE OR IN PART AS THE BASIS FOR THE MANUFACTURE OR SALE OF ITEMS WITHOUT WRITTEN PERMISSION.
 COPYRIGHT © 1985 DIGITAL EQUIPMENT CORPORATION



| REVISION HISTORY | | |
|------------------|------------|------|
| REV. | ECO NUMBER | DATE |
| | | |

TITLE BEZEL ASSY,
TOUCHSCREEN

| DOCUMENT NUMBER | | |
|-----------------|----------------|--------------|
| SIZE CODE | NUMBER | REV. |
| D | UA 7022439-0-0 | A |
| SCALE | | SHEET 2 OF 2 |

| LINE | ITEM | TOP DOCUMENT | PART NUMBER | MIN REV | DESCRIPTION | QTY PER VARIATION | | |
|------|------|--------------|-------------|---------|----------------------|---------------------------|----|----|
| | | | | | | UA | UB | UC |
| | | | | | | VARIATION REVISION LEVEL: | | |
| | | | | | | A | A | A |
| 1 | 1 | | 7020622-06 | | BEZEL ASSEMBLY | 1 | 0 | 0 |
| 2 | 2 | | 7020622-05 | | BEZEL ASSEMBLY | 0 | 1 | 0 |
| 3 | 3 | | 7020622-06 | | BEZEL ASSEMBLY | 0 | 0 | 1 |
| 4 | 4 | | 3025076-01 | | TOUCHSCREEN 12" | 1 | 1 | 1 |
| 5 | 5 | | 1225708-01 | | BUMPER, ADM BK URETH | 4 | 4 | 4 |
| 6 | 6 | SEE NOTE 7 | 9010025-00 | | GASKET,FOAM NEOPRENE | 31 | 31 | 31 |

7 NOTE: ITEM 6 QUANTITY IS SPECIFIED IN INCHES.

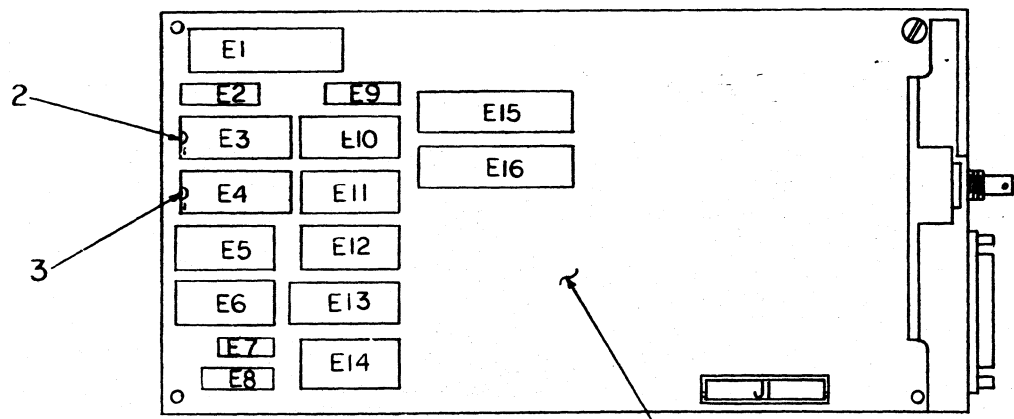
| REVISION HISTORY | | BASIC PART NO: 7022439 | | DORN: PAUL J COVIELLO | | DATE: 18-OCT-85 | | D I G I T A L | |
|------------------|------------|------------------------|-------------------------|-----------------------|----------------|----------------------|-----------|-------------------------|------------|
| ENG | ECD NUMBER | REV | SECTION A OF A | CHK'D: | P. CHARBONNEAU | DATE: | 18-OCT-85 | TITLE | PARTS LIST |
| | INITIAL | A | SECTION-VARIATION INDEX | | | | | CRT & YOKE ASSY | |
| | | | CAJUA,UB,UC | | | | | M/TOUCHSCREEN | |
| | | | CB | DES.ENG: | D. DAUGUSTA | DATE: | 18-OCT-85 | DOCUMENT NUMBER | |
| | | | CC | | | | | SIZE/CODE/NUMBER | REV |
| | | | CD | RESP.ENG.: | D. DAUGUSTA | DATE: | 18-OCT-85 | X PL 7022439-0-D&P | A |
| | | | CE | IMG.ENG.: | A. ELLIS | DATE: | 18-OCT-85 | RELEASE DATE: 21-NOV-85 | |
| | | | CF | ASSEMBLY NUMBER: | | TOP DOCUMENT NUMBER: | | FILE NAME: | EDIT # |
| | | | | 10-UA-7022439-0-0 | | 10-UA-7022439-0-0 | | 2439.PLS | 4 |

"THIS DRAWING AND THE SPECIFICATIONS CONTAINED HEREIN ARE CONFIDENTIAL AND PROPRIETARY. THEY ARE THE PROPERTY OF DIGITAL EQUIPMENT CORPORATION AND SHALL NOT BE REPRODUCED OR COPIED OR USED IN WHOLE OR IN PART AS THE BASIS FOR THE MANUFACTURE OR SALE OF ITEMS WITHOUT WRITTEN PERMISSION. THIS IS AN UNPUBLISHED WORK PROTECTED UNDER THE FEDERAL COPYRIGHT LAWS."

NV

THIS DRAWING AND SPECIFICATIONS HEREAFTER ARE THE PROPERTY OF DIGITAL EQUIPMENT CORPORATION AND SHALL NOT BE REPRODUCED OR COPIED OR USED IN WHOLE OR IN PART AS THE BASIS FOR THE MANUFACTURE OF SUCH OF ITEMS WITHOUT WRITTEN PERMISSION.
 COPYRIGHT © 1985 DIGITAL EQUIPMENT CORPORATION

NOTE
 1. FRU ONLY



SEE OFF SHEET PARTS LIST
 K-PL-7022442-0-DBP

| DESCRIPTION | DRAWING NO. | PART NO. | ITEM NO. | | | | |
|--|--------------------------------------|--|--------------------------|--------------------------|--------------------------|--------------------------|--------------------------|
| UNLESS OTHERWISE SPECIFIED DIMENSIONS ARE IN INCHES AND THE FOLLOWING TOLERANCES APPLY (PER DEC STD 114) | | | | | | | |
| INCHES TOLERANCES | ANGLES ± 0° 30' | DIMENSION RANGE IN INCHES | | | | | |
| | | APPLICABLE DIMENSION RANGE (CHECK ONE) | OVER 0 TO 0.2 | OVER 0.2 TO 1.2 | OVER 1.2 TO 4.0 | OVER 4.0 TO 12.0 | OVER 12.0 TO 48.0 |
| X ± .1 XX ± .02 XXX ± .008 | SURFACE QUALITY ✓ MICROFINISH | <input type="checkbox"/> | <input type="checkbox"/> | <input type="checkbox"/> | <input type="checkbox"/> | <input type="checkbox"/> | <input type="checkbox"/> |
| QUANTITY & VARIATION | THIRD ANGLE PROJECTION | DATE | TITLE | DOCUMENT NUMBER | | | |
| | | 7-13-85 | TOUCH TCB ASSY | D AD 7022442-0-0 | | | |
| | DO NOT SCALE DRAWING | DATE | | REV. CODE NUMBER | | | |
| | REMOVE BURRS AND BREAK SHARP CORNERS | 11-12-85 | | 1 A | | | |
| MATERIAL | | DATE | | SCALE | | | |
| FINISH | | 11-10-85 | | 1 of 1 | | | |
| | | TOP DOC. NO. D-AD-7022442-0-0 | | | | | |

| REV. | ECO NUMBER | DATE |
|------|------------|------|
| | | |

| LINE | ITEM | TOP DOCUMENT | PART NUMBER | MIN REV | DESCRIPTION | QTY PER VARIATION | | REFERENCE DESIGNATOR |
|------|------|--------------|-------------|---------|---------------------------------|-------------------|---|----------------------|
| | | | | | | 01 | A | |
| 1 | 1 | | 7020814-02 | | TERMINAL CONTROL BD. BEZEL ASSY | 1 | | |
| 2 | 2 | | 23202E5-00 | | E5-02 | U | 1 | E3 |
| 3 | 3 | | 23203E5-00 | | E5-02 | U | 1 | E4 |

| REVISION HISTORY | | BASIC PART NO: 7022442 | | DRN: PAUL J COVIELLO | | DATE: 04-OCT-85 | | D I G I T A L | |
|------------------|------------|------------------------|-------------------------|----------------------|----------------|----------------------|-----------|-----------------|------------|
| ENG1 | ECO NUMBER | REV | SECTION A OF A | CHK'D: | P. CHARBONNEAU | DATE: | 04-OCT-85 | TITLE | PARTS LIST |
| | INITIAL | A | SECTION-VARIATION INDEX | | | | | TOUCH TCB ASSY | |
| | | | [A] 01 | DES.ENG: | D. DAUGUSTA | DATE: | 04-OCT-85 | DOCUMENT NUMBER | |
| | | | [B] | | | | | SIZE/ | CODE/ |
| | | | [C] | RESP.ENG.: | D. DAUGUSTA | DATE: | 04-OCT-85 | K | PL |
| | | | [D] | | | | | 7022442-0-DBP | A |
| | | | [E] | MFG.ENG.: | A. ELLIS | DATE: | 04-OCT-85 | RELEASE DATE: | 21-NOV-85 |
| | | | [F] | | | | | | |
| | | | [G] | ASSEMBLY NUMBER: | | TOP DOCUMENT NUMBER: | | FILE NAME: | EDIT # |
| | | | [H] | D-AD-7022442-0-0 | | ED-AD-7022442-0-0 | | 2442.PLS | 2 |
| | | | [I] | | | | | | |
| | | | [J] | | | | | | |
| | | | [K] | | | | | | |
| | | | [L] | | | | | | |
| | | | [M] | | | | | | |
| | | | [N] | | | | | | |

"THIS DRAWING AND THE SPECIFICATIONS CONTAINED HEREIN ARE CONFIDENTIAL AND PROPRIETARY. THEY ARE THE PROPERTY OF DIGITAL EQUIPMENT CORPORATION AND SHALL NOT BE REPRODUCED OR COPIED OR USED IN WHOLE OR IN PART AS THE BASIS FOR THE MANUFACTURE OR SALE OF ITEMS WITHOUT WRITTEN PERMISSION. THIS IS AN UNPUBLISHED WORK PROTECTED UNDER THE FEDERAL COPYRIGHT LAWS."

NW

| LINE | ITEM | TOP DOCUMENT | PART NUMBER | REV | DESCRIPTION | QTY PER VARIATION |
|------|------|--------------|-------------|-----|--------------------------------|-------------------|
| 1 | 1 | | 1222776-01 | | CONN,D SUB 25POS ASSY | 2 |
| 2 | 2 | | 1224601-01 | | CONN,D SUB 25POS WOOD STRAIGHT | 1 |
| 3 | 3 | SEE NOTE 5 | 9107738-04 | | CABLE,RIBBON BOND 25COND 28AWG | 22 |
| 4 | 4 | | 3616073-00 | | LABEL,ID W/COPY VERTICAL | 1 |

5 NOTE: ITEM 3 QUANTITY IS IN INCHES.

| REVISION HISTORY | | | BASIC PART NO: 7022422 | | | D I G I T A L | | |
|------------------|------------|-----|-------------------------|-------------------|-----------------|----------------------|-----------|-------------------------|
| ENG | ECD NUMBER | REV | SECTION A OF A | DRN: | PAUL J COVIELLO | DATE: | 18-JUN-85 | |
| | INITIAL | A | SECTION-VARIATION INDEX | CHK'D: | P. CHARBONNEAU | DATE: | 18-JUN-85 | TITLE PARTS LIST |
| | | | CAJIL | | | | | ADAPTER CABLE, INTERNAL |
| | | | CBJ | DES.ENG: | D. DAUGUSTA | DATE: | 18-JUN-85 | DOCUMENT NUMBER |
| | | | CCJ | | | | | SIZE CODE NUMBER REV |
| | | | CDJ | RESP.ENG.: | D. DAUGUSTA | DATE: | 18-JUN-85 | K PL 7022422-0-DBP A |
| | | | CEJ | | | | | |
| | | | CFJ | MFG.ENG.: | A.ELLIS | DATE: | 18-JUN-85 | RELEASE DATE: 21-NOV-85 |
| | | | | ASSEMBLY NUMBER: | | TOP DOCUMENT NUMBER: | | FILE NAME: I EDIT # |
| | | | | 1D-IA-7022422-0-0 | | 1D-IA-7022422-0-0 | | 2422.PLS 9 |

"THIS DRAWING AND THE SPECIFICATIONS CONTAINED HEREIN ARE CONFIDENTIAL AND PROPRIETARY. THEY ARE THE PROPERTY OF DIGITAL EQUIPMENT CORPORATION AND SHALL NOT BE REPRODUCED OR COPIED OR USED IN WHOLE OR IN PART AS THE BASIS FOR THE MANUFACTURE OR SALE OF ITEMS WITHOUT WRITTEN PERMISSION. THIS IS AN UNPUBLISHED WORK PROTECTED UNDER THE FEDERAL COPYRIGHT LAWS."

NU

| LINE | ITEM | TOP DOCUMENT | PART NUMBER | MIN REV | DESCRIPTION | QTY PER VARIATION |
|------|------|--------------|-------------|---------|--------------------------------|---------------------------|
| | | | | | | 1L |
| | | | | | | A |
| | | | | | | VARIATION REVISION LEVEL: |
| 1 | 1 | | 1222776-01 | | CONN,D SUB 25POS ASSY | 2 |
| 2 | 2 | | 1224601-01 | | CONN,D SUB 25POS WOOD STRAIGHT | 1 |
| 3 | 3 | SEE NOTE 5 | 9107738-04 | | CABLE,RIBBON BOND 25COND 28AWG | 22 |
| 4 | 4 | | 3616073-00 | | LABEL,ID W/COPY VERTICAL | 1 |

5 NOTE: ITEM 3 QUANTITY IS IN INCHES.

| REVISION HISTORY | | BASIC PART NO: 7022422 | | FORN: PAUL J COVIELLO | | DATE: 18-JUN-85 | | D I G I T A L | |
|------------------|------------|------------------------|-------------------------|-----------------------|-------------------|-----------------------|-------------------|-------------------------|------------|
| ENG | ECO NUMBER | REV | SECTION A OF A | CHK'D: | P. CHARBONNEAU | DATE: | 18-JUN-85 | TITLE | PARTS LIST |
| | INITIAL | A | SECTION VARIATION INDEX | CHK'D: | P. CHARBONNEAU | DATE: | 18-JUN-85 | ADAPTER CABLE, INTERNAL | |
| | | | CAJIL | | | | | | |
| | | | CBJ | DES.ENG: | D. DAUGUSTA | DATE: | 18-JUN-85 | DOCUMENT NUMBER | |
| | | | CCJ | RESP.ENG.: | D. DAUGUSTA | DATE: | 18-JUN-85 | SIZE CODE | NUMBER |
| | | | CDJ | | | | | K | PL |
| | | | CEJ | INFG.ENG.: | A. ELLIS | DATE: | 18-JUN-85 | 7022422-0-D&P | A |
| | | | CFJ | | | | | RELEASE DATE: | 21-NOV-85 |
| | | | | ASSEMBLY NUMBER: | 10-IA-7022422-0-0 | STOP DOCUMENT NUMBER: | 10-IA-7022422-0-0 | FILE NAME: | 2422.PLS |
| | | | | | | | | EDIT #: | 9 |

THIS DRAWING AND THE SPECIFICATIONS CONTAINED HEREIN ARE CONFIDENTIAL AND PROPRIETARY. THEY ARE THE PROPERTY OF DIGITAL EQUIPMENT CORPORATION AND SHALL NOT BE REPRODUCED OR COPIED OR USED IN WHOLE OR IN PART AS THE BASIS FOR THE MANUFACTURE OR SALE OF ITEMS WITHOUT WRITTEN PERMISSION. THIS IS AN UNPUBLISHED WORK PROTECTED UNDER THE FEDERAL COPYRIGHT LAWS.

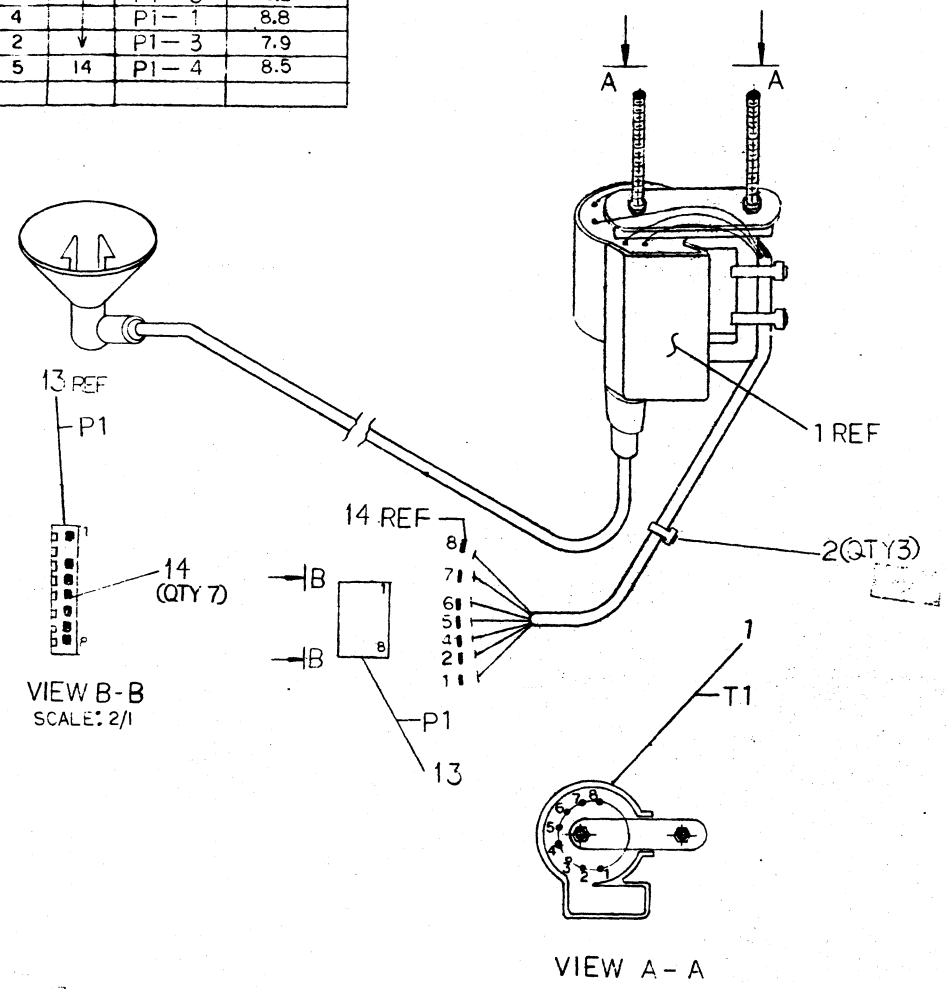
NW

THIS DRAWING AND SPECIFICATIONS HEREIN ARE THE PROPERTY OF DIGITAL EQUIPMENT CORPORATION AND SHALL NOT BE REPRODUCED OR COPIED OR USED IN WHOLE OR IN PART AS THE BASIS FOR THE MANUFACTURE OR SALE OF ITEMS WITHOUT WRITTEN PERMISSION OF DIGITAL EQUIPMENT CORPORATION
 1983 DIGITAL EQUIPMENT CORPORATION

| WIRE TABLE | | | | | | | |
|------------|-------------|-------|------------|-----------------|-----------------------|--------|--|
| ITEM NO. | DESCRIPTION | FROM | TO | "PRECUT LENGTH" | | | |
| NO. | AWG | COLOR | CONNECTION | WITH | POINT WITH CONNECTION | LENGTH | |
| 005 | 22 | BLK | T1-1 | SOLDER | 1 14 P1-5 | 7.6 | |
| 006 | | BRN | T1-7 | | 7 14 P1-7 | 7.9 | |
| 007 | | WHT | T1-8 | | 8 14 P1-8 | 7.6 | |
| 008 | | YEL | T1-6 | | 6 14 P1-6 | 6.2 | |
| 009 | | RED | T1-4 | | 4 14 P1-1 | 8.8 | |
| 010 | | BLU | T1-2 | | 2 14 P1-3 | 7.9 | |
| 011 | 22 | PUR | T1-5 | SOLDER | 5 14 P1-4 | 8.5 | |

| LEGEND | | |
|-------------|-----|-----------|
| NUMBER | REV | VARIATION |
| 70 20772-01 | A2 | AS SHOWN |

NOTES: RED WIRE (ITEM 9) OF F.B.T. HARNESS ASSEMBLY MUST BE COATED BY HEAT SHRINK TUBING (ITEM 12)



VIEW B-B
SCALE: 2/1

VIEW A-A

CAUTION: OFF SHEET PARTS LIST EXISTS. SEE RFL-7020772-0-DBP

| DATE | REV | ECO NUMBER | INITIALS |
|-------|-----|------------|----------|
| 8/4 | A | | TAOCCI |
| 12/15 | B | | WU |
| 12/15 | C | | WU |

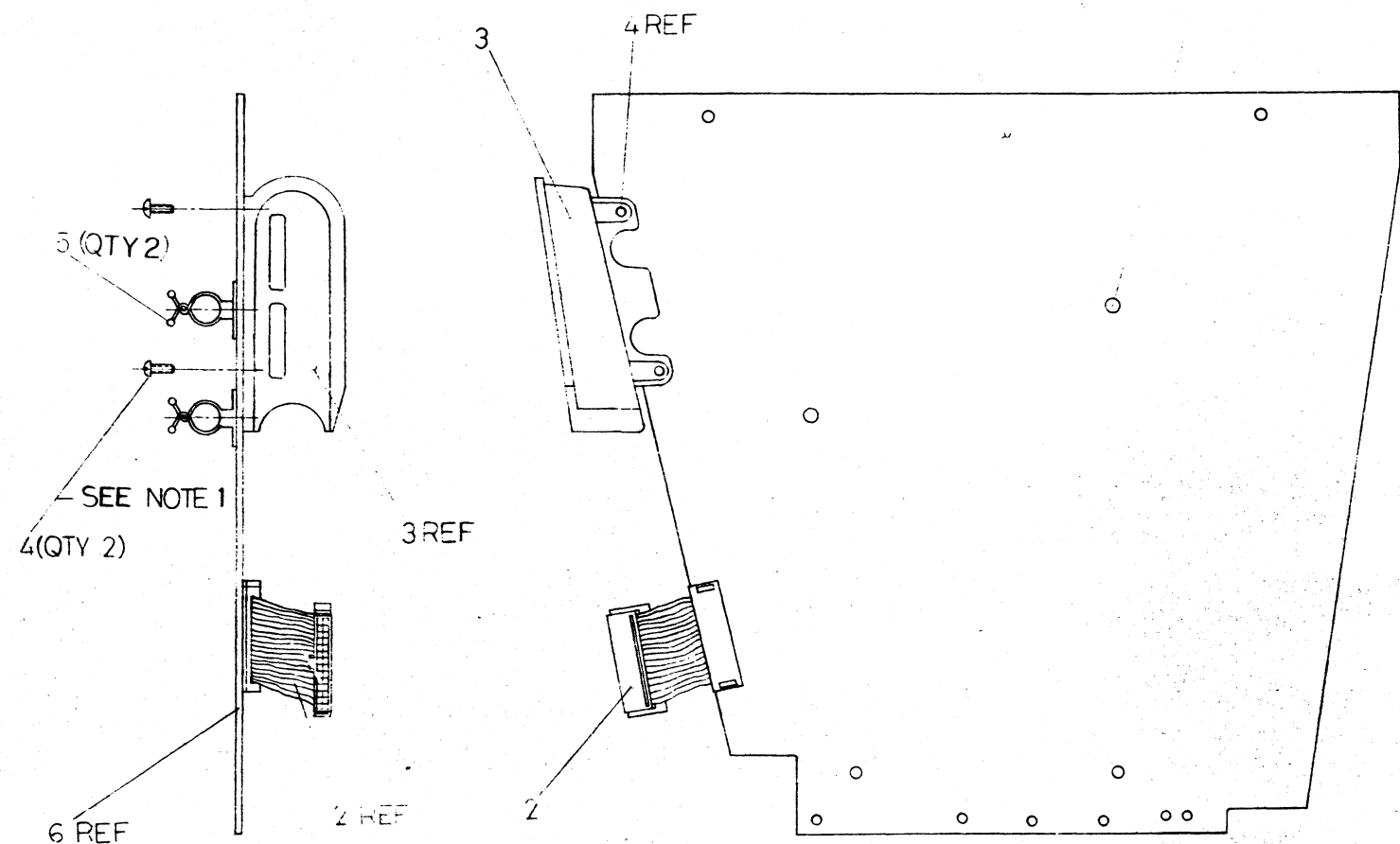
FIRST USED ON VT220

| DESCRIPTION | DRAWING NO. | PART NO. | ITEM NO. |
|--|---------------------------|-----------------|-----------------|
| UNLESS OTHERWISE SPECIFIED DIMENSIONS ARE IN INCHES AND THE FOLLOWING TOLERANCES APPLY (PER DEC STD 114) | | | |
| INCHES TOLERANCES | DIMENSION RANGE IN INCHES | | |
| | OVER 0.2 TO 0.3 | OVER 0.3 TO 0.4 | OVER 0.4 TO 0.5 |
| ANGLES ± 0° 30' | SURFACE QUALITY | | |
| APPLICABLE FINISHES | MICROFINISHES | | |
| QUANTITY & VARIATION | THIRD ANGLE PROJECTION | | |
| DO NOT SCALE DRAWING | DATE | TITLE | |
| REMOVE BURRS AND BREAK SHARP CORNERS | DATE | F.B.T. ASSEMBLY | |
| MATERIAL | DATE | DOCUMENT NUMBER | |
| FINISH | DATE | DIA | 7020772-0-1 |

THIS DRAWING AND SPECIFICATIONS, HEREIN, ARE THE PROPERTY OF DIGITAL EQUIPMENT CORPORATION AND SHALL NOT BE REPRODUCED OR COPIED OR USED IN WHOLE OR IN PART AS THE BASIS FOR THE MANUFACTURE OR SALE OF ITEMS WITHOUT WRITTEN PERMISSION. COPYRIGHT © 1983 DIGITAL EQUIPMENT CORPORATION

| LEGEND | | |
|------------|-----|-----------|
| NUMBER | REV | VARIATION |
| 7020624-01 | A1 | AS SHOWN |

NOTES
1. TORQUE ITEM 4 TO 2 IN LBS



CAUTION:
OFF SHEET PARTS MAY EXIST. SEE
4-PL-7020624-0-DEF

| REVISION HISTORY | ECO NUMBER | REV |
|------------------|------------|-----|
| INITIALS | 7020624-01 | A |
| DATE | 1/24/83 | B |

W. SATAS
1/22/83

FIRST USED ON
VT220

| DESCRIPTION | DRAWING NO. | PART NO. | ITEM NO. | | | | | | |
|--|-----------------|----------------------------|---------------------------|-----------------|-----------------|------------------|-------------------|-------------------|--|
| UNLESS OTHERWISE SPECIFIED DIMENSIONS ARE IN INCHES AND THE FOLLOWING TOLERANCES APPLY (PER DEC STD 114) | | | | | | | | | |
| INCHES TOLERANCES | ANGLES 90-90 | APPLICABLE DIMENSION RANGE | DIMENSION RANGE IN INCHES | | | | | | |
| | | | OVER 0 TO 0.2 | OVER 0.2 TO 1.2 | OVER 1.2 TO 4.0 | OVER 4.0 TO 12.0 | OVER 12.0 TO 40.0 | OVER 40.0 TO 60.0 | |
| X = ±.1 | SURFACE QUALITY | CHECK ORIT | □ | □ | □ | □ | □ | □ | |
| XX = ±.02 | ✓ | MICROINCHES | □ | □ | □ | □ | □ | □ | |
| XXX = ±.015 | | | | | | | | | |
| THIRD ANGLE PROJECTION | DATE | TITLE | | | | | | | |
| DO NOT SCALE DRAWING | DATE | digital | | | | | | | |
| REMOVE BURRS AND BREAK SHARP CORNERS | DATE | 4001 | | | | | | | |
| MATERIAL | DATE | DOCUMENT NUMBER | | | | | | | |
| FINISH | DATE | SCALE | | | | | | | |

| LINE | ITEM | TOP DOCUMENT | PART NUMBER | MIN REV | DESCRIPTION | QTY PER VARIATION |
|------|------|------------------|-------------|---------|-------------------------------|-------------------|
| 1 | 1 | | 5415651-00 | | *** THIS ITEM IS NOT USED *** | - |
| 2 | 2 | C-AD-7020771-0-0 | 7020771-0B | | CABLE ASSY | 1 |
| 3 | 3 | D-MD-7428555-0-0 | 7428555-01 | | BEZEL,PCB | 1 |
| 4 | 4 | | 9009800-02 | | SCREW,THD RL,PAN PHIL F/PLAS | 2 |
| 5 | 5 | | 9010483-01 | | STANDOFF,WIRE | 2 |
| 6 | 6 | | 5415651-01 | | POWER SUPPLY VT220 | 1 |

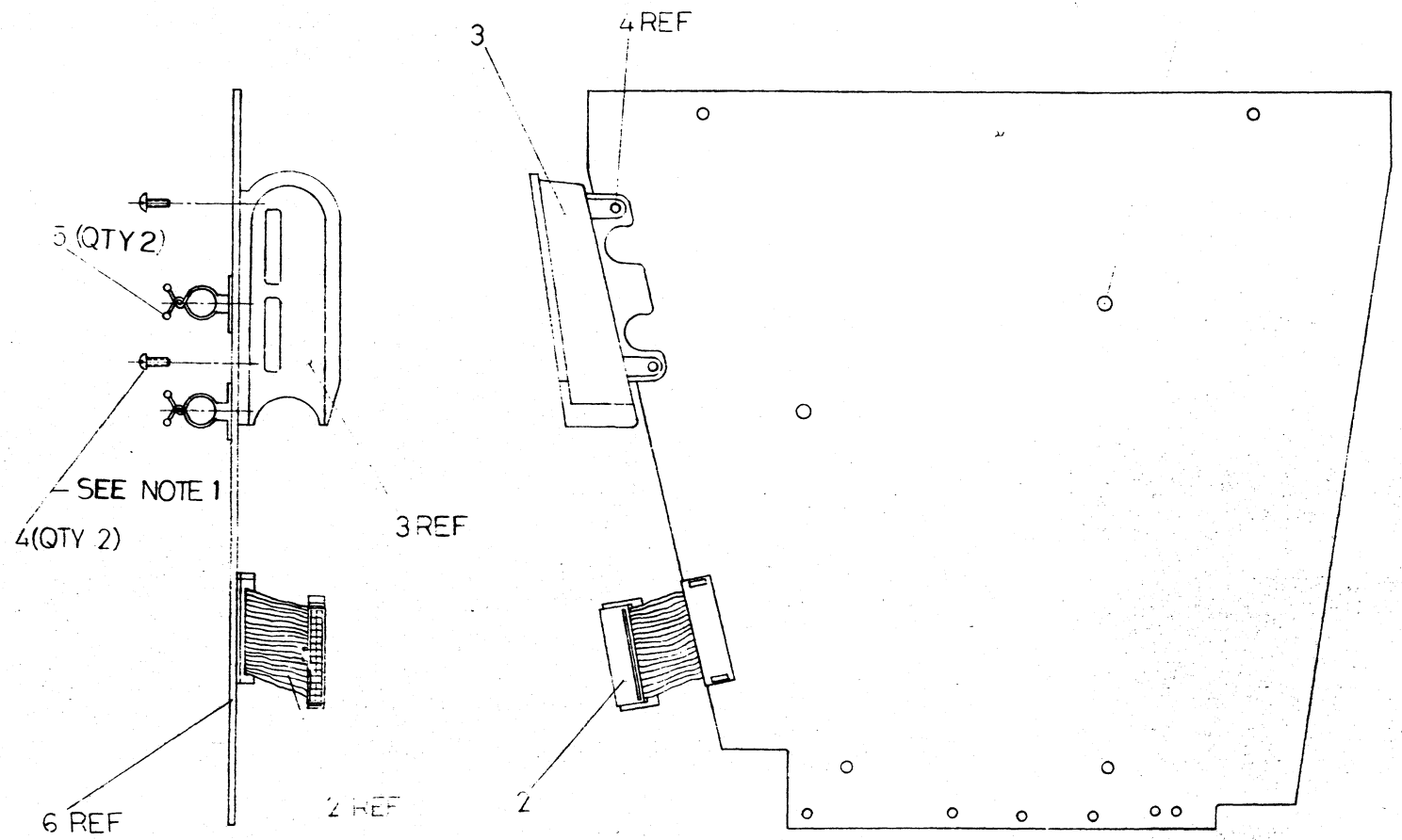
| REVISION HISTORY | | | BASIC PART NO: 7020624 | | |
|------------------|---------------|-----|-------------------------|--------------------|-------------------------|
| ENG | ECO NUMBER | REV | SECTION A OF A | DRN: C. GUO | DATE: 13-APR-83 |
| --- | INITIAL | A | SECTION VARIATION INDEX | CHK'D: S. TSAI | DATE: 19-AUG-83 |
| GW | 7020624-TA001 | B | [A]01 | DES.ENG: K. SHEN | DATE: 13-APR-83 |
| | | | [B] | RESP.ENG.: S. TSAI | DATE: 19-AUG-83 |
| | | | [C] | MFG.ENG.: G. WU | DATE: 19-AUG-83 |
| | | | [D] | ASSEMBLY NUMBER: | TOP DOCUMENT NUMBER: |
| | | | [E] | D-AD-7020624-0-0 | D-AD-7020624-0-0 |
| | | | [F] | | FILE NAME: Z7126B.PLS |
| | | | | | RELEASE DATE: 29-APR-85 |
| | | | | | EDIT # 10 |

"THIS DRAWING AND THE SPECIFICATIONS CONTAINED HEREIN ARE CONFIDENTIAL AND PROPRIETARY. THEY ARE THE PROPERTY OF DIGITAL EQUIPMENT CORPORATION AND SHALL NOT BE REPRODUCED OR COPIED OR USED IN WHOLE OR IN PART AS THE BASIS FOR THE MANUFACTURE OR SALE OF ITEMS WITHOUT WRITTEN PERMISSION. THIS IS AN UNPUBLISHED WORK PROTECTED UNDER THE FEDERAL COPYRIGHT LAWS."

THIS DRAWING AND SPECIFICATIONS, HEREIN, ARE THE PROPERTY OF DIGITAL EQUIPMENT CORPORATION AND SHALL NOT BE REPRODUCED OR COPIED OR USED IN WHOLE OR IN PART AS THE BASIS FOR THE MANUFACTURE OR SALE OF ITEMS WITHOUT WRITTEN PERMISSION. COPYRIGHT © 1983 DIGITAL EQUIPMENT CORPORATION.

| LEGEND | | |
|------------|-----|-----------|
| NUMBER | REV | VARIATION |
| 7020624-01 | A1 | AS SHOWN |

NOTES
1. TORQUE ITEM 4 TO 2 IN LBS



CAUTION:
OFF SHEET PARTS LIST EXIST. SEE
4-PL-7020624-0-DET

| DATE | ECO NUMBER | REV |
|---------|------------|-----|
| 7-1-79 | 7020624-01 | A |
| 1-18-80 | TA 001 | B |

W. SATAS
S. F. TSAI

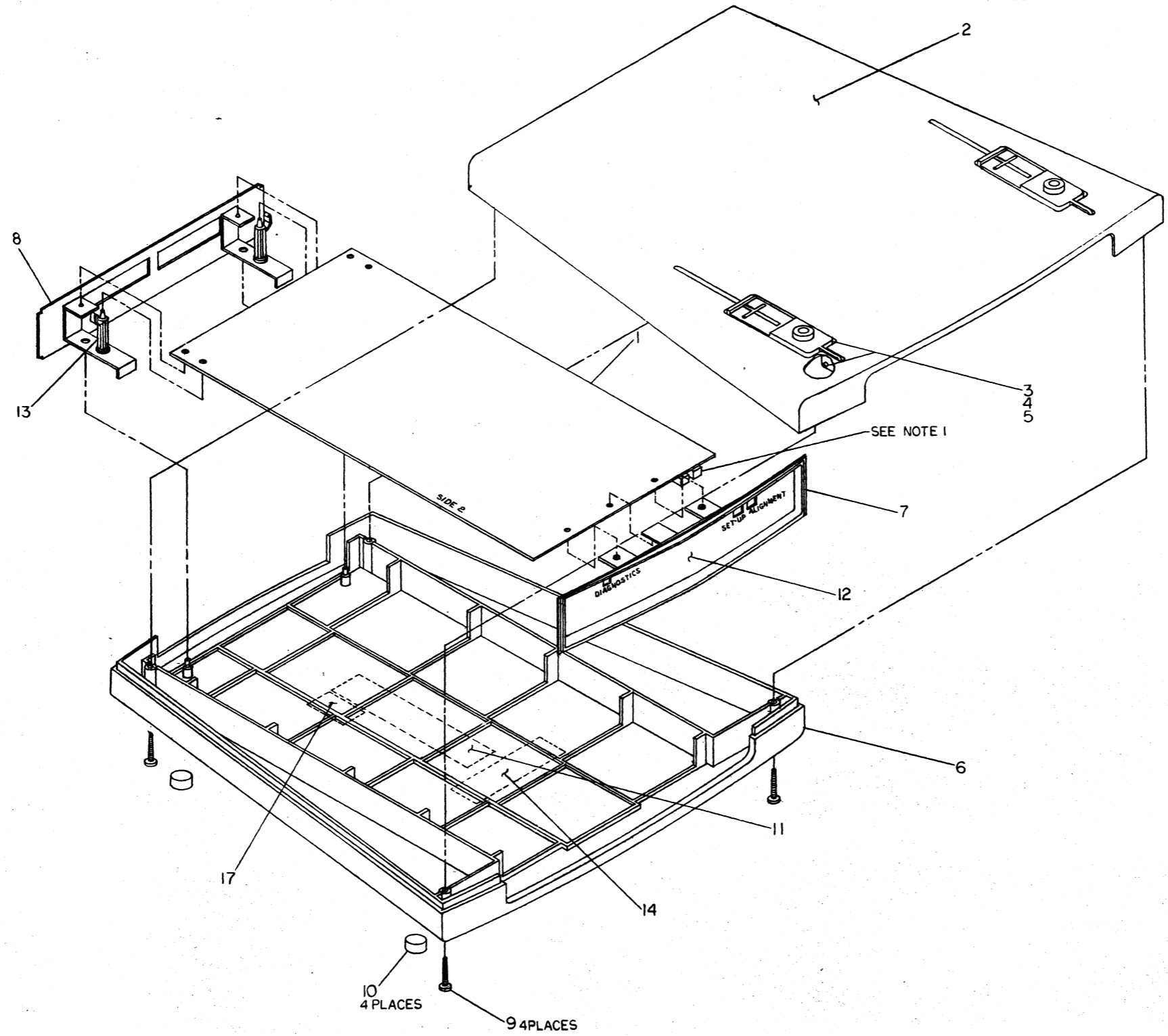
FIRST USED ON
VT220

| DESCRIPTION | DRAWING NO. | PART NO. | ITEM NO. |
|--|---|----------------------------|----------------------|
| UNLESS OTHERWISE SPECIFIED DIMENSIONS ARE IN INCHES AND THE FOLLOWING TOLERANCES APPLY (PER DEC STD 114) | | | |
| INCHES TOLERANCES X = ±.1 XX = ±.05 XXX = ±.008 | ANGLES ±0-90 SURFACE QUALITY ✓ | APPLICABLE DIMENSION RANGE | |
| | | DIMENSION RANGE IN INCHES | |
| | | OVER 0 TO 0.2 | OVER 0.2 TO 1.2 |
| | | OVER 1.2 TO 4.0 | OVER 4.0 TO 12.0 |
| | | OVER 12.0 TO 40.0 | OVER 40.0 TO 80.0 |
| | | OVER 80.0 TO 100.0 | OVER 100.0 TO 1000.0 |
| THIRD ANGLE PROJECTION | DATE | TITLE | |
| DO NOT SCALE DRAWING | DATE | digital | |
| REMOVE BURRS AND BREAK SHARP CORNERS | DATE | 7020624-01 | |
| MATERIAL | DATE | DOCUMENT NUMBER | |
| FINISH | DATE | SCALE | |

PROPERTY OF DIGITAL EQUIPMENT CORPORATION AND SHALL NOT BE REPRODUCED OR COPIED OR USED IN WHOLE OR IN PART AS THE BASIS FOR THE MANUFACTURE OR SALE OF ITEMS WITHOUT WRITTEN PERMISSION.
 COMPANY: DIGITAL EQUIPMENT CORPORATION

| LEGEND | | |
|------------|-----|-----------|
| PART NO | REV | VARIATION |
| 7023229-01 | A2 | AS SHOWN |

NOTE:
 1. PLUNGER CAPS OF SWITCHES ARE REMOVED BEFORE FRONT BEZEL ASSY. (ITEM 7) IS INSTALLED AND REASSEMBLED AFTER INSTALLATION.



SEE OFF SHEET PARTS LIST
 K-PL-7023229-0-DBP

| REV | DATE | BY | APP'D |
|-----|----------|------------------|------------------|
| 1 | 11/16/85 | PAUL J. COVIELLO | PAUL J. COVIELLO |
| 2 | 12/10/85 | PAUL J. COVIELLO | PAUL J. COVIELLO |
| 3 | 12/10/85 | PAUL J. COVIELLO | PAUL J. COVIELLO |

| QUANTITY & VARIATION | INCHES TOLERANCES | ANGLES ±0.25 | APPLICABLE DIMENSION RANGES | DIMENSION FINISH SPECIFICATIONS | | | | | |
|----------------------|-------------------|--------------|-----------------------------|---------------------------------|--------------------------|--------------------------|--------------------------|--------------------------|--------------------------|
| | | | | OVER 6 TO 0.2 | OVER 0.2 TO 0.5 | OVER 0.5 TO 1.0 | OVER 1.0 TO 2.0 | OVER 2.0 TO 5.0 | OVER 5.0 TO 10.0 |
| X = 1:1 | ±0.1 | ±0.25 | CHECK ONE | <input type="checkbox"/> | <input type="checkbox"/> | <input type="checkbox"/> | <input type="checkbox"/> | <input type="checkbox"/> | <input type="checkbox"/> |
| XX = 1:2 | ±0.15 | ±0.25 | FINISH | <input type="checkbox"/> | <input type="checkbox"/> | <input type="checkbox"/> | <input type="checkbox"/> | <input type="checkbox"/> | <input type="checkbox"/> |
| XXX = 1:4 | ±0.2 | ±0.25 | TEXTURE | <input type="checkbox"/> | <input type="checkbox"/> | <input type="checkbox"/> | <input type="checkbox"/> | <input type="checkbox"/> | <input type="checkbox"/> |

| | | |
|--------------------------------------|---------------------------|---------------------------|
| THIRD ANGLE PROJECTION | DATE: 5-10-85 | TITLE: TTI |
| DO NOT SCALE DRAWING | DRAWN BY: Paul J. Covello | CONTROL BOX |
| REMOVE BURRS AND BREAK SHARP CORNERS | CHECKED BY: [Signature] | |
| MATERIAL: [Symbol] | DATE: 10-05-85 | DOCUMENT NUMBER: [Symbol] |

"THIS DRAWING AND SPECIFICATIONS, HEREIN, ARE THE PROPERTY OF DIGITAL EQUIPMENT CORPORATION AND SHALL NOT BE REPRODUCED OR COPIED OR USED IN WHOLE OR IN PART AS THE BASIS FOR THE MANUFACTURE OR SALE OF ITEMS WITHOUT WRITTEN PERMISSION. COPYRIGHT © 1984 DIGITAL EQUIPMENT CORPORATION"

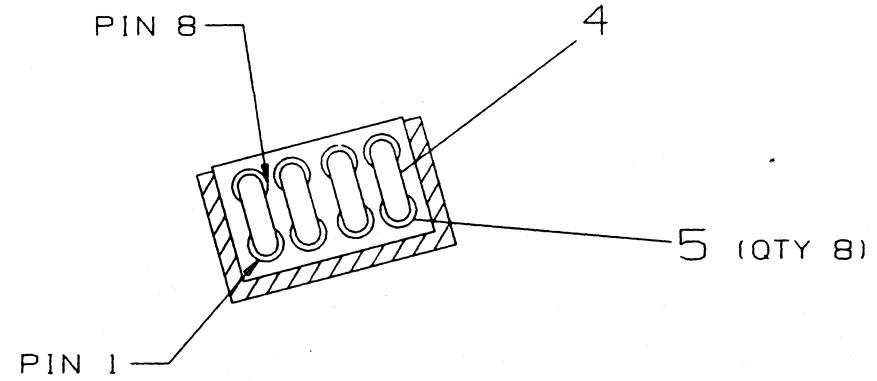
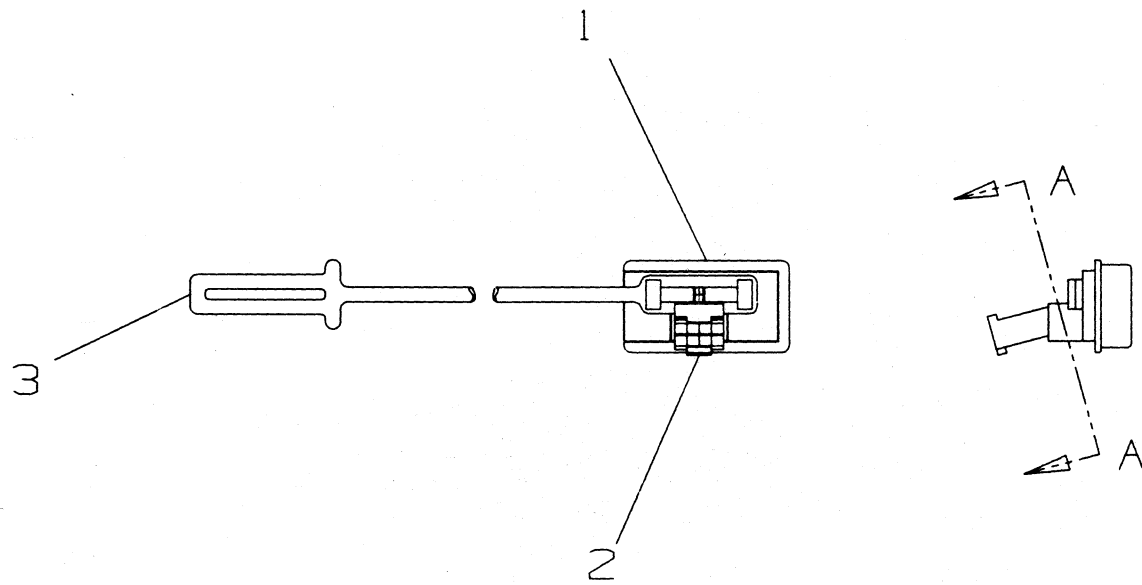
WIRE TABLE

| ITEM NO. | DESCRIPTION | FROM CONNECTION | TO CONNECTION |
|----------|-------------|-----------------|---------------|
| 4 | 22 | - | PI-1 |
| 4 | 22 | - | PI-2 |
| 4 | 22 | - | PI-3 |
| 4 | 22 | - | PI-4 |

LEGEND

| PART NO. | REV | VARIATION |
|------------|-----|-----------|
| 7021476-01 | A1 | AS SHOWN |

NOTES:



SECTION A-A
SCALE 4/1

CAUTION: OFF SHEET PARTS LIST EXISTS
REFER TO K-PL-7021476-0-DBP
(Z8299)

| REVISIONS | REV. | INITIAL |
|------------|------|---------|
| CHANGE NO. | A | |
| CHK | | |

| DESCRIPTION | DRAWING NO. | PART NO. | ITEM NO. |
|--|---|--|---|
| UNLESS OTHERWISE SPECIFIED DIMENSIONS ARE IN INCHES AND THE FOLLOWING TOLERANCES APPLY (PER DEC STD 114) | | | |
| INCHES TOLERANCES | ANGLES 10°-30° | APPLICABLE DIMENSION RANGE | |
| | | SURFACE QUALITY | |
| .X: ± .1 .XX: ± .02 .XXX: ± .005 | <input checked="" type="checkbox"/> MICROINCHES | DIMENSION RANGE IN INCHES (CHECK ONE) | |
| | | OVER 0 TO 0.2 | OVER 0.2 TO 1.2 |
| | | OVER 1.2 TO 4.0 | OVER 4.0 TO 12.0 |
| QUANTITY & VARIATION | | OVER 12.0 TO 40.0 | OVER 40.0 TO 60.0 |
| | | ±.02 | ±.03 |
| | | ±.004 | ±.008 |
| | | ±.012 | ±.016 |
| | | ±.024 | ±.04 |
| THIRD ANGLE PROJECTION | DRN G. DOUMANI | DATE 10-OCT-83 | TITLE digital |
| DO NOT SCALE DRAWING | CHK'D W. CLARK | DATE 15-JUN-84 | SHORTING PLUG ASSY |
| REMOVE BURRS AND BREAK SHARP CORNERS | DES. ENG. G. DOUMANI | DATE 10-OCT-83 | |
| MATERIAL SEE PARTS LIST | RESP. ENG. G. DOUMANI | DATE 10-OCT-83 | DOCUMENT NUMBER |
| FINISH NONE | MFG. ENG. JIM FAY | DATE 15-JUN-84 | SIZE CODE NUMBER REV. C IA 7021476-0-DBU A |
| | TOP DOC. C-1A-7021476-0-DBU | | SCALE 1/1 SHEET 1 OF 1 |

REV. A
NUMBER 1A 7021476-0-DBU
SIZE CODE C

| LINE ITEM | TOP DOCUMENT | PART NUMBER | MIN REV | DESCRIPTION | QTY PER VARIATION |
|-----------|--------------------|-------------|---------|--------------------------------|-------------------|
| 1 | D-MD-7429676-0-DBU | 7429676-01 | | COVER, SHORTING PLUG, MODEM | 1 |
| 2 | | 1214112-08 | | CONN,P+S 08POS(2X04).100CC HSG | 1 |
| 3 | B-MD-7428974-0-DBU | 7429874-01 | | TETHER,SHORTING PLUG | 1 |
| 4 | | 9107560-01 | | WIRE,BUSS 22AWG TIN BARE | 4 |
| 5 | | 1222940-01 | | CONN,P+S PIN 26-22AWG .4450D | 8 |

| REVISION HISTORY | | | BASIC PART NO: 7021476 | | | | | | | | | |
|------------------|------------|-----|-------------------------------|------------------|--------------------|----------------------|-------------------------------------|------------|------------|---|---|---|
| ENG | ECO NUMBER | REV | SECTION A OF A | DRN: | W. CLARK | DATE: 20-JUN-84 | D | I | S | T | A | L |
| --- | INITIAL | A | SECTION VARIATION INDEX (A)01 | CHK'D: | W. CLARK | DATE: 20-JUN-84 | TITLE PARTS LIST SHORTING PLUG ASSY | | | | | |
| | | | (B) | DES.ENG: | G. DOUMANI | DATE: 20-JUN-84 | DOCUMENT NUMBER | | | | | |
| | | | (C) | RESP.ENG.: | G. DOUMANI | DATE: 20-JUN-84 | SIZE:CODE: NUMBER | REV | | | | |
| | | | (D) | | | | 7021476-0-DBU | | | | | |
| | | | (E) | MFG.ENG.: | J. FAY | DATE: 20-JUN-84 | RELEASE DATE: 07-AUG-84 | | | | | |
| | | | (F) | ASSEMBLY NUMBER: | C-IA-7021476-0-DBU | TOP DOCUMENT NUMBER: | C-IA-7021476-0-DBU | FILE NAME: | 282998.PLE | | | |

"THIS DRAWING AND THE SPECIFICATIONS CONTAINED HEREIN ARE CONFIDENTIAL AND PROPRIETARY. THEY ARE THE PROPERTY OF DIGITAL EQUIPMENT CORPORATION AND SHALL NOT BE REPRODUCED OR COPIED OR USED IN WHOLE OR IN PART AS THE BASIS FOR THE MANUFACTURE OR SALE OF ITEMS WITHOUT WRITTEN PERMISSION. THIS IS AN UNPUBLISHED WORK PROTECTED UNDER THE FEDERAL COPYRIGHT LAWS."

| LINE | ITEM | TOP DOCUMENT | PART NUMBER | MIN REV | DESCRIPTION | QTY PER VARIATION | | | | |
|------|------|--------------|-------------|---------|------------------------------|---------------------------|----|----|----|----|
| | | | | | | 10 | 25 | 50 | A0 | B0 |
| | | | | | | VARIATION REVISION LEVEL: | | | | |
| | | | | | | A1 | A1 | | | |
| 1 | 1 | | 1700289-00 | | CABLE, ASSY, 25 COND. | 1 | - | - | - | - |
| 2 | 2 | | 1700289-01 | | CABLE, ASSY 25 COND. 25' LG | - | 1 | - | - | - |
| 3 | 3 | | 1700289-02 | | CABLE, ASSY 25 COND. 50' LG | - | - | 1 | - | - |
| 4 | 4 | | 1700289-03 | | CABLE, ASSY 25 COND. 100' LG | - | - | - | 1 | - |
| 5 | 5 | | 1700289-04 | | CABLE, ASSY 25 COND. 200' LG | - | - | - | - | 1 |

| REVISION HISTORY | | | BASIC PART NO: BCC04 | | DRN: | D. HEALY | DATE: | 6-JUL-82 | D I G I T A L | | | |
|------------------|-------------|-----|-------------------------|--|------------------|--|----------------------|--------------|-------------------------|------------|-----------------|-----|
| ENG | ECO NUMBER | REV | SECTION A OF A | | CHK'D: | D. HEALY | DATE: | 30-JUL-82 | TITLE PARTS LIST | | | |
| INITIAL | | A | SECTION VARIATION INDEX | | DES. ENG: | A. TUNNESON | DATE: | 30-JUL-82 | SIZE | CODE | DOCUMENT NUMBER | REV |
| JB | BCC04-ML001 | B | [A]10,25,50,A0,B0 | | RESP. ENG.: | A. TUNNESON <td>DATE:</td> <td>30-JUL-82</td> <td>K</td> <td>PL</td> <td>BCC04-0-DBP</td> <td>B</td> | DATE: | 30-JUL-82 | K | PL | BCC04-0-DBP | B |
| | | | [B] | | MFG. ENG.: | S. TOCMAN <td>DATE:</td> <td>30-JUL-82</td> <td colspan="3">RELEASE DATE: 01-FEB-84</td> <td></td> | DATE: | 30-JUL-82 | RELEASE DATE: 01-FEB-84 | | | |
| | | | [C] | | ASSEMBLY NUMBER: | K-PL-BCC04-0-DBP <td>TOP DOCUMENT NUMBER:</td> <td>#PC300-PC399</td> <td>FILE NAME:</td> <td>Z4979B.PLS</td> <td>EDIT #:</td> <td>2</td> | TOP DOCUMENT NUMBER: | #PC300-PC399 | FILE NAME: | Z4979B.PLS | EDIT #: | 2 |
| | | | [D] | | | | | | | | | |
| | | | [E] | | | | | | | | | |
| | | | [F] | | | | | | | | | |

"THIS DRAWING AND THE SPECIFICATIONS CONTAINED HEREIN ARE CONFIDENTIAL AND PROPRIETARY. THEY ARE THE PROPERTY OF DIGITAL EQUIPMENT CORPORATION AND SHALL NOT BE REPRODUCED OR COPIED OR USED IN WHOLE OR IN PART AS THE BASIS FOR THE MANUFACTURE OR SALE OF ITEMS WITHOUT WRITTEN PERMISSION. THIS IS AN UNPUBLISHED WORK PROTECTED UNDER THE FEDERAL COPYRIGHT LAWS."

H01

P A R T S L I S T

| LINE | ITEM | DOCUMENT NUMBER | PART NUMBER | DESCRIPTION | QUANTITY PER VARIATION | | | |
|------|------|-----------------|-------------|---------------------------------|------------------------|----|----|----|
| | | | | | 10 | 25 | 50 | A0 |
| 1 | 1 | | 1700300-00 | CABLE,PRINTER,ASSY 7COND 26AWG/ | 1 | - | - | - |
| 2 | 2 | | 1700300-01 | CABLE,ASSY 7COND. 25'LG | - | 1 | - | - |
| 3 | 3 | | 1700300-02 | CABLE,ASSY 7COND. 50'LG | - | - | 1 | - |
| 4 | 4 | | 1700300-03 | *** THIS ITEM IS NOT USED *** | - | - | - | - |

| | | | | | | | | | | |
|---|------------|----------------------|--|--------------------------------------|--------------------------------------|------------------|------|--------------------------|--------|---|
| REVISION HISTORY | | BASIC PART NO: BCC05 | | DRN: D. HEALY | DATE: 6-JUL-82 | D I G I T A L | | | | |
| ENG: | ECO NUMBER | REV | SECTION A OF A | CHK'D: D. HEALY | DATE: 30-JUL-82 | TITLE PARTS LIST | | | | |
| | INITIAL | A | SECTION VARIATION INDEX [A] 10,25,50,A0 | DES.ENG.: A. TUNNESON | DATE: 30-JUL-82 | CABLE, PRINTER | | | | |
| | | | [B] | RESP.ENG.: A. TUNNESON | DATE: 30-JUL-82 | DOCUMENT NUMBER | | | | |
| | | | [C] | MFG.ENG.: S. TOCMAN | DATE: 30-JUL-82 | SIZE | CODE | NUMBER | REV | |
| | | | [D] | ASSEMBLY NUMBER: K-PL-BCC05-0-DBP | TOP DOCUMENT NUMBER: #PC200-PC399 | K | PL | BCC05-0-DBP | A | |
| | | | [E] | | | | | FILE NAME: Z4980A.PLS | EDIT # | 4 |
| | | | [F] | | | | | | | |
| <p>"THIS DRAWING AND SPECIFICATIONS HEREIN, ARE THE PROPERTY OF DIGITAL EQUIPMENT CORPORATION AND SHALL NOT BE REPRODUCED OR COPIED OR USED IN WHOLE OR IN PART AS THE BASIS FOR THE MANUFACTURE OR SALE OF ITEMS WITHOUT WRITTEN PERMISSION. COPYRIGHT (C) 1982. DIGITAL EQUIPMENT CORPORATION "</p> | | | | | | | | | | |

| LINE | ITEM | DOCUMENT NUMBER | PART NUMBER | DESCRIPTION | QUANTITY PER VARIATION |
|------|------|-----------------|-------------|-----------------------------|------------------------|
| 1 | 1 | | 1700294-00 | CABLE, ASSY, CT150 KEYBOARD | 06 1 |

| | | | | | | | |
|------------------|------------|----------------------|-------------------------|-------------------------|----------------------|----------------------|-------------|
| REVISION HISTORY | | BASIC PART NO: BCC01 | | DRN: D. HEALY | DATE: 6-JUL-82 | D I G I T A L | |
| ENG | ECC NUMBER | REV | SECTION A OF A | CHK'D: D. HEALY | DATE: 30-JUL-82 | TITLE PARTS LIST | |
| | INITIAL | A | SECTION VARIATION INDEX | | | CABLE, LK201 | |
| | | | [A] 06 | | | DOCUMENT NUMBER | |
| | | | [B] | DES. ENG.: A. TUNNESON | DATE: 30-JUL-82 | | |
| | | | [C] | RESP. ENG.: A. TUNNESON | DATE: 30-JUL-82 | SIZE CODE NUMBER REV | |
| | | | [D] | | | | |
| | | | [E] | MFG. ENG.: S. TOCMAN | DATE: 30-JUL-82 | K PL | BCC01-0-DBP |
| | | | [F] | ASSEMBLY NUMBER: | TOP DOCUMENT NUMBER: | FILE NAME: EDIT | |
| | | | | K-PL-BCC01-0-DBP | #PC100-PC399 | Z4977A.PLS | |

THIS DRAWING AND SPECIFICATIONS HEREIN, ARE THE PROPERTY OF DIGITAL EQUIPMENT CORPORATION AND SHALL NOT BE REPRODUCED OR COPIED OR USED IN WHOLE OR IN PART AS THE BASIS FOR THE MANUFACTURE OR SALE OF ITEMS WITHOUT WRITTEN PERMISSION.
COPYRIGHT (C) 1982, DIGITAL EQUIPMENT CORPORATION "

THIS DRAWING AND SPECIFICATIONS, HEREIN, ARE THE PROPERTY OF DIGITAL EQUIPMENT CORPORATION AND SHALL NOT BE REPRODUCED OR COPIED OR USED IN WHOLE OR IN PART AS THE BASIS FOR THE MANUFACTURING OR SALE OF ITEMS WITHOUT WRITTEN PERMISSION.
 COPYRIGHT © 1985 DIGITAL EQUIPMENT CORPORATION

COMPONENT SIDE VIEW

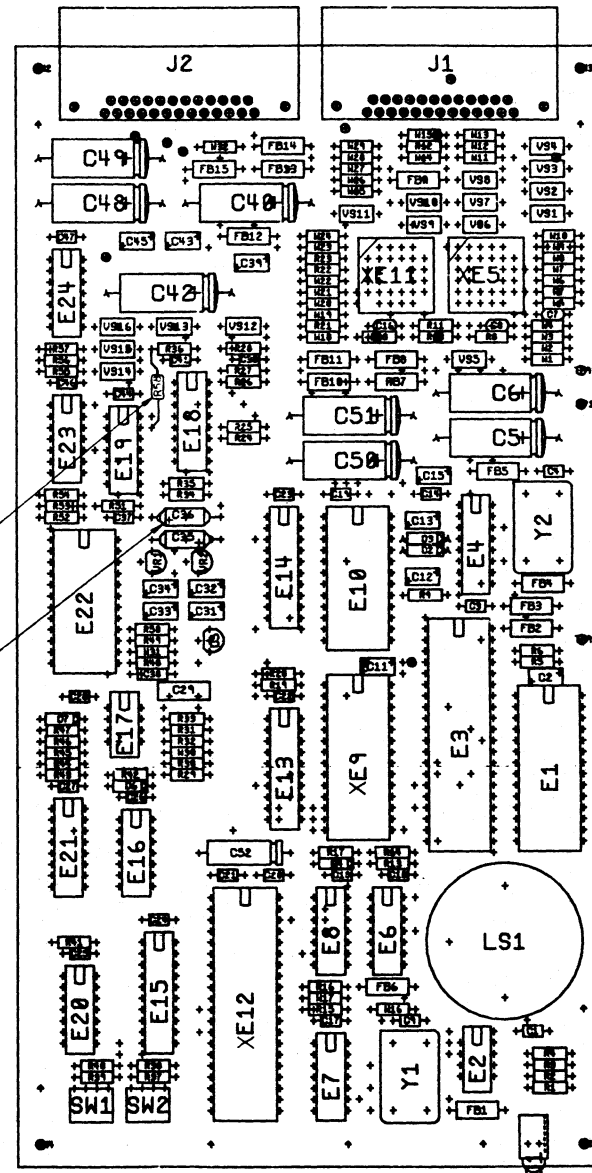
| JUMPER CONFIGURATION | |
|----------------------|---------------|
| INSTALLED | NOT INSTALLED |
| W2 | W1 |
| W4 | W3 |
| W5 | W6 |
| W7 | W9 |
| W8 | W10 |
| W12 | W11 |
| W14 | W13 |
| W15 | W17 |
| W16 | W20 |
| W18 | W22 |
| W19 | W24 |
| W21 | W27 |
| W23 | W30 |
| W25 | W32 |
| W26 | |
| W28 | |
| W29 | |
| W31 | |

REWORK INSTRUCTIONS

ECO # 5416327-NU001

COMPONENT ADDS

I-1 ADD R53 PIN 1 TO LEFT SIDE PIN OF R36 AND R53 PIN 2 TO PTH TO RIGHT OF E19 PIN 13.



I-1
 SEE NOTE 2

NOTES:

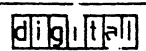
- USE STEP AND REPEAT 2AC43
- CH 12 RE-LOCATED WITH LEFT PIN OF R53, BEING THE "+" SIDE AND THE RIGHT PIN BEING THE "-" SIDE.

| | | | | | |
|--------|--------|-------|------|---|-------|
| STEP | Y AXIS | 10.00 | STEP | 0 | TIMES |
| REPEAT | X AXIS | 5.20 | STEP | 3 | TIMES |

| CHK | CHANGE NO | REV | DATE | BY | APP |
|-----|-----------|-----|------|----|-----|
| | | | | | |
| | | | | | |

| |
|--------------|
| ETCH REV: A2 |
|--------------|

| SIGNATURES | | DATE |
|------------------------------------|-----------|-------------|
| DRN: S. CHILYPANKA | | |
| CHK D: D. DIPERRI | | |
| MECH ENG: P. ARAM | | |
| PROJ ENG: P. ARAM | | |
| PROD ENG: <i>[Signature]</i> | | |
| SCALE 1.5 / 1 | SIZE CODE | NUMBER |
| SHEET 1 OF 1 | D UA | 5416327-1-0 |
| NEXT HIGHER ASSY: 0-00-5416327-1-0 | | REV |



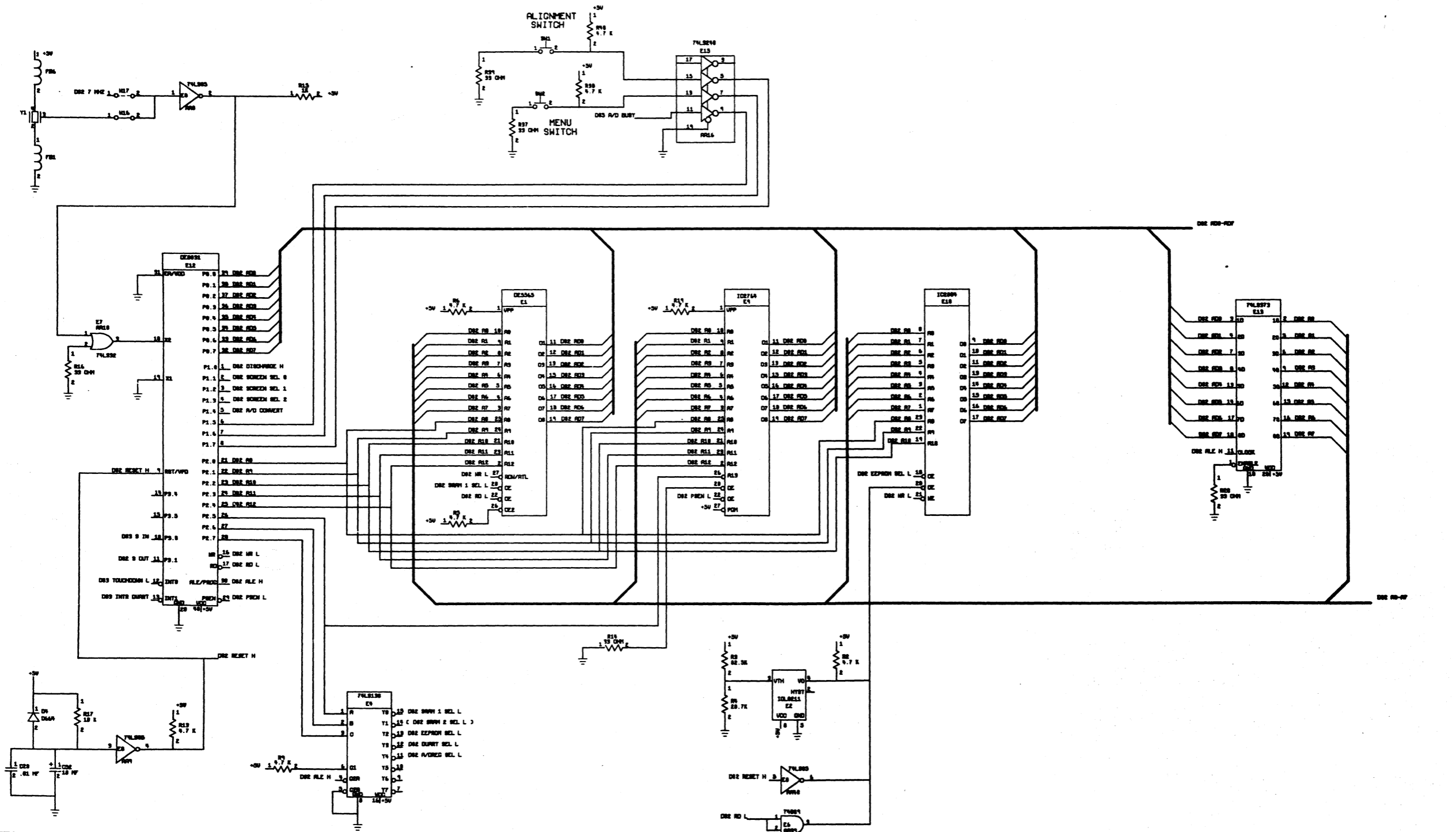
TITLE: TOUCH TERM INTERFACE

DUA 5416327-1-0

THIS DRAWING AND SPECIFICATIONS, HEREIN, ARE THE PROPERTY OF GEORGIA ELECTRIC COMPANY. NO PART OF THIS DRAWING OR SPECIFICATIONS IS TO BE REPRODUCED OR TRANSMITTED IN ANY FORM OR BY ANY MEANS, ELECTRONIC OR MECHANICAL, INCLUDING PHOTOCOPYING, RECORDING, OR BY ANY INFORMATION STORAGE AND RETRIEVAL SYSTEM. COMPANY © 1983

D
C
B
A

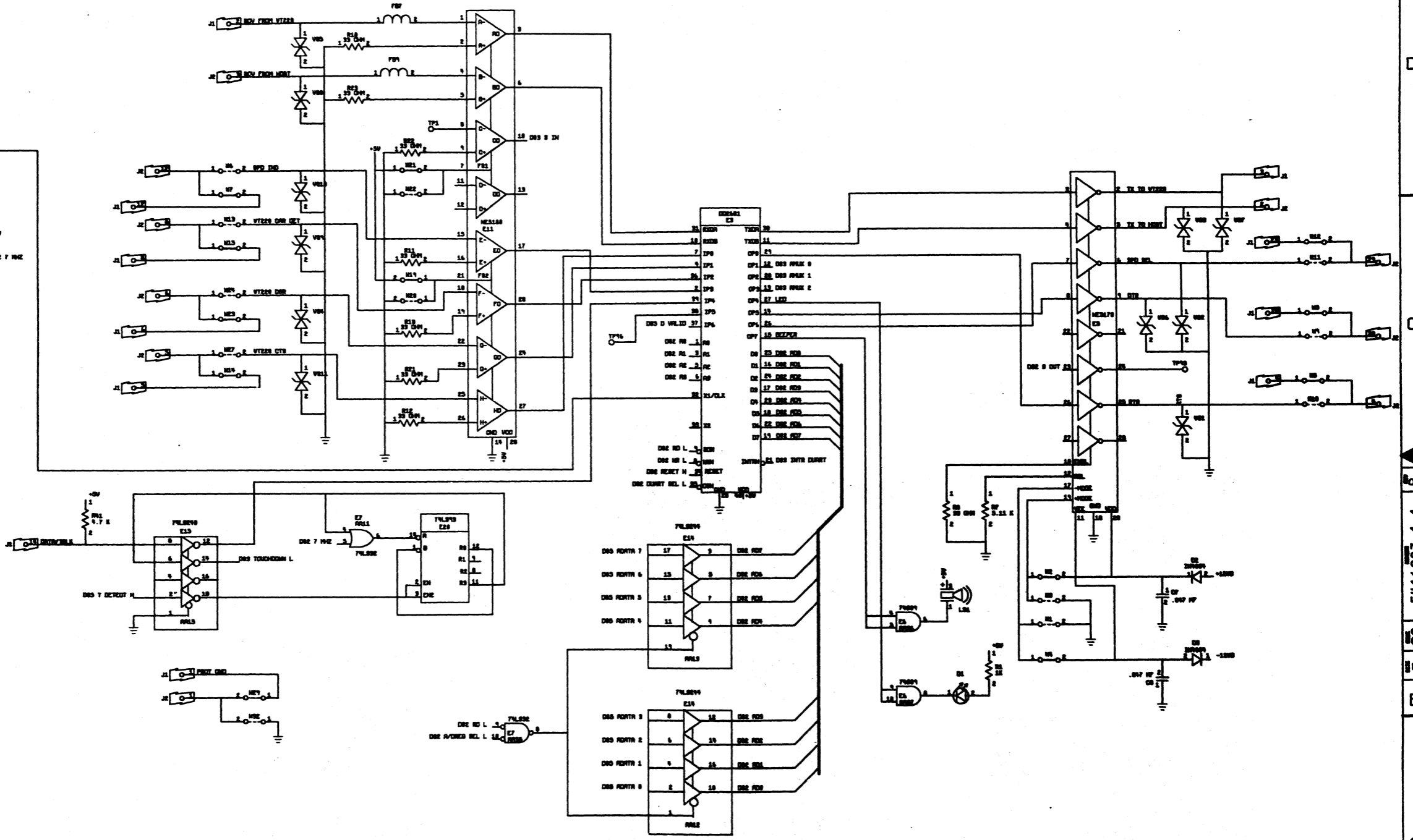
D
C
B
A



| DR | DR NO. | REV |
|----|--------|-----|
| | | |

THIS DRAWING AND INSTRUMENTATION, HEREIN, ARE THE PROPERTY OF CONTROL SYSTEMS CORPORATION AND SHALL NOT BE REPRODUCED OR COPIED IN WHOLE OR IN PART, NOR IN ANY MANNER FOR THE PROPRIETARY OR SALE OF ANY OTHER PARTY WITHOUT PERMISSION.
 APPROVED: 1985 CONTROL SYSTEMS CORPORATION

8 7 6 5 4 3 2 1



| REV | DATE | BY |
|-----|------|----|
| | | |

TITLE TOUCH TERMINAL INTERFACE
 D CS 5416327-1-1 B
 NONE 3 5

8 7 6 5 4 3 2 1

8

7

6

5

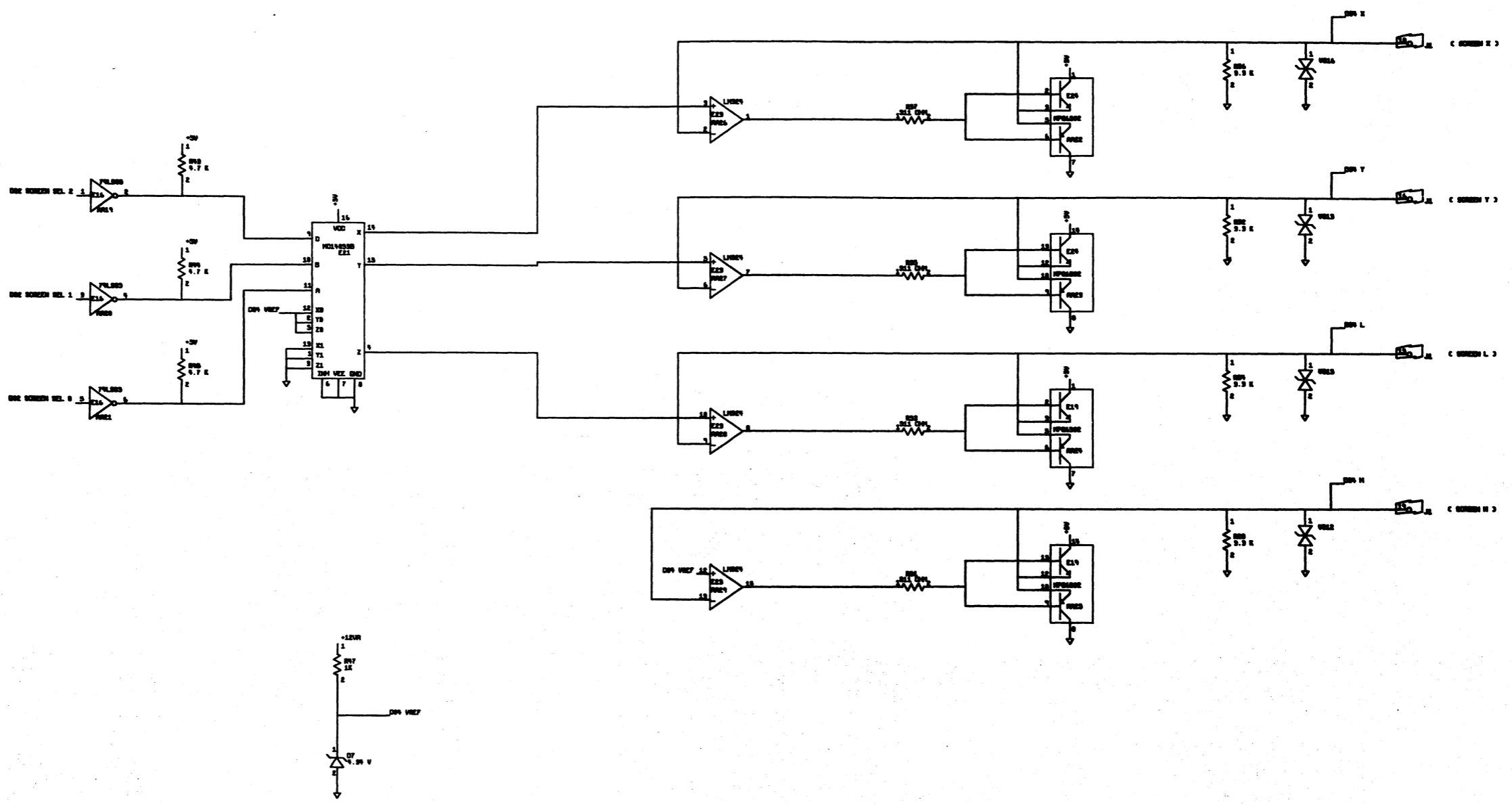
4

3

2

1

THIS DRAWING IS UNCLASSIFIED, EXCEPT FOR THE
 PORTION OF SCHEMATIC DRAWINGS CONTAINING THE
 NAME OF THE PERSON OR COMPANY TO WHOM IT
 RELATES AND THE REASON FOR THE RESTRICTION OF THIS
 PORTION OF THE DRAWING.
 DATE 08-19-83 BY 4883/UC/STP



| | | |
|-----|------|----|
| REV | DATE | BY |
| | | |

8

7

6

5

4

3

2

1

TITLE TOUCH TERMINAL INTERFACE

| | |
|-----------|----------------|
| REV D | CS 5416327-1-1 |
| DATE NONE | REV 4 of 5 |

5416327-1-1

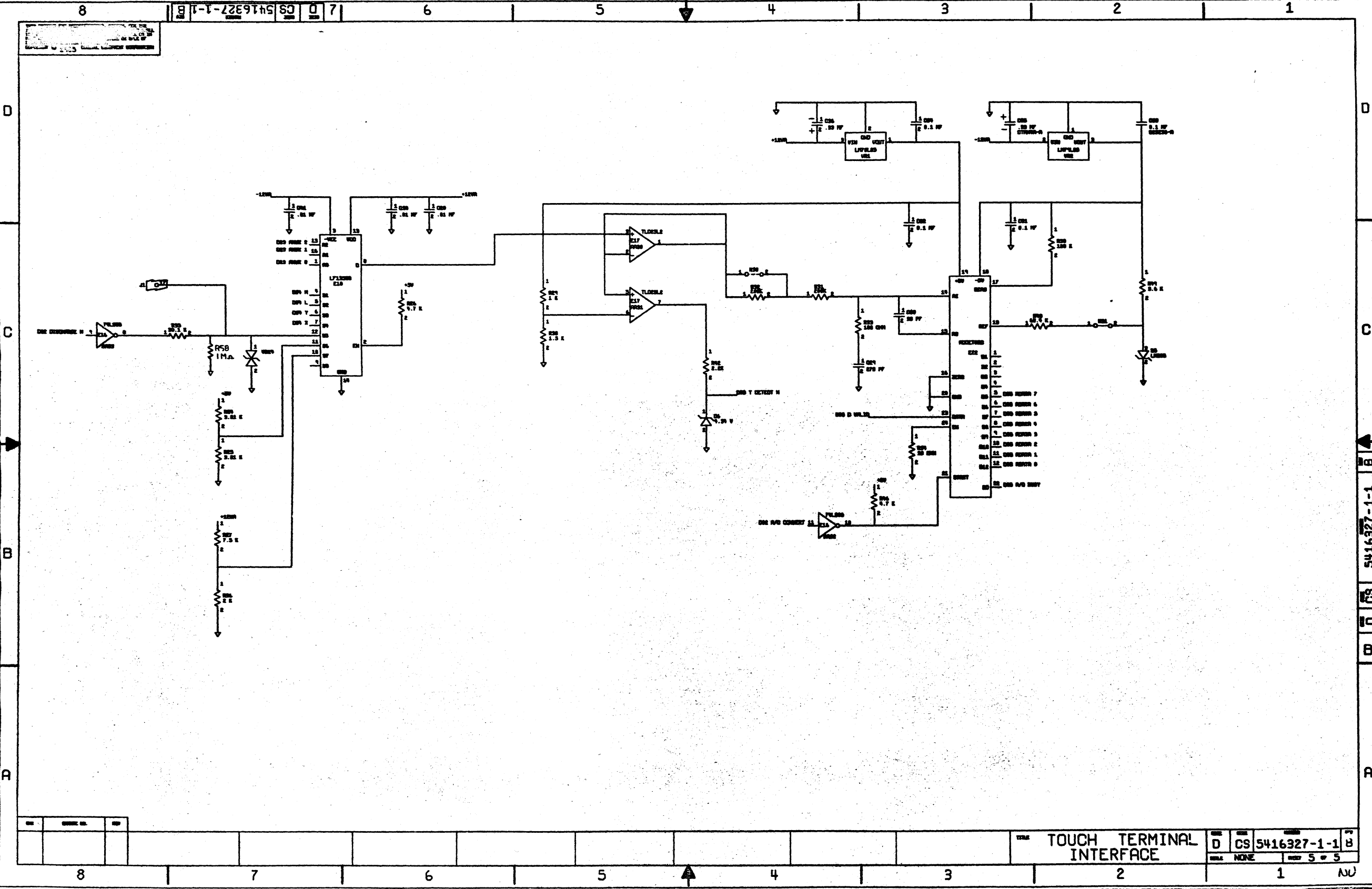
CS

B

B

A

NV



8 7 6 5 4 3 2 1

D
C
B
A

D
C
B
A

CS 5416327-1-1 B

8 7 6 5 4 3 2 1 AU

| LINE ITEM | TOP DOCUMENT | PART NUMBER | MIN REV | DESCRIPTION | QTY PER VAR/REV | REFERENCE DESIGNATORS |
|-----------|--------------------|-------------|---------|----------------------------------|-----------------|---|
| 1 | 1 D-MD-5015326-1-0 | 50-16326-01 | | CIRCUIT DRILL AND ETCH 5416327 | 1 | |
| 2 | 2 | 10-00902-04 | .33 | MFD 35V 10% S.TANT | 2 | C35,C36 |
| 3 | 3 | 10-00022-00 | | 270.0 MFD 100V 5%200PPM MICA | 1 | C29 |
| 4 | 4 | 10-01610-00 | .01 | MMF 50V +80-20% 25U CER | 24 | C1,C3,C4,C9,C10,C14,C17-C28, C37,C38,C41,C44,C46,C47 |
| 5 | 5 | 10-10978-36 | .1 | MFD 50V 10% CER | 12 | CONT C2,C11-C13,C15,C31-C34,C39,C43, CONT C45 |
| 6 | 6 | 10-12784-00 | .047 | MFD 50V +80-20% CER | 3 | C7,C8,C16 |
| 7 | 7 | 10-13466-04 | 33.0 | MMF 50V 5% CER | 1 | C30 |
| 8 | 8 | 10-14052-00 | 100 | MFD 25V+100-10% AL EL | 4 | C42,C48,C50,C51 |
| 9 | 9 | 10-20446-08 | 220 | MFD 10V +50-10% AL EL | 4 | C5,C6,C40,C49 |
| 10 | 10 | 11-00114-00 | | PIV= 25 IO=135 MA | 1 | D4 |
| 11 | 11 | 11-05796-00 | | PIV= 400 IO= 1.00A 1N4004 DO-41 | 2 | D2,D3 |
| 12 | 12 | 11-05871-02 | | VZ= 4.3 1% 250 MW | 2 | D6,D7 |
| 13 | 13 | 11-17373-02 | | LED ASSY,YELLOW | 1 | D1 |
| 14 | 14 | 11-25103-01 | | TRANSZORB SA10CA | 5 | VS12-VS16 |
| 15 | 15 | 11-25508-01 | | TRANSORB SA20C 10% | 11 | VS1-VS11 |
| 16 | 16 | 12-11357-00 | | CONN,D SUB 25PIN ASSY RT ANGLE P | 1 | J2 |
| 17 | 17 | 12-11358-00 | | CONN,D SUB 25PDS ASSY RT ANGLE P | 1 | J1 |
| 18 | 18 | 12-12385-00 | | SKT,IC 40PIN DIP GOLD SOLD | 1 | XE12 |
| 19 | 19 | 12-12385-03 | | SKT,IC 28PIN DIP GOLD SOLD | 1 | XE9 |
| 20 | 20 | 12-25075-01 | | SKT,IC 28PIN GOLD PC MNT | 2 | XE5,XE11 |
| 21 | 21 | 12-18945-00 | | SW,PB,LT 1PST NO-MOMENTARY .25A | 2 | SM1,SM2 |
| 22 | 22 | 12-19918-01 | | SKT,SWITCH 4PIN RT ANGLE | 2 | XSM1,XSM2 |
| 23 | 23 | 12-24603-01 | | ALARM,CONTINUOUS,3-20V TO 1-20V | 1 | LS1 |
| 24 | 24 | 13-00197-00 | | 33.0 .25 W 5.0 % CF | 14 | R9,R10-R12,R14,R16,R18,R20-R23, CONT R34,R37,R39 |
| 25 | 25 | 13-00229-00 | 100.0 | .25 W 5.0 % CF | 1 | R33 |
| 26 | 26 | 13-00439-00 | 3.30 K | .25 W 5.0 % CF | 4 | R28,R52,R54,R56 |
| 27 | 27 | 13-00447-00 | 4.70 K | .25 W 5.0 % CF | 14 | R2,R5,R6,R9,R13,R19,R26,R38, CONT R40,R41,R43-R46 |
| 28 | 28 | 13-01980-00 | 1.50 K | .25 W 1.0 % RN55C-F 5 | 1 | R30 |

| REVISION HISTORY | | KPL MODULE FORMAT | | SECTION A OF AIDRN: | S. CHLYPAWKA | D I G I T A L | | |
|------------------|----------------|-------------------|-------------------------|---------------------|-------------------|--------------------------|---------------|--------|
| ENG1 | ECO NUMBER | REV | SECTION/VARIATION INDEX | DATE: | 28-AUG-85 | | | |
| 1 | INITIAL | A | [CA] 01 [CM] | CHK'D: | D. DIPERRI | TITLE PARTS LIST | | |
| 1 | 15416327-NU001 | B | [CB] [CN] | DATE: | 28-AUG-85 | TOUCH TERMINAL INTERFACE | | |
| 1 | | | [CC] [CP] | DES.ENG: | P. ARAM | | | |
| 1 | | | [CD] [CQ] | DATE: | 28-AUG-85 | DOCUMENT NUMBER | | |
| 1 | | | [CE] [CR] | RESP.ENG.: | P. ARAM | SIZE/ | CODE/ | NUMBER |
| 1 | | | [CF] [CS] | DATE: | 28-AUG-85 | PL | 5416327-1-089 | REV |
| 1 | | | [CG] [CT] | MFG.ENG: | A. ELLIS | RELEASE DATE: 10-MAR-86 | | |
| 1 | | | [CH] [CV] | DATE: | 28-AUG-85 | RELEASE STATUS: RELEASED | | |
| 1 | | | [CI] [CW] | | | | | |
| 1 | | | [CJ] [CX] | | | | | |
| 1 | | | [CK] [CY] | | | | | |
| 1 | | | [CL] | | | | | |
| 1 | | | | BASIC PART NUMBER: | ASSEMBLY NUMBER: | TOP DOCUMENT NUMBER: | FILE NAME: | EOIT # |
| 1 | | | | 5416327 | 10-UA-5416327-1-0 | 10-DD-5416327-1-0 | 10U163279.PLS | 2 |

"THIS DRAWING AND THE SPECIFICATIONS CONTAINED HEREIN ARE CONFIDENTIAL AND PROPRIETARY. THEY ARE THE PROPERTY OF DIGITAL EQUIPMENT CORPORATION AND SHALL NOT BE REPRODUCED OR COPIED OR USED IN WHOLE OR IN PART AS THE BASIS FOR THE MANUFACTURE OR SALE OF ITEMS WITHOUT WRITTEN PERMISSION. THIS IS AN UNPUBLISHED WORK PROTECTED UNDER THE FEDERAL COPYRIGHT LAWS."

NU

| LINE ITEM | TOP DOCUMENT | PART NUMBER | MIN REV | DESCRIPTION | QTY | PER VAR/REV | REFERENCE DESIGNATORS |
|-----------|--------------|-------------|---------|----------------------------------|-----|-------------|---|
| | | | | | 01 | | |
| | | | | | A1 | | |
| 29 | 29 | 13-02411-00 | 511.0 | .25 W 1.0 % RN55D-F10 | 4 | | R51,R53,R55,R57 |
| 30 | 30 | 13-02715-00 | 2.0 K | .25 W 1.0 % RN55C-F 5 | 1 | | R36 |
| 31 | 31 | 13-02466-00 | 100.0 K | .25 W 5.0 % CF | 1 | | R50 |
| 32 | 32 | 13-03114-00 | 1.0 K | .25 W 1.0 % RN55D-F10 | 4 | | R1,R15,R29,R47 |
| 33 | 33 | 13-04854-00 | 5.11 K | .25 W 1.0 % RN55D-F10 | 1 | | R7 |
| 34 | 34 | 13-05336-00 | 200.0 K | .25 W 1.0 % RN55D-F10 | 2 | | R31,R32 |
| 35 | 35 | 13-05322-00 | 7.50 K | .25 W 1.0 % RN55D-F10 | 1 | | R27 |
| 36 | 36 | 13-13343-00 | 28.70 K | .25 W 1.0 % RN55D-F10 | 1 | | R4 |
| 37 | 37 | 13-10636-00 | 82.50 K | .25 W 1.0 % RN55D-F10 | 1 | | R3 |
| 38 | 38 | 13-11594-00 | 30.10 K | .25 W 1.0 % RN55D-F10 | 1 | | R35 |
| 39 | 39 | 13-13151-00 | 3.60 K | .25 W 5.0 % CF | 1 | | R49 |
| 40 | 40 | 13-13152-00 | 60.40 K | .25 W 1.0 % RN55D-F10 | 1 | | R48 |
| 41 | 41 | 13-14041-00 | 3.01 K | .25 W 1.0 % RN55D-F10 | 2 | | R24,R25 |
| 42 | 42 | 15-22263-01 | | NPN-PNP ARRAY QUAD 14PIN DTP | 2 | | E19,E24 |
| 43 | 43 | 15-18238-02 | | BEAD,FERRITE .1380DX.330LG | 15 | | F31-F315 |
| 44 | 44 | 19-11660-01 | | OSCILLATOR, XTAL 10.000 MHZ | 1 | | Y1 |
| 45 | 45 | 18-20210-01 | | OSCILLATOR, XTAL 7.372883.68 | 1 | | Y2 |
| 46 | 46 | 19-12107-00 | | 324 OP AMP,QUAD | 1 | | E23 |
| 47 | 47 | 19-12804-00 | | LS05 INVERTER GATE-HEX 11 | 2 | | E8,E16 |
| 48 | 48 | 19-12816-00 | | LS32 OR GATE-QUAD ZIN,PDS | 1 | | E7 |
| 49 | 49 | 19-12842-00 | | LS138 DECODER-THREE INPUT | 1 | | E4 |
| 50 | 50 | 19-13777-00 | | LS240 DRIVER,LINE,OCAL,TR | 1 | | E15 |
| 51 | 51 | 19-13949-00 | | LS93 COUNTER,DECADE,4BIT | 1 | | E20 |
| 52 | 52 | 19-14888-00 | | 74S09N AND-GATE-QUAD ZINPUT | 1 | | E6 |
| 53 | 53 | 19-15193-00 | | LS244 DRIVER,LINE,OCAL,TR | 1 | | E14 |
| 54 | 54 | 19-15219-00 | | LS373 FF-D OCTAL-TRANSPARE | 1 | | E13 |
| 55 | 55 | 19-18177-00 | | 78L05AC VOLT REG,FIX +5V | 1 | | VR1 |
| 56 | 56 | 19-19421-01 | | 79L05 VOLT REG -5V | 1 | | VR2 |
| 57 | 57 | 19-23889-01 | | EIA OCTAL LINE DRIVE | 1 | | E5 |
| 58 | 58 | 19-23890-01 | | EIA OCTAL LINE RECEI | 1 | | E11 |
| 59 | 59 | 19-24723-01 | LM | 385-1.2 VOLT REF 1.2V | 1 | | D5 |
| 60 | 60 | 19-24835-01 | | VOLT REG 0.5T030 | 1 | | E2 |
| 61 | 61 | 21-20063-01 | | 2681 REC./TRANS.,ASYNCR,0 | 1 | | E3 |
| 62 | 62 | 21-20115-01 | | 8031C MICROPROCESSOR W/D P | 1 | | E12 |
| 63 | 63 | 21-21384-02 | | RAM 8KX3,STATIC 150 | 1 | | E1 |
| 64 | 64 | 21-23563-01 | | MULTIPLEXER,8 CHANNE | 1 | | E18 |
| 65 | 65 | 21-24724-01 | | CONVERTER,A/D TO 12BIT | 1 | | E22 |
| 66 | 66 | 21-24906-01 | | TLC25L2-C OPERATIONAL ANPL | 1 | | E17 |
| 67 | 67 | 23-4 -06 | | 8192X 8 , EPROM, | 1 | | E9 |
| 68 | 68 | 23-N2 -02 | | 512X 8 ,TTL, EPROM | 1 | | E10 |
| 69 | 69 | 90-09185-00 | | JUNPER, WIRE, INSULATED, BLACK B | 18 | | W2,W4,W5,W7,W8,W12,W14-W16,W19, CONT W19,W21,W23,W25,W26,W28,W29,W31 |
| 70 | 70 | 13-00417-00 | 2.20 K | .25 W 5.0 % CF | 1 | | R42 |
| 71 | 71 | 10-17472-00 | 10 MFD | 35V-475-10% AL EL | 1 | | C52 |
| 72 | 72 | 12-15243-00 | | SCREW,ASSY HEXWM FEMALE | 4- | | XJ1,XJ2 |
| 73 | 73 | 13-00479-00 | 10.0 K | .25 W 5.0 % CF | 1 | | R17 |
| 74 | 74 | 21-13946-00 | | 4053B MULTIPLEXER 2CHAN CM | 1 | | E21 |
| 75 | 75 | 90-06002-01 | | SCREW,MACH PAN PHIL 2- | 4 | | |
| 76 | 76 | 90-06556-00 | | NUT,HEX 4-40X .264AF SS/N | 4 | | |
| 77 | 79 | 13-09595-00 | 1.0 M | .25 W 5.0 % CF | 1 | | R58 |

| Q | I | S | I | T | A | L | TITLE | SECTION A | OF A | SIZE | CODE | DOCUMENT NUMBER | REV |
|---|---|---|---|---|---|---|--------------------------|-----------|------|------|------|-----------------|-----|
| | | | | | | | TOUCH TERMINAL INTERFACE | | | K | PL | 5416327-1-08P | 8 |

NW