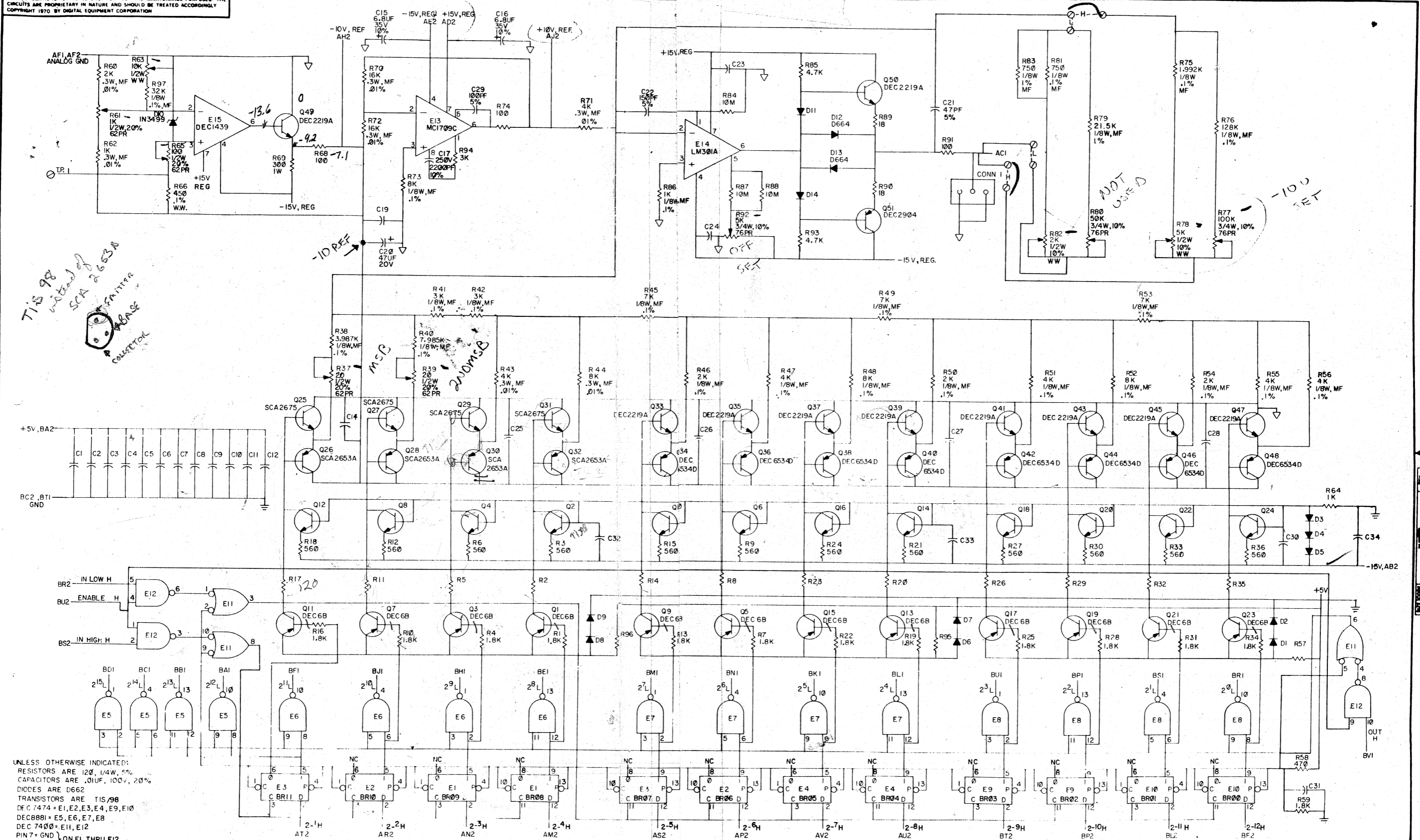


THIS SCHEMATIC IS FURNISHED ONLY FOR TEST AND MAINTENANCE PURPOSES. THE CIRCUITS ARE PROPRIETARY IN NATURE AND SHOULD BE TREATED ACCORDINGLY. COPYRIGHT 1970 BY DIGITAL EQUIPMENT CORPORATION

3 1-0-419W 53 D
A3M 1/8W 1/15



UNLESS OTHERWISE INDICATED:
 RESISTORS ARE 1/2W, 1/4W, 5%
 CAPACITORS ARE .01UF, 100V, 20%
 DIODES ARE D662
 TRANSISTORS ARE TIS/98
 DEC 7474 = E1, E2, E3, E4, E9, E10
 DEC 8881 = E5, E6, E7, E8
 DEC 7400 = E11, E12
 PIN 7 = GND ON E1 THRU E12
 PIN 14 = +5V
 --- CUSTOMER OPTION, DO NOT INSERT
 ▽ ANALOG GND
 SHIELD IS TIED TO ANALOG GND

○ SPLIT LUG
 CONNECTOR ONE (1) IS A 1209456

REV	DATE	BY	CHK
1	9-30-70	WJ	WJ
2	10-10-70	WJ	WJ

TRANSISTOR & DIODE CONVERSION CHART			
DEC	EIA	DEC	EIA
D662	1N645	DEC 6534D	MP 6534
D664	1N3606	SCA 2653A	SAME
TIS/98	1N3499	SCA 2675	SAME
DEC 2904	SAME	TIS/98	SAME
DEC 2219A	2N2219	DEC 6B	NONE

digital EQUIPMENT CORPORATION
 TITLE: 12 BIT BI POLAR DAC CONVERTER AG14
 SIZE: D CS NUMBER: AG14-0-1 REV: C
 PRINTED CIRCUIT REV: D

1157-324, 1-11-4353

5 PINK-